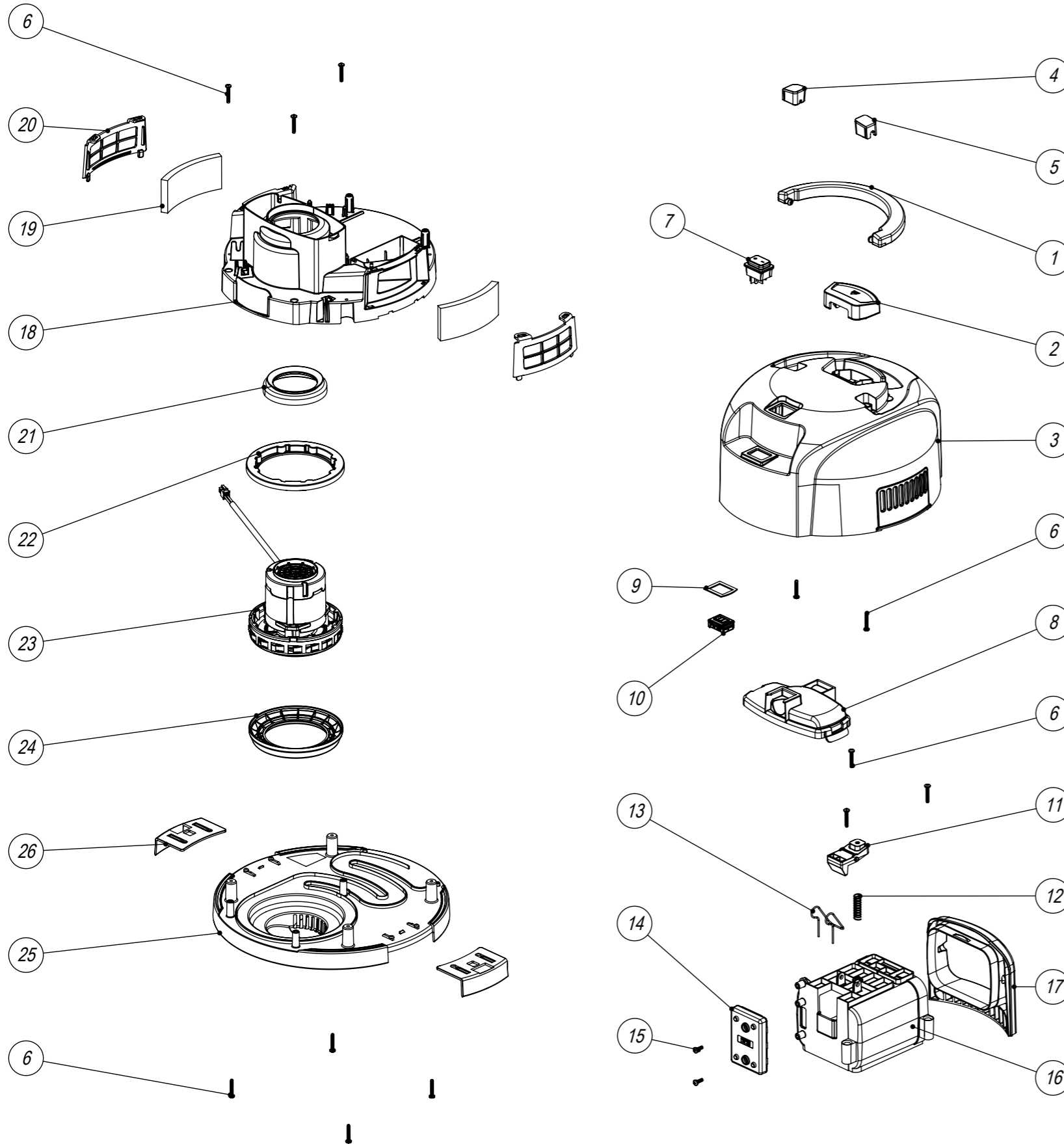


Numatic International Spare Parts

Model No: CORDLESS WET AND DRY - EXPLODED DRAWING

NB: FOR WIRING SEE DRAWING: DRW-39322 (915401)

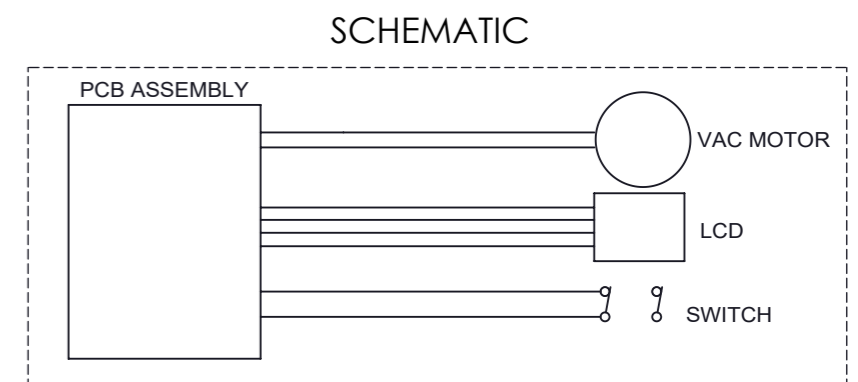
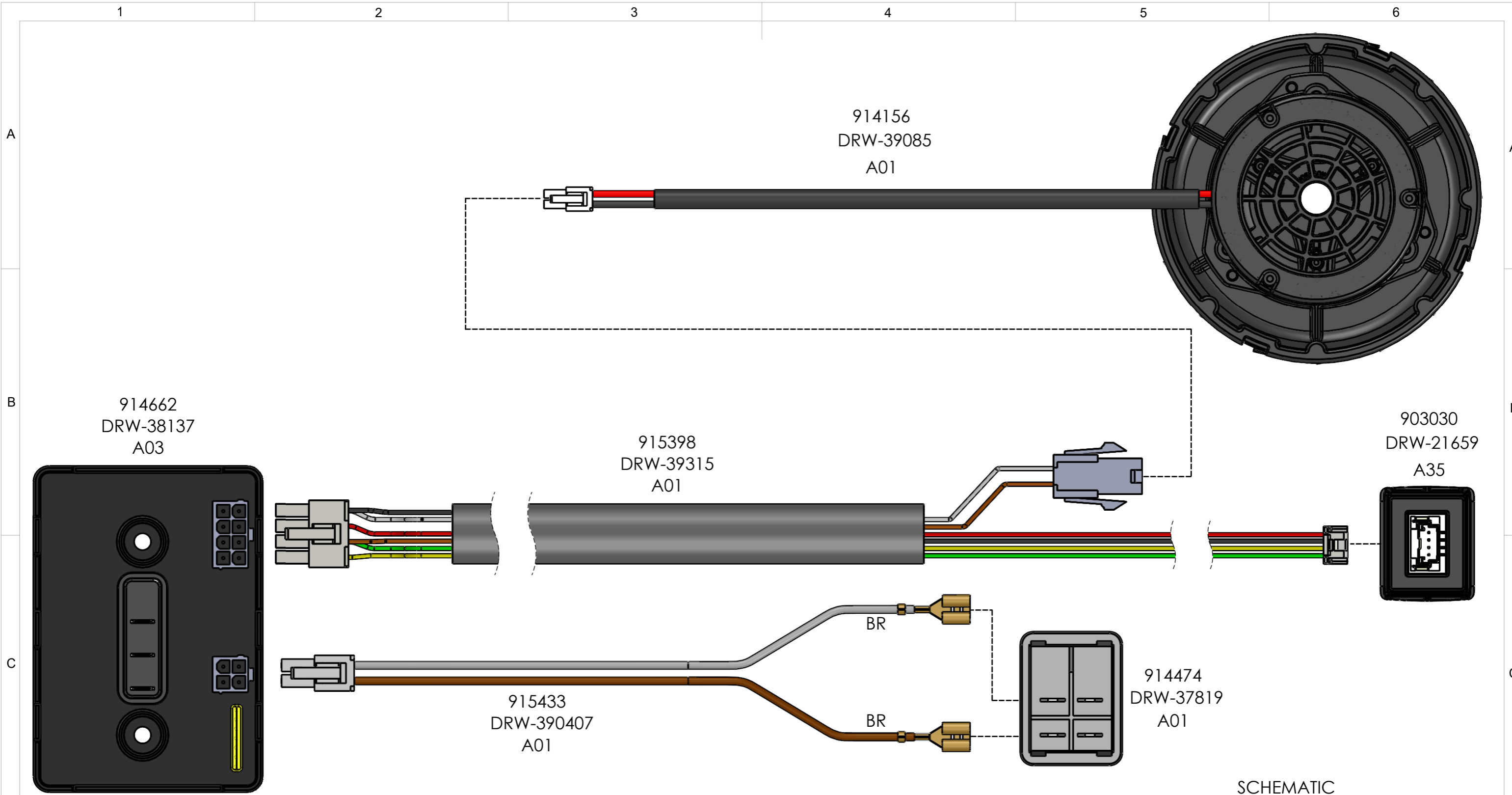
914994
DRAWING: DRW-37911 ISS:A05
09/06/2022



Numatic International Spare Parts

Model No: CORDLESS WET AND DRY - EXPLODED DRAWING

ITEM NO.	PART NUMBER	DESCRIPTION	QTY	COMMENTS:
1	227120	HANDLE - HVR/HET/NRV	1	
2	914934	EJECT BUTTON - CORDLESS WET AND DRY	1	
3	914932	COVER - CORDLESS WET AND DRY (WITHOUT PUMP CUT OUT)	1	
4	915377	HANDLE RETAINER - LH	1	
5	915378	HANDLE RETAINER - RH	1	
6	219369	No8 X 1 INCH LONG POZI PAN STAINLESS STEEL PLASTITE SCREW	12	TORQUE TO 2.6Nm ±0.15
7	914474	GREEN / BLACK EVEREL (NON ILLUMINATED) 125V / 250V ON/OFF ROCKER SWITCH	1	
8	914930	TOP MOTOR COVER - CORDLESS WET AND DRY	1	
9	291015	SWITCH GASKET - WV/CT	1	
10	903030	LED BATTERY LIFE INDICATOR WITH PCB	1	
11	914929	BATTERY LATCH - CORDLESS WET AND DRY	1	
12	216465	11MM COIL SPRING	1	
13	216655	BATTERY RELEASE SPRING	1	
14	914662	CORDLESS RUCKSACK PCB ASSEMBLY	1	
15	219569	No8 X 1/2 INCH LONG POZI PAN STAINLESS STEEL PLASTITE SCREW	2	TORQUE TO 2.6Nm ±0.15
16	914928	BATTERY HOUSING - CORDLESS WET AND DRY	1	
17	915363	REAR PANEL - CORDLESS WET AND DRY	1	
18	914927	TOP MOTOR HOUSING - CORDLESS WET AND DRY	1	
19	914989	EXHAUST FOAM - CORDLESS WET AND DRY	2	
20	914935	FOAM RETAINER - CORDLESS WET AND DRY	2	
21	914926	TOP GASKET - CORDLESS WET AND DRY	1	
22	914925	MID GASKET - CORDLESS WET AND DRY	1	
23	914156	CINDERSON BYPASS MOTOR ASSEMBLY (36V DC 400W)	1	
24	914924	BOTTOM MOTOR GASKET - CORDLESS WET AND DRY	1	
25	914922	BOTTOM MOTOR HOUSING - CORDLESS WET AND DRY	1	
26	237115	NRV HARD EDGE TOGGLE	2	



Wire Colours: BK-BLACK, BL-BLUE, BR-BROWN, RD-RED, GR-GREEN, GY-GREEN/YELLOW, OR-ORANGE, SL-SLATE, YL-YELLOW

Qualification of alternative supplier components upon submission of appropriate data sheets and approvals documentation ASSEMBLY TO BE RoHS COMPLIANT		DIMENSIONS IN MILLIMETERS	TOLERANCES +10 / -5 mm UNLESS OTHERWISE STATED	PRINT SIZE A3 NOT TO SCALE	Class:	Cable Eye Plate: ---	Special Approvals Req.:	Numatic International Limited	TITLE: WIRING DIAGRAM.VACUUM.1S.BT.36.1SDAF.400.1.12.IBT		
CHANGE DETAIL: NEW DRAWING		Internal Code: DEV	DRAWN: Andy Martin	APPROVED: MMB	DATE: 14/01/2021	THIS DRAWING IS COPYRIGHT AND IS THE PROPERTY OF NUMATIC INTERNATIONAL LTD. AND MUST NOT BE USED WITHOUT THEIR KNOWLEDGE NOR COMMUNICATED TO ANY PERSON OR COMPANY			ITEM No. 915401	DRG No. DRW-39322	REVISION No. A03.00
1	2	3	4	5	6						