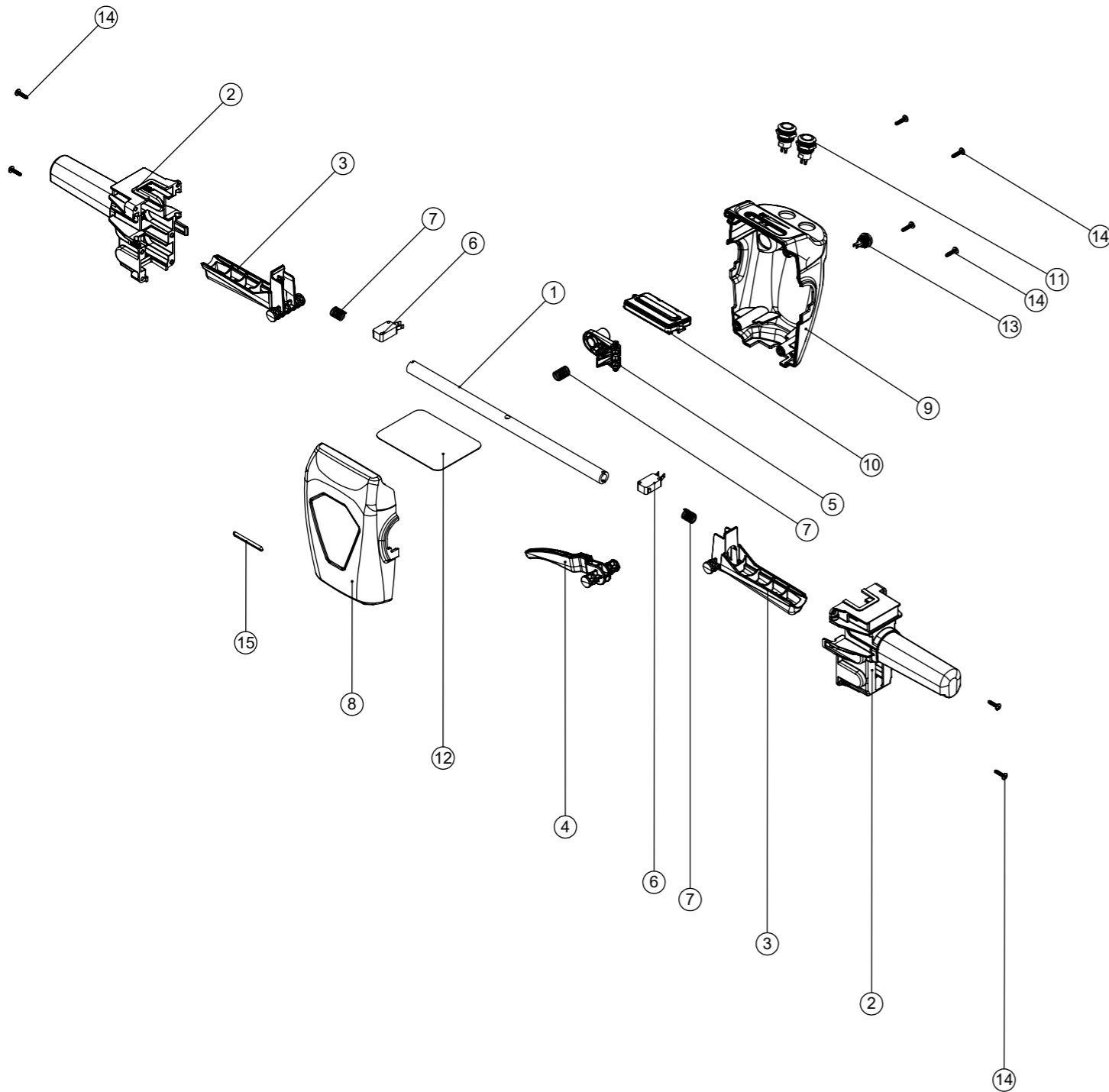


Numatic International Spare Parts

Model No: HANDLE ASSEMBLY EXPLODED DRAWING

913337
DRAWING: DRW-35076 ISS:A03
02/03/2021

NB: FOR WIRING SEE DRAWING: DRW-34941



Numatic International Spare Parts

Model No: HANDLE ASSEMBLY EXPLODED DRAWING

ITEM NO:	PART NO:	DESCRIPTION:	COMMENTS	QTY.
1	910887	HANDLE CROSS TUBE		1
2	910726	HANDLE GRIP		2
3	910727	HANDLE TRIGGER		2
4	910733	HANDLE RELEASE LEVER		1
5	910734	HANDLE LOCK BUTTON		1
6	229483	SNAP ACTION SWITCH		2
7	219803	TRIGGER COMPRESSION SPRING		3
8	910850	FRONT HANDLE COVER MOULDING		1
9	913214	REAR HANDLE COVER MOULDING - MODIFIED		1
10	910616	CSD HANDLE PCB ENCLOSURE ASSEMBLY		1
11	910841	ILLUMINATED TOGGLE SWITCH 22MM DIA		2
12	912145	HANDLE WIRING PROTECTOR		1
13	913246	ISR3Z1AD500 - YELLOW 12MM SEALED PUSH BUTTON SWITCH		1
14	219370	No8 X 5/8 INCH LONG PLASTITE STAINLESS STEEL SCREW	TORQUE TO 2.6Nm	8
15	913456	SELF-ADHESIVE DOMED PROTECTIVE STRIP		1