

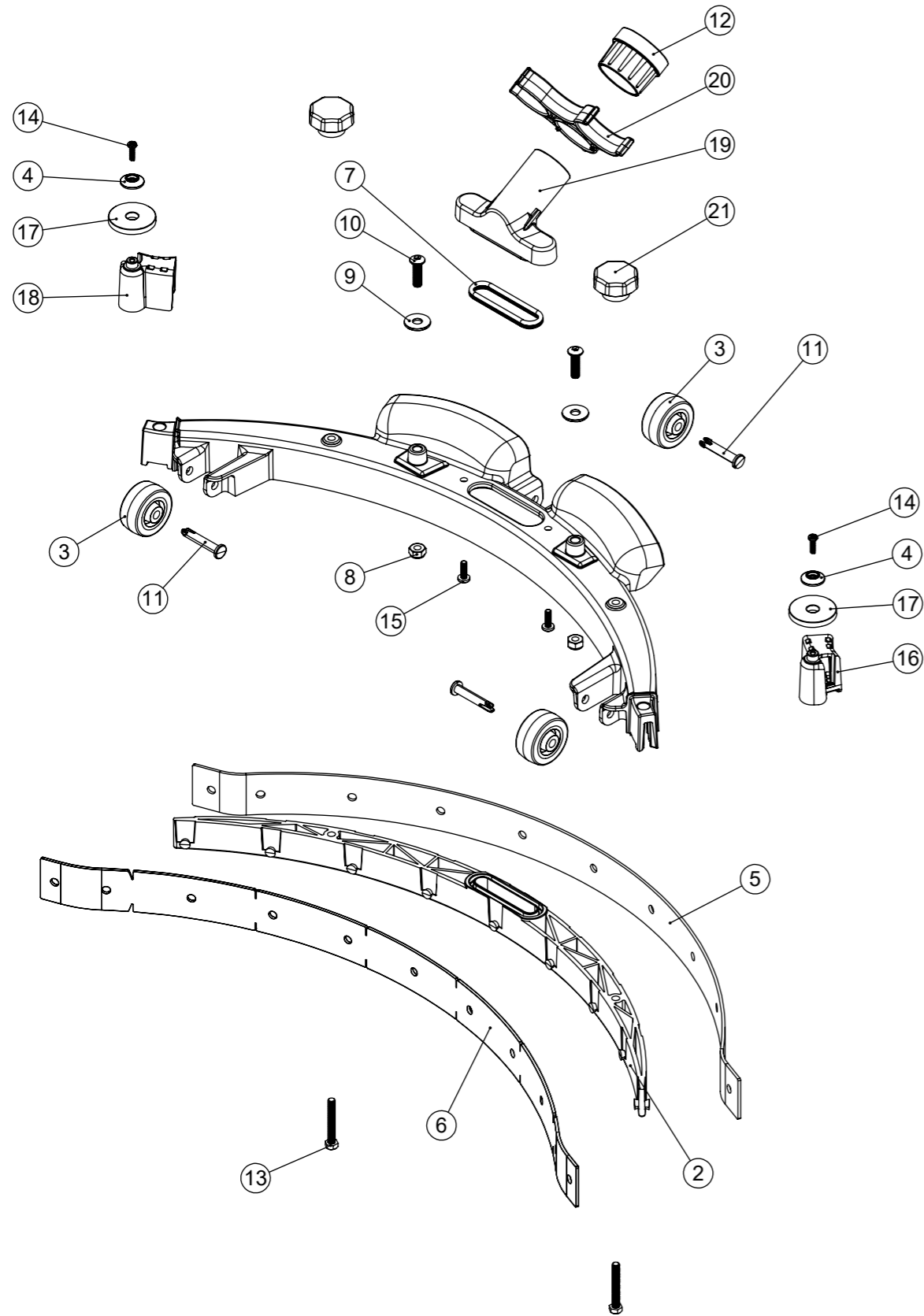
Numatic International Spare Parts

SQUEEGEE ASSEMBLY EXPLODED DRAWING

Model No:

911916

DRAWING: DRW-31959 ISS:A05
16/09/2020



Numatic International Spare Parts

SQUEEGEE ASSEMBLY EXPLODED DRAWING

Model No:

POS.	ITEM No.	DESCRIPTION	COMMENTS	QTY.
1	911515	CSD SQUEEGEE OUTER DIE CASTING		1
2	911516	CSD SQUEEGEE INNER MOULDING FOR DIE CASTING		1
3	208454	TTB 1840 SQUEEGEE WHEEL		3
4	208603	NYLON FINISHING WASHER (BLACK)		2
5	911519	CSD SQUEEGEE REAR BLADE		1
6	911518	CSD SQUEEGEE FRONT BLADE		1
7	209077	DOOR SEAL EXTRUSION		1
8	219642	M6 STAINLESS STEEL NYLON INSERT NUT		2
9	219647	M6 FORM G STAINLESS STEEL WASHER		2
10	905556	M6 X 20MM LONG SOCKET BUTTON HEAD ST/ST BOLT	8.5Nm ± 0.5	2
11	911517	SNAP LOCK PIN		3
12	910970	32MM HOSE CUFF		1
13	905554	M5 X 35MM LONG HEXAGONAL HEAD SCREW ST/ST	5.0Nm ± 0.5	2
14	291053	3.5 X 12MM POZI PAN PLASTITE SCREW S/S	1.6Nm ± 0.1	2
15	219569	No8 X 1/2 INCH LONG POZI PAN STAINLESS STEEL PLASTITE SCREW	2.6Nm ± 0.1	2
16	911511	LEFT HAND CSD420 FLOOR TOOL CLIP		1
17	237266	BUFFER WHEEL		2
18	911512	RIGHT HAND CSD420 FLOOR TOOL CLIP		1
19	912051	HOSE TRAP INLET		1
20	912052	HOSE TRAP CLIP		1
21	208455	TTB 1840 SQUEEGEE KNOB		2