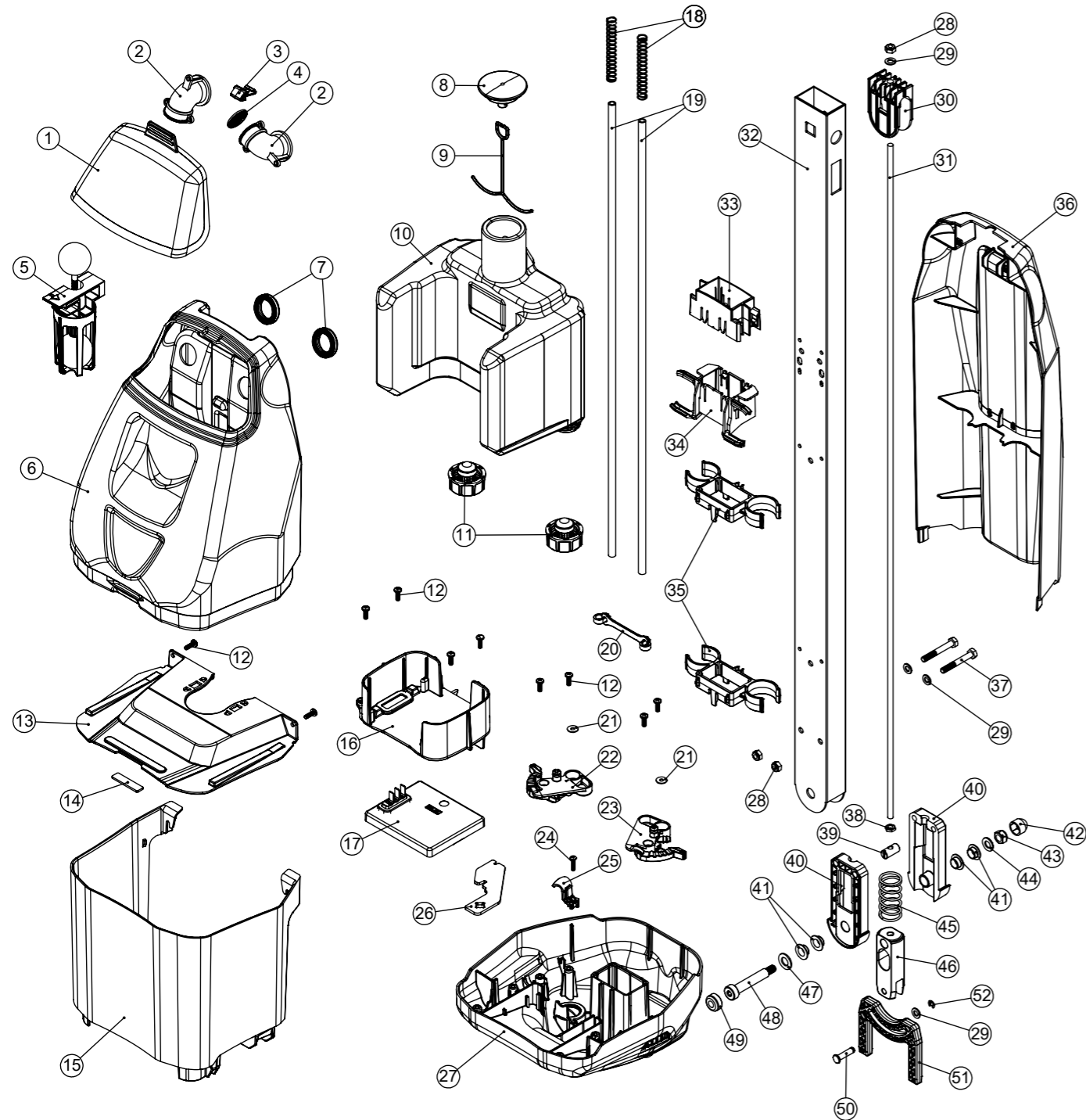


Numatic International Spare Parts

Model No: MID SECTION ASSEMBLY EXPLODED DRAWING

NB: FOR WIRING SEE DRAWING: DRW-32894

911919
DRAWING: DRW-31385 ISS:A09
11/03/2021



Numatic International Spare Parts

Model No: MID SECTION ASSEMBLY EXPLODED DRAWING

ITEM:	PART No:	Description	Comments	QTY.
1	911502	CSD P5 SEPARATOR MOULDING AND SEAL OVERMOULD		1
2	911284	SEPARATOR PORT MOULDING		2
3	911287	SPRING LATCH MOULDING		1
4	911286	PORT FILTER DISC		1
5	911798	BALL SHUT OFF ASSEMBLY		1
6	911499	WASTE TANK P5 SHELLLED WITH LUGS BLOW MOULDING		1
7	911282	GASKET SEAL RING MOULDING		2
8	911280	CAP BUNG WITH VENT HOLE MOULDING		1
9	911281	TETHER MOULDING		1
10	911500	CSD P5 CLEAN TANK BLOW MOULDING		1
11	911815	CHECK VALVE TANK COUPLING		2
12	219569	No8 X 1/2 INCH LONG POZI PAN STAINLESS STEEL PLASTITE SCREW	2.6Nm ± 0.1	10
13	911534	WT SHELF MOULDING		1
14	911786	FOAM PAD 40 X 10 X 2MM		1
15	913483	WT SUPPORT MOULDING PRINTED NUMATIC 244NX		1
16	911537	BATTERY SUPPORT MOULDING		1
17	910930	CSD CONTROL PCB ASSEMBLY		1
18	219327	80MM LG COMPRESSION SPRING		2
19	913691	CLEAR SILICONE TUBE 5MM ID X 8MM OD X 608MM LONG		2
20	913695	HOSE RETAINER		1
21	907391	M4 A2 S/ST FLAT WASHER DIN9021 (REF: WAWSFM400X500)		2
22	912597	FC VALVE LEFT		1
23	912596	FC VALVE RIGHT		1
24	219914	NO6.5/8 INCH LG.POZI-PAN.SCREW.STAINLESS STEEL.PLASTITE	1.6Nm ± 0.1	1
25	911272	WIRE CLAMP MOULDING		1
26	913062	RETAINER PLATE		1
27	913661	NUC HANDLE BASE MOULDING PRINTED WATER FLOW		1
28	219642	M6 STAINLESS STEEL NYLON INSERT NUT		3
29	219870	M6 FORM A WASHER STAINLESS STEEL		4
30	910730	HANDLE RELEASE SLIDER		1
31	910882	HANDLE LOCKING ROD		1
32	912443	HANDLE TUBE PAINTED SILVER		1
33	911266	TANK LOCK MOULDING		1
34	911267	HOSE END MOUNT MOULDING		1
35	911268	DUAL HOSE CLIP MOULDING		2
36	911811	REAR COVER ASSEMBLY		1
37	219896	M6 X 45MM LONG HEXAGONAL STAINLESS STEEL BOLT	8.5Nm ± 0.5	2
38	219099	M6 HALF NUT		1
39	911814	M6 X 20MM CROSS DOWEL BARREL NUT Z/PL		1
40	910715	HANDLE PIVOT MOULDING		2
41	208330	IGUS BEARING (GFM 101206)		4
42	903260	M8 BOLT AND NUT CAP		1
43	219639	M8 STAINLESS STEEL NYLON INSERT NUT		1
44	219578	M8 FORM A STAINLESS STEEL WASHER		1
45	208782	SPRING (C5517490)		1
46	910881	ROLL LATCH		1
47	219903	M10 FORM A STAINLESS STEEL WASHER		1
48	208333	M8 X 10 X 50MM LONG HEX SOCKET SHOULDER BOLT	20.0Nm ± 1.0	1
49	237632	SHOULDER BOLT COVER		1
50	912703	6MM X 22MM S/S CLEVIS PIN WITH E-CLIP GROOVE		1
51	910714	PITCH LATCH		1
52	912704	E-CLIP RSM0040 DIN 6799		1