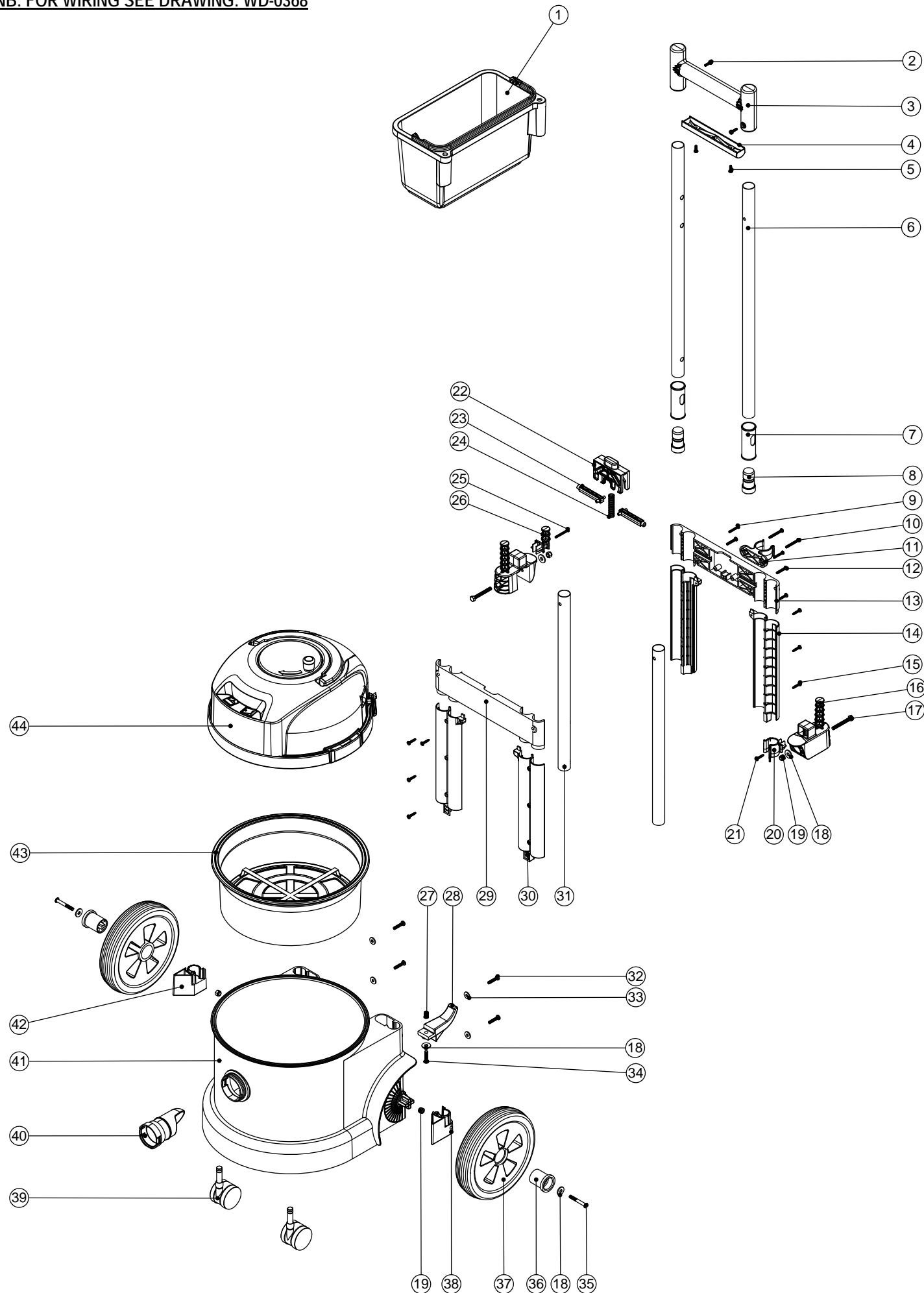


Numatic International Spare Parts

Model No: PVT390A EXPLODED DRAWING

NB: FOR WIRING SEE DRAWING: WD-0368

234761
DRAWING: DRW-5398 ISS:A01
24/01/2011



Numatic International Spare Parts

Model No: PVT390A EXPLODED DRAWING

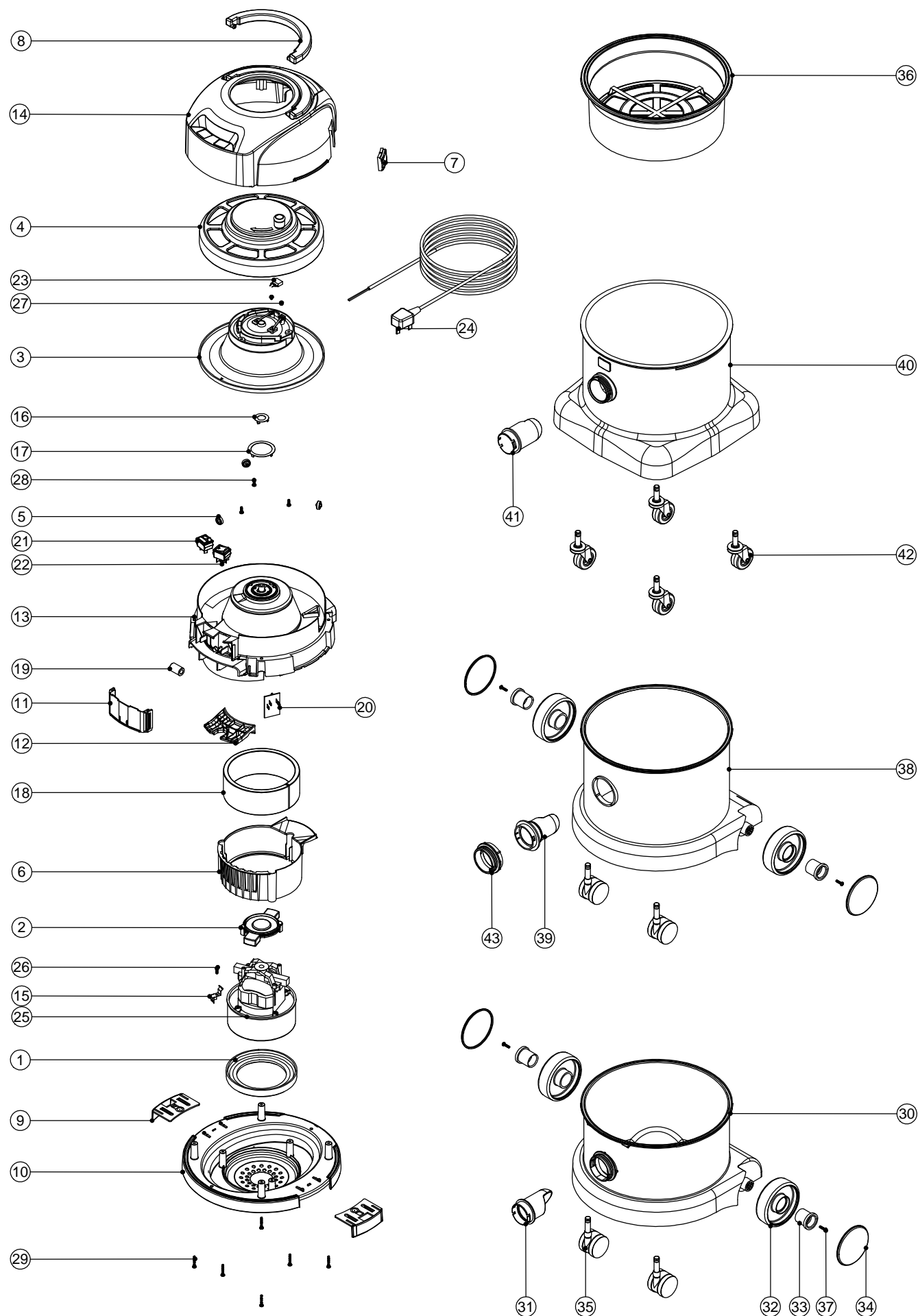
POS:	ITEM NO.	DESCRIPTION	COMMENTS
1	360000	5L RED SWING CADDY ASSY	
2	219472	M4 X 16MM LONG POZI PAN SEMS SCREW	
3	237157	HANDLE BODY (TROLLEY VAC)	
4	237158	HANDLE CAP (TROLLEY VAC)	
5	219101	No8 X 1/2 INCH LONG POZI PAN PLASTIITE SCREW	
6	391320	390 MOVING TUBE (TROLLEY VAC)	
7	237145	SLIDER SLEEVE (TROLLEY VAC)	
8	237147	SLIDER END STOP (TROLLEY VAC)	
9	291006	No6 X 1 INCH LONG POZI PAN PLASTITE SCREW JAPANED	
10	219622	M4.35MM LG.POZI-PAN.SCREW.Z/PL	
11	237154	WAND CLIP (TROLLEY VAC)	
12	219267	M4 X 20MM LONG POZI PAN SEMS SCREW	
13	237152	CROSS BAR REAR (TROLLEY VAC)	
14	237149	HANDLE UPRIGHT HOLES (TROLLEY VAC)	
15	291005	No6 X 5/8 INCH LONG POZI PAN PLASTITE SCREW JAPANED	
16	237156	BUCKET MOUNT (TROLLEY VAC)	
17	219315	M6 X 50MM LONG BOLT	
18	219008	M6 FORM G WASHER	
19	219088	M6 NYLON INSERT NUT	
20	237155	BUCKET CLIP (TROLLEY VAC)	
21	219107	No6 X 5/8 INCH LONG POZI PAN PLASTITE SCREW	
22	237148	PLUNGER BUTTON (TROLLEY VAC)	
23	237146	PLUNGER PIN (TROLLEY VAC)	
24	291009	SPRING (TROLLEY VAC)	
25	219848	NO6 X 1 3/8 INCH LONG POZI PAN SCREW	
26	237166	BUCKET CLIP IN PEG (TROLLEY VAC)	
27	219450	M6 BRASS INSERT	
28	237121	TROLEY VAC BALL HITCH	
29	325813	CROSS BAR FRONT + INSERTS (TROLLEY VAC)	
30	237150	HANDLE UPRIGHT FAKE SCREW (TROLLEY VAC)	
31	391321	390 FIXED TUBE (TROLLEY VAC)	
32	219057	M5 X 25MM LONG POZI PAN SCREW	
33	219005	M5 FORM G WASHER	
34	291016	M6 X 25MM SOCKET BUTTON HEAD SCREW	
35	219881	M6 X 45MM SOCKET BUTTON HEAD SCREW	
36	237120	HUB CAP	
37	204104	8 INCH WHEEL	
38	237163	HUB SUPPORT RIGHT (TROLLEY VAC)	
39	204111	50MM TWIN WHEEL CASTOR WITH PU TYRE	
40	237119	FRONT FIT BAG CONNECTOR	
41	237122	390 DRUM - RED (TROLLEY VAC)	
42	237164	HUB SUPPORT LEFT (TROLLEY VAC)	
43	207109	12 INCH FILTER (DOUBLE BOTTOM) 160GRM SMS	
44	583210	PVR BLACK HEAD ASM DAF V16 12.5M (NUMATIC AUTOSAVE FLOWER)	FOR EXPLODED HEAD SEE DRW-5228
	583211	PVR BLACK HEAD ASM DAF V30 12.5M (NUMATIC AUTOSAVE FLOWER)	
	583212	PVR BLACK HEAD ASM DAF V53 12.5M (NUMATIC AUTOSAVE FLOWER)	
	583214	PVR BLACK HEAD ASM DAF V83 12.5M (NUMATIC AUTOSAVE FLOWER)	
	583216	PVR BLACK HEAD ASM DAF V37 12.5M (NUMATIC AUTOSAVE FLOWER)	
	583253	PVR BLACK HEAD ASM DAF V81 10M (NUMATIC AUTOSAVE FLOWER)	
	583213	PVR BLACK HEAD ASM DAF V69 (NACECARE AUTOSAVE FLOWER)	

Numatic International Spare Parts

Model No: PVR 200A/ 370A/ 380A EXPLODED DRAWING

NB: FOR WIRING SEE DRAWING: WD-0368

234773
DRAWING: DRW-5228 ISS:A02
28/02/2012



Numatic International Spare Parts

Model No: PVR 200A/ 370A/ 380A EXPLODED DRAWING

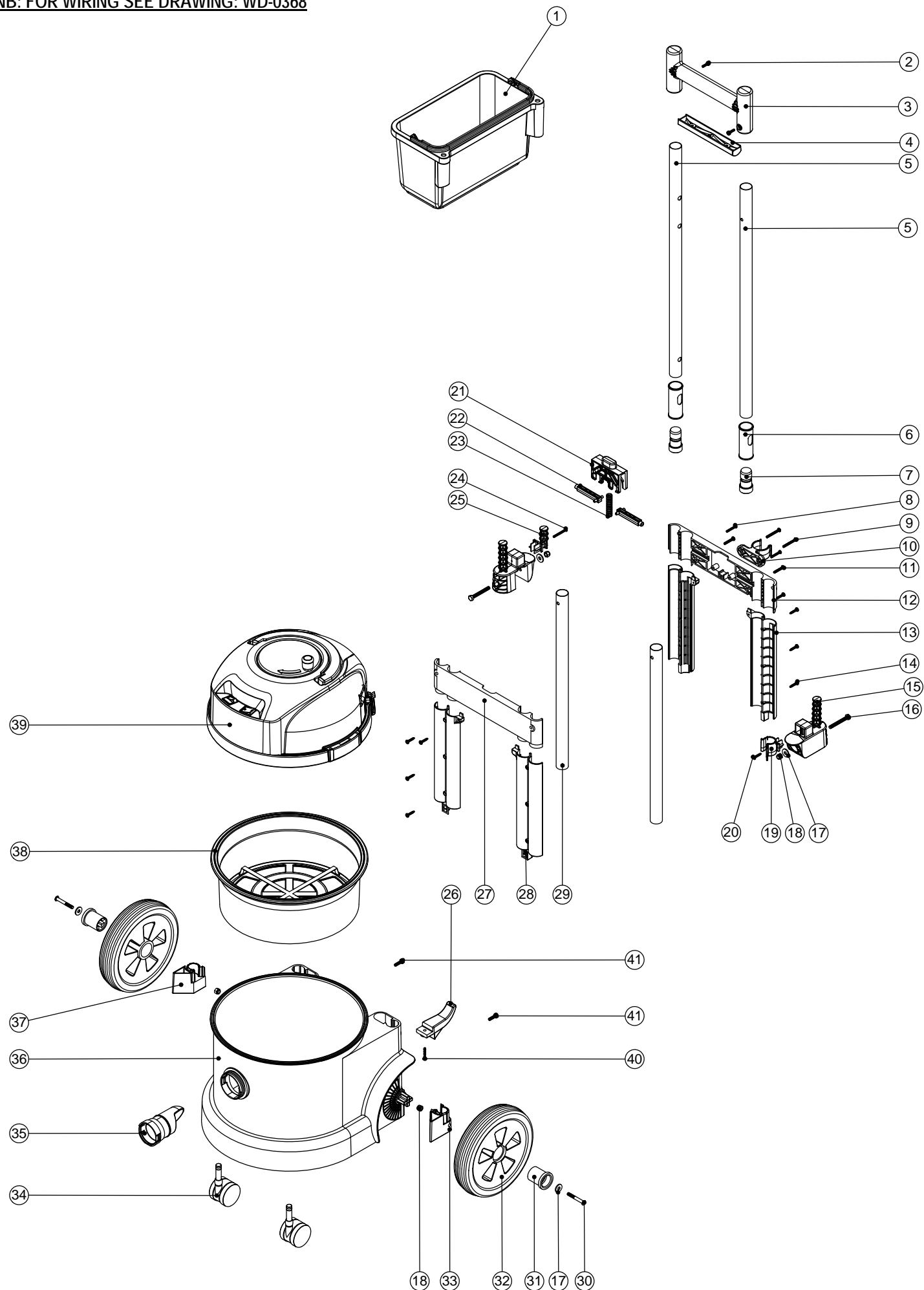
ITEM:	PART No:	DESCRIPTION	COMMENTS:
1	227882	BOTTOM MOTOR GASKET	
2	229614	MOTOR PLATE BI -MATERIAL	
3	227132	CABLE REEL MOULDING ASSEMBLY	
	227348	CABLE REEL MOULDING ASSEMBLY (V2 RATED)	USA
4	333113	CABLE REEL COVER ASSEMBLY (C/W WINDER KNOB)	
	333147	CABLE REEL COVER ASSEMBLY (V2 RATED MATERIAL) (C/W WINDER KNOB)	USA
5	227436	ROLLER WHEEL	
6	229621	AIR GUIDE	
7	227108	BLACK CABLE ENTRY	
8	227120	HANDLE	
9	229715	TOGGLE (TWIN SHOT)	
10	229716	BOTTOM MOTOR HOUSING (TWIN-SHOT)	
11	229623	SWITCH COVER	
	229738	SWITCH COVER (V2 RATED MATERIAL)	USA
12	237132	WIRE ENTRY ENCLOSURE (PVR FRONT SWITCH)	
	237133	WIRE ENTRY ENCLOSURE V2 FLAME RETARDANT (PVR FRONT SWITCH)	USA
13	237129	TOP MOTOR HOUSING (PVR FRONT SWITCH)	
	237130	TOP MOTOR HOUSING V2 FLAME RETARDANT (PVR FRONT SWITCH)	USA
14	325812	PVR BLACK AUTOSAVE COVER + HANDLE. PRINT WHITE NUMATIC+GREEN AUTOSAVE FLOWER LOGO	
15	208379	SPRING CLIP (LAMB DAF MOTOR)	
16	227141	INNER CONTACT RING	
17	227142	OUTER CONTACT RING	
18	203020	POD SIDE FELT	
19	230097	AXIAL FERRITE BEAD	
20	208428	1200W UK/EU AUTOSAVE 600W @ 230VAC 50/60Hz RED BOARD	
	208300	AUTOSAVE 2 SPEED CONTROL PCB (120V)	
21	221102	RED MOMENTARY ROCKER SWITCH (BLACK BODY / RED ILLUMINATION WINDOW)	
22	220582	GREEN ROCKER SWITCH	
23	230096	SUPPRESSOR CAPACITOR ASSEMBLY WITH DISCHARGE RESISTOR	
24	236116	12.5MT X 1MM X 2 CORE (H05 V2V2-F) UK PLUG	
	220251	12.5MT X 1.0MM X 2 CORE CABLE + EURO PLUG	
	220192	12.5MT X 1.0MM X 2 CORE CABLE C/W SWISS PLUG	
	220467	12.5MT X 1MMSQ X 2 CORE M/CABLE + RSA PLUG	
	236044	10.0M X 1.00MM X 2 CORE CABLE (AUSTRALIAN PLUG)	
	236049	10.0M X 1.50MM X 2 CORE CABLE (INDUSTRIAL PLUG)	
	236041	10.0M X 18AWG X 2 CORE CABLE (YELLOW) SJT + CSA PLUG	
25	205403	230V 2 STAGE THRO FLOW TAPER FAN MOTOR (DL21104T) TCO	
	205401	120V 2 STAGE THRO FLOW TAPER FAN MOTOR (DL21101T) TCO	
26	219601	No8 X 3/8 INCH LONG POZI PAN PLASTITE SCREW	
27	219090	M4 X 8MM LONG POZI PAN SEMS SCREW	
28	219101	No8 X 1/2 INCH LONG POZI PAN PLASTITE SCREW	
29	219104	No8 X 1 INCH LONG POZI PAN PLASTITE SCREW	
30	225301	RED 200 DRUM (NO PADS)	
	225191	RED MOULDED DRUM PLUS FACE	
	227374	NNV 200 MIDNIGHT BLUE MOULDED DRUM	
	225304	NNV200 YELLOW MOULDED DRUM	
	225303	NNV200 GREEN MOULDED DRUM	
	225302	NNV200 BLUE MOULDED DRUM	
	225170	NNV/NRV 200 DRUM GREY MOULDED	
31	229768	BAG CONNECTOR (2006)	200 DRUM
32	227640	2 SHOT WHEEL ASSEMBLY	
33	227868	WHEEL HUB FOR 2 SHOT WHEEL	
34	227687	RED TRIM	
	229777	MIDNIGHT BLUE TRIM	
	227690	YELLOW TRIM	
	227638	BLACK TRIM	
	227689	GREEN TRIM	
	227688	BLUE TRIM	
35	204111	50MM TWIN WHEEL CASTOR WITH PU TYRE	
36	207109	12 INCH FILTER (DOUBLE BOTTOM) 160GRM SMS	
37	219105	No8 X 5/8 INCH LONG POZI PAN PLASTITE SCREW	
38	227608	370 RED DRUM	
39	227363	BAG CONNECTOR	370 DRUM
40	225904	RED CONTAINER	380
41	227004	BAG CONNECTOR	380 DRUM
42	204059	2 INCH CASTOR	380 DRUM
43	227396	RED THREADED NECK	

Numatic International Spare Parts

Model No: PVT390A EXPLODED DRAWING

NB: FOR WIRING SEE DRAWING: WD-0368

234761
DRAWING: DRW-5398 ISS:A03
22/08/2011



Numatic International Spare Parts

Model No: PVT390A EXPLODED DRAWING

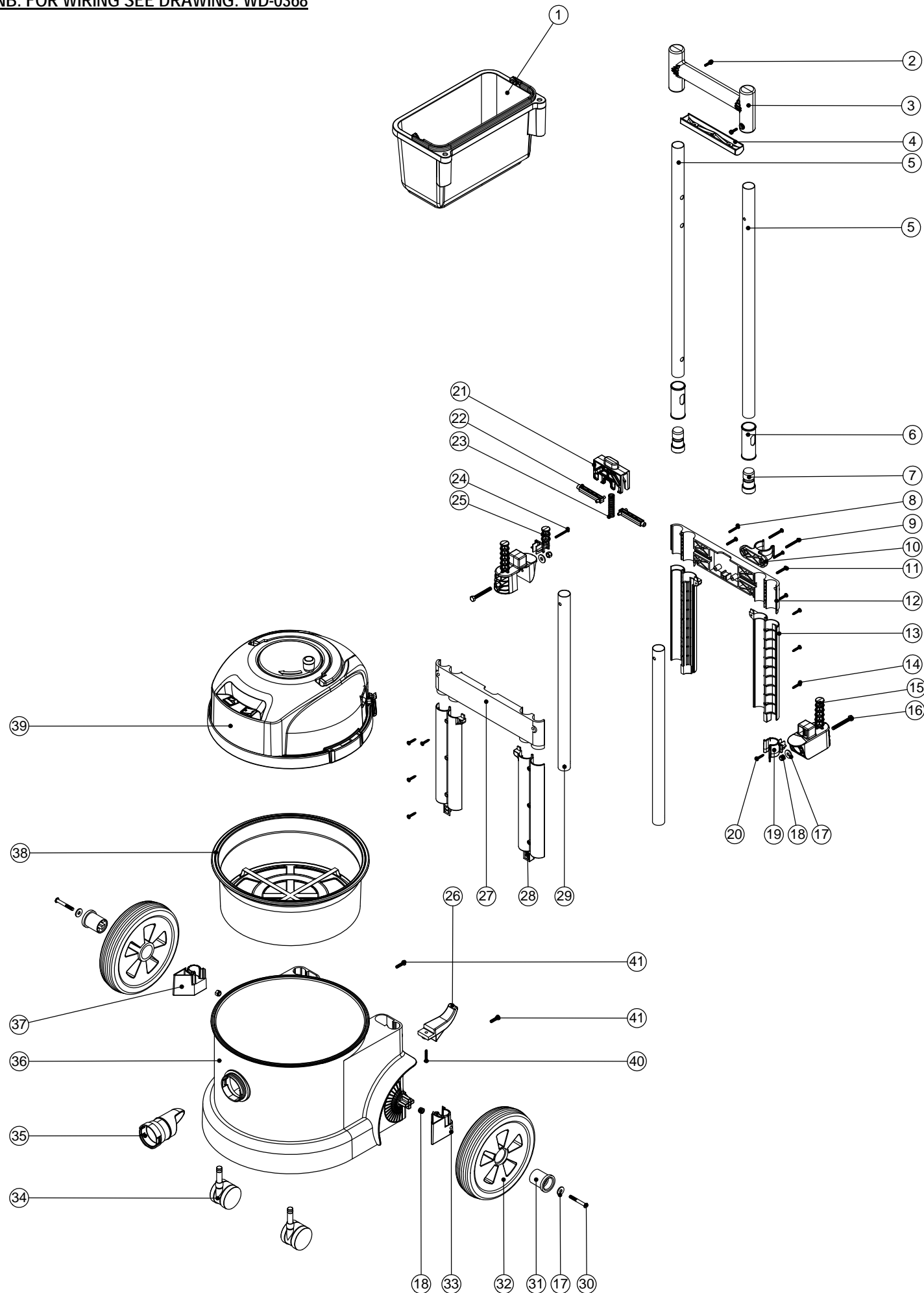
POS:	ITEM NO.	DESCRIPTION	COMMENTS
1	360000	5L RED SWING CADDY ASSY	
2	219472	M4 X 16MM LONG POZI PAN SEMS SCREW	
3	237157	HANDLE BODY (TROLLEY VAC)	
4	237158	HANDLE CAP (TROLLEY VAC)	
5	391320	390 MOVING TUBE (TROLLEY VAC)	
6	237145	SLIDER SLEEVE (TROLLEY VAC)	
7	237147	SLIDER END STOP (TROLLEY VAC)	
8	291006	No6 X 1 INCH LONG POZI PAN PLASTITE SCREW JAPANED	
9	219622	M4.35MM LG.POZI-PAN.SCREW.Z/PL	
10	237154	WAND CLIP (TROLLEY VAC)	
11	219267	M4 X 20MM LONG POZI PAN SEMS SCREW	
12	237152	CROSS BAR REAR (TROLLEY VAC)	
13	237149	HANDLE UPRIGHT HOLES (TROLLEY VAC)	
14	291005	No6 X 5/8 INCH LONG POZI PAN PLASTITE SCREW JAPANED	
15	237156	BUCKET MOUNT (TROLLEY VAC)	
16	219315	M6 X 50MM LONG BOLT	
17	219008	M6 FORM G WASHER	
18	219088	M6 NYLON INSERT NUT	
19	237155	BUCKET CLIP (TROLLEY VAC)	
20	219107	No6 X 5/8 INCH LONG POZI PAN PLASTITE SCREW	
21	237148	PLUNGER BUTTON (TROLLEY VAC)	
22	237146	PLUNGER PIN (TROLLEY VAC)	
23	291009	SPRING (TROLLEY VAC)	
24	219848	NO6 X 1 3/8 INCH LONG POZI PAN SCREW	
25	237166	BUCKET CLIP IN PEG (TROLLEY VAC)	
26	237121	TROLEY VAC BALL HITCH	
27	325813	CROSS BAR FRONT + INSERTS (TROLLEY VAC)	
28	237150	HANDLE UPRIGHT FAKE SCREW (TROLLEY VAC)	
29	391321	390 FIXED TUBE (TROLLEY VAC)	
30	219881	M6 X 45MM SOCKET BUTTON HEAD SCREW	
31	237120	HUB CAP	
32	204104	8 INCH WHEEL	
33	237163	HUB SUPPORT RIGHT (TROLLEY VAC)	
34	204111	50MM TWIN WHEEL CASTOR WITH PU TYRE	
35	237119	FRONT FIT BAG CONNECTOR	
36	237122	390 DRUM - RED (TROLLEY VAC)	
37	237164	HUB SUPPORT LEFT (TROLLEY VAC)	
38	207109	12 INCH FILTER (DOUBLE BOTTOM) 160GRM SMS	
39	583210	PVR BLACK HEAD ASM DAF V16 12.5M (NUMATIC AUTOSAVE FLOWER)	FOR EXPLODED HEAD SEE DRW-5228
	583211	PVR BLACK HEAD ASM DAF V30 12.5M (NUMATIC AUTOSAVE FLOWER)	
	583212	PVR BLACK HEAD ASM DAF V53 12.5M (NUMATIC AUTOSAVE FLOWER)	
	583214	PVR BLACK HEAD ASM DAF V83 12.5M (NUMATIC AUTOSAVE FLOWER)	
	583216	PVR BLACK HEAD ASM DAF V37 12.5M (NUMATIC AUTOSAVE FLOWER)	
	583253	PVR BLACK HEAD ASM DAF V81 10M (NUMATIC AUTOSAVE FLOWER)	
	583213	PVR BLACK HEAD ASM DAF V69 (NACECARE AUTOSAVE FLOWER)	
40	219104	No8 X 1 INCH LONG POZI PAN PLASTITE SCREW	
41	219546	M5 X 20MM LONG POZI PAN SEMS SCREW	

Numatic International Spare Parts

Model No: PVT390A EXPLODED DRAWING

NB: FOR WIRING SEE DRAWING: WD-0368

234761
DRAWING: DRW-5398 ISS:A02
19/04/2011



Numatic International Spare Parts

Model No: PVT390A EXPLODED DRAWING

POS:	ITEM NO.	DESCRIPTION	COMMENTS
1	360000	5L RED SWING CADDY ASSY	
2	219472	M4 X 16MM LONG POZI PAN SEMS SCREW	
3	237157	HANDLE BODY (TROLLEY VAC)	
4	237158	HANDLE CAP (TROLLEY VAC)	
5	391320	390 MOVING TUBE (TROLLEY VAC)	
6	237145	SLIDER SLEEVE (TROLLEY VAC)	
7	237147	SLIDER END STOP (TROLLEY VAC)	
8	291006	No6 X 1 INCH LONG POZI PAN PLASTITE SCREW JAPANED	
9	219622	M4.35MM LG.POZI-PAN.SCREW.Z/PL	
10	237154	WAND CLIP (TROLLEY VAC)	
11	219267	M4 X 20MM LONG POZI PAN SEMS SCREW	
12	237152	CROSS BAR REAR (TROLLEY VAC)	
13	237149	HANDLE UPRIGHT HOLES (TROLLEY VAC)	
14	291005	No6 X 5/8 INCH LONG POZI PAN PLASTITE SCREW JAPANED	
15	237156	BUCKET MOUNT (TROLLEY VAC)	
16	219315	M6 X 50MM LONG BOLT	
17	219008	M6 FORM G WASHER	
18	219088	M6 NYLON INSERT NUT	
19	237155	BUCKET CLIP (TROLLEY VAC)	
20	219107	No6 X 5/8 INCH LONG POZI PAN PLASTITE SCREW	
21	237148	PLUNGER BUTTON (TROLLEY VAC)	
22	237146	PLUNGER PIN (TROLLEY VAC)	
23	291009	SPRING (TROLLEY VAC)	
24	219848	NO6 X 1 3/8 INCH LONG POZI PAN SCREW	
25	237166	BUCKET CLIP IN PEG (TROLLEY VAC)	
26	237121	TROLEY VAC BALL HITCH	
27	325813	CROSS BAR FRONT + INSERTS (TROLLEY VAC)	
28	237150	HANDLE UPRIGHT FAKE SCREW (TROLLEY VAC)	
29	391321	390 FIXED TUBE (TROLLEY VAC)	
30	219881	M6 X 45MM SOCKET BUTTON HEAD SCREW	
31	237120	HUB CAP	
32	204104	8 INCH WHEEL	
33	237163	HUB SUPPORT RIGHT (TROLLEY VAC)	
34	204111	50MM TWIN WHEEL CASTOR WITH PU TYRE	
35	237119	FRONT FIT BAG CONNECTOR	
36	237122	390 DRUM - RED (TROLLEY VAC)	
37	237164	HUB SUPPORT LEFT (TROLLEY VAC)	
38	207109	12 INCH FILTER (DOUBLE BOTTOM) 160GRM SMS	
39	583210	PVR BLACK HEAD ASM DAF V16 12.5M (NUMATIC AUTOSAVE FLOWER)	FOR EXPLODED HEAD SEE DRW-5228
	583211	PVR BLACK HEAD ASM DAF V30 12.5M (NUMATIC AUTOSAVE FLOWER)	
	583212	PVR BLACK HEAD ASM DAF V53 12.5M (NUMATIC AUTOSAVE FLOWER)	
	583214	PVR BLACK HEAD ASM DAF V83 12.5M (NUMATIC AUTOSAVE FLOWER)	
	583216	PVR BLACK HEAD ASM DAF V37 12.5M (NUMATIC AUTOSAVE FLOWER)	
	583253	PVR BLACK HEAD ASM DAF V81 10M (NUMATIC AUTOSAVE FLOWER)	
	583213	PVR BLACK HEAD ASM DAF V69 (NACECARE AUTOSAVE FLOWER)	
40	219104	No8 X 1 INCH LONG POZI PAN PLASTITE SCREW	
41	219546	M5 X 20MM LONG POZI PAN SEMS SCREW	