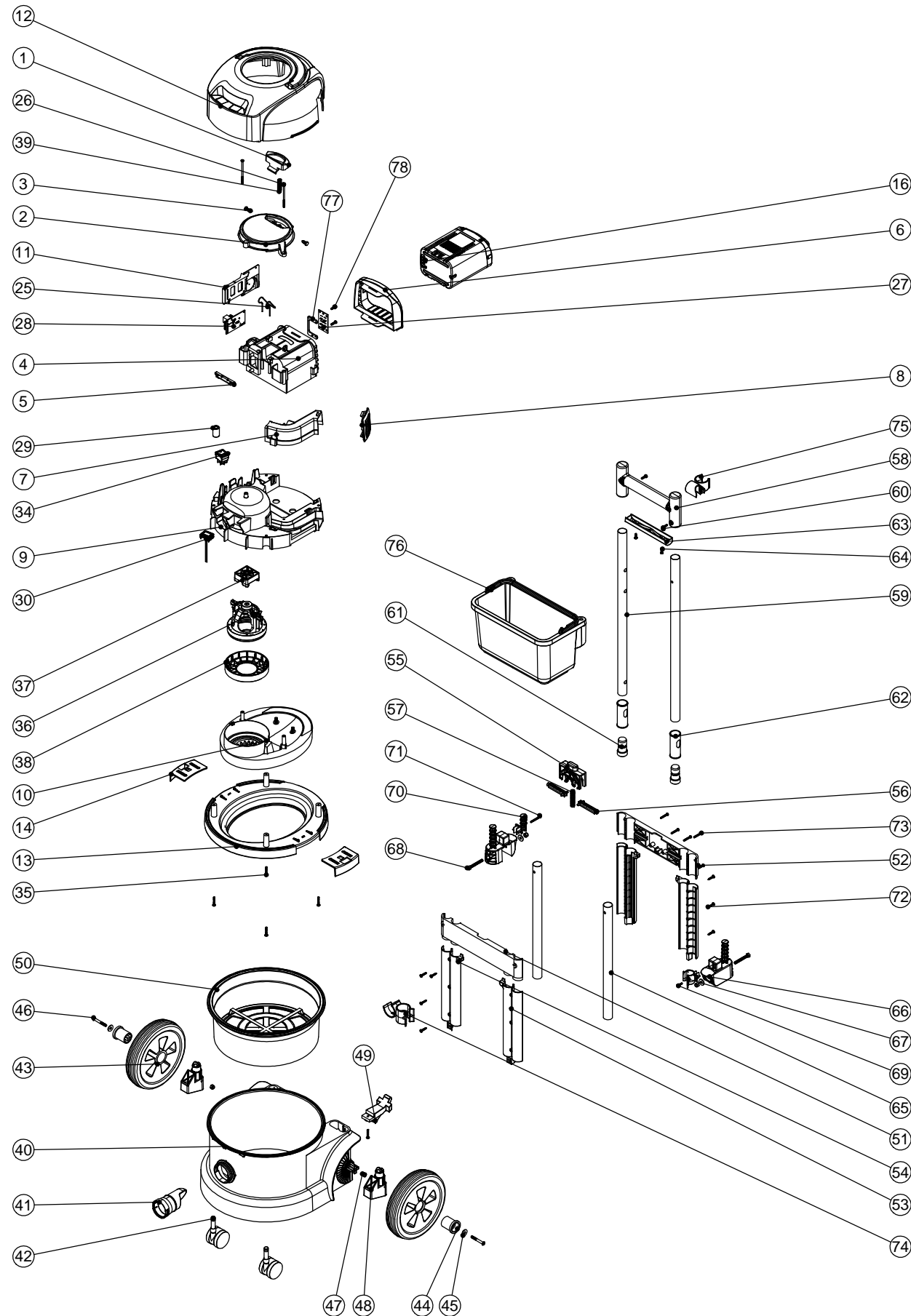


Numatic International Spare Parts

Model No: PBT-230 (PROVAC BATTERY TROLLEY) EXPLODED DRAWING

234996
DRAWING: DRW-12546 ISS:A01
14/02/2013

NB: FOR WIRING SEE DRAWING: DRW-12537



Numatic International Spare Parts

Model No: PBT-230 (PROVAC BATTERY TROLLEY) EXPLODED DRAWING

ITEM:	PART No:	DESCRIPTION	COMMENTS:
1	237604	BATTERY RELEASE CATCH	
2	237603	REELER CAP	
3	237597	BATTERY RELEASE TOGGLE - HINGE PIN	
4	237601	BATTERY POD	
5	237641	BATTERY RELEASE SPRING RETAINER	
6	237602	BATTERY POD FASCIA	
7	237600	EXHAUST DUCT	
8	237640	EXHAUST AIR DUCT FASCIA	
9	237598	MOTOR HOUSING	
10	237599	MOTOR ADAPTOR	
11	237642	PCB MOUNT & FAN HOUSING	
12	326092	PVR COVER + HANDLE PROCESSED FOR NBV BATTERY VAC	
13	326066	HARD EDGE BOTTOM MOTOR HOUSING PROCESSED FOR NBV BATTERY VAC	
14	237115	NRV HARD EDGE TOGGLE	
16	230211	NUMATIC LIPO BATTERY 36V	
25	216655	BATTERY RELEASE SPRING	
26	291049	No8 X 2.95 TX-PN-PLAST SCREW	
27	230223	BATTERY VAC CONNECTING PCB	
28	208559	POWER CONTROL PCB. SYNCHRONOUS BUCK CONVERTER	
29	230097	AXIAL FERRITE BEAD	
30	208625	LCD MODULE AND INTERCONNECTING LOOM	
34	220582	GREEN ROCKER SWITCH	
35	219104	No8 X 1 INCH LONG POZI PAN PLASTITE SCREW	
36	205448	36V DC MOTOR (AMETEK)	
37	237617	MOTOR TOP MOUNT	
38	237616	MOTOR GASKET	
39	216465	11MM COIL SPRING	
40	237177	220 DRUM - RED (TROLLEY VAC)	
41	237119	FRONT FIT BAG CONNECTOR	
42	204111	50MM TWIN WHEEL CASTOR WITH PU TYRE	
43	204104	8 INCH WHEEL	
44	237120	HUB CAP	
45	219008	M6 FORM G WASHER	
46	219881	M6 X 45MM SOCKET BUTTON HEAD SCREW	
47	219088	M6 NYLON INSERT NUT	
48	237319	SYMETRIC HUB SUPPORT	
49	237121	TROLLEY VAC BALL HITCH	
50	207109	12 INCH FILTER (DOUBLE BOTTOM) 160GRM SMS	
51	325813	CROSS BAR FRONT + INSERTS (TROLLEY VAC)	
52	237152	CROSS BAR REAR (TROLLEY VAC)	
53	237150	HANDLE UPRIGHT FAKE SCREW (TROLLEY VAC)	
54	237149	HANDLE UPRIGHT HOLES (TROLLEY VAC)	
55	237148	PLUNGER BUTTON (TROLLEY VAC)	
56	237146	PLUNGER PIN (TROLLEY VAC)	
57	291009	SPRING (TROLLEY VAC)	
58	237157	HANDLE BODY (TROLLEY VAC)	
59	391360	220 MOVING TUBE (TROLLEY VAC)	
60	219472	M4 X 16MM LONG POZI PAN SEMS SCREW	
61	237147	SLIDER END STOP (TROLLEY VAC)	
62	237145	SLIDER SLEEVE (TROLLEY VAC)	
63	237158	HANDLE CAP (TROLLEY VAC)	
64	219101	No8 X 1/2 INCH LONG POZI PAN PLASTITE SCREW	
65	391361	220 FIXED TUBE (TROLLEY VAC)	
66	237156	BUCKET MOUNT (TROLLEY VAC)	
67	237155	BUCKET CLIP (TROLLEY VAC)	
68	219315	M6 X 50MM LONG BOLT	
69	219107	No6 X 5/8 INCH LONG POZI PAN PLASTITE SCREW	
70	237166	BUCKET CLIP IN PEG (TROLLEY VAC)	
71	219848	NO6 X 1 3/8 INCH LONG POZI PAN SCREW	
72	291005	NO6 X 5/8 INCH LONG POZI PAN PLASTITE SCREW JAPANED	
73	291006	NO6 X 1 INCH LONG POZI PAN PLASTITE SCREW JAPANED	
74	237345	PVT HOSE CLIP	
75	237476	PVT WAND CLIP	
76	360000	5L RED SWING CADDY ASSY	
77	392315	PCB SPACER	
78	219105	No8 X 5/8 INCH LONG POZI PAN PLASTITE SCREW	