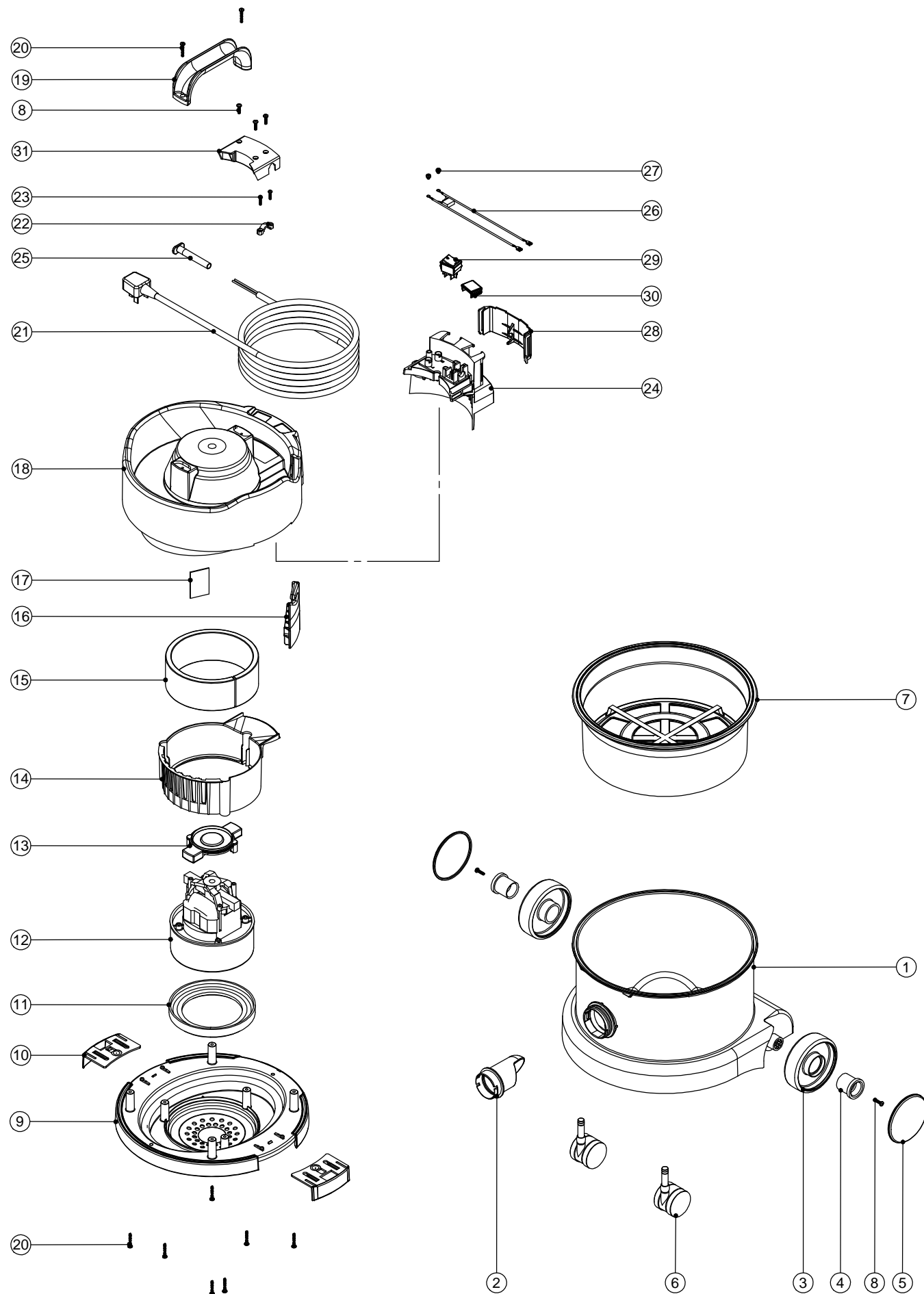


# Numatic International Spare Parts

**Model No:** NVH 180/200/370-2 ASSEMBLY DRAWING (PSH STYLE HEAD)

234864  
DRAWING:DRW-11335 ISS:A01  
21/02/2012

**NB: FOR WIRING SEE DRAWING: DRW-10912**



# Numatic International Spare Parts

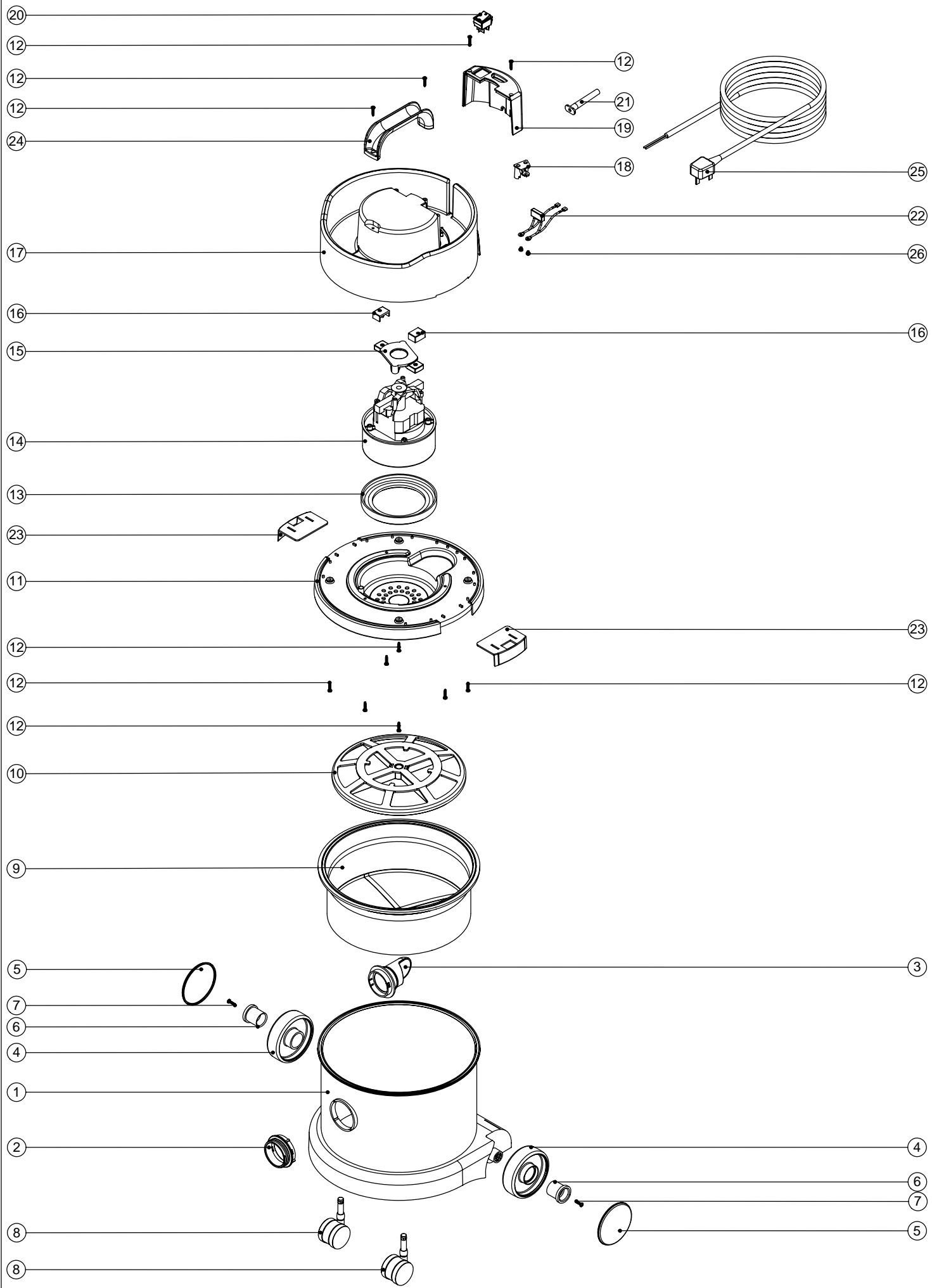
**Model No:** NVH 180/200/370-2 ASSEMBLY DRAWING (PSH STYLE HEAD)

ITEM:	PART No:	DESCRIPTION	COMMENTS:
1	225170	200 GREY CONTAINER	
	225302	200 BLUE CONTAINER	
	227450	370 GREY CONTAINER	
	227609	370 BLUE CONTAINER	
	227575	180 MID BLUE CONTAINER	
	227478	180 GREY CONTAINER	
2	229768	BAG CONNECTOR (2006)	200 CONTAINER
	237119	FRONT FIT BAG CONNECTOR	180 CONTAINER
	227363	BAG CONNECTOR	370 CONTAINER
	227346	THREADED NECK (GREY)	370 CONTAINER
	227397	BLUE THREADED NECK	370 CONTAINER
3	227640	2 SHOT WHEEL ASSEMBLY	
4	227868	WHEEL HUB FOR 2 SHOT WHEEL	
5	227638	BLACK TRIM	
	227688	BLUE TRIM	
6	204111	50MM TWIN WHEEL CASTOR WITH PU TYRE	200, 370 CONTAINER
	204000	40MM PU-TYRED BLACK TWIN WHEEL CASTOR	180 CONTAINER
7	207109	12 INCH FILTER (DOUBLE BOTTOM) 160GRM SMS	
8	219105	No8 X 5/8 INCH LONG POZI PAN PLASTITE SCREW	
9	229716	BOTTOM MOTOR HOUSING (TWIN-SHOT)	
10	229715	TOGGLE (TWIN SHOT)	
11	227882	BOTTOM MOTOR GASKET	
12	205403	230V 2 STAGE THRO FLOW TAPER FAN MOTOR (DL21104T) TCO	
	205401	120V 2 STAGE THRO FLOW TAPER FAN MOTOR (DL21101T) TCO	
13	229614	MOTOR PLATE BI -MATERIAL	
14	229621	AIR GUIDE	
15	203020	POD SIDE FELT	
16	237079	CABLE EXIT NPV/NHV	
17	227957	BLANKING PLATE	
18	325917	GREY TOP MOTOR HOUSING (PRINTED BLACK NUMATIC)	
	325953	NSP / PSP TOP MOTOR HOUSING (BLACK) PRINTED WHITE NUMATIC	
	325956	NSP / PSP TOP MOTOR HOUSING (MID BLUE) PRINTED WHITE NUMATIC	
19	206451	HANDLE	
20	219104	No8 X 1 INCH LONG POZI PAN PLASTITE SCREW	
21	236033	10.0M X 1.00MM X 2 CORE CABLE (UK PLUG)	
	236034	10.0MT X 1.0MM X 2 CORE EURO PLUG	
	236101	10M X 2 CORE X 1.25MM VCTF CABLE (JAPAN)	
	236047	10.0M X 0.75MM X 2 CORE CABLE (SWISS PLUG)	
22	227564	PLUG LOCATION CLAMP	
23	219107	No6 X 5/8 INCH LONG POZI PAN PLASTITE SCREW	
24	237389	PSP/NSP HARDWIRED SWITCH HOUSING INSERTED (2 X M4 BRASS INSERTS) (BLACK)	
25	220541	CABLE STRESS RELIEF	
26	230170	SUPPRESSOR WIRE ASSY NPV/NHV	
27	219090	M4 X 8MM LONG POZI PAN SEMS SCREW	
28	229623	SWITCH COVER	
29	220552	RED ROCKER SWITCH	
30	237082	BLANKING PLUG - ROCKER SWITCH	
31	237080	NHV HARDWIRED SWITCH HOUSING COVER (BLACK)	

# Numatic International Spare Parts

Model No: NVH370-2

234402  
DRAWING: EXP-0833 ISS:A02  
11/01/2006



# Numatic International Spare Parts

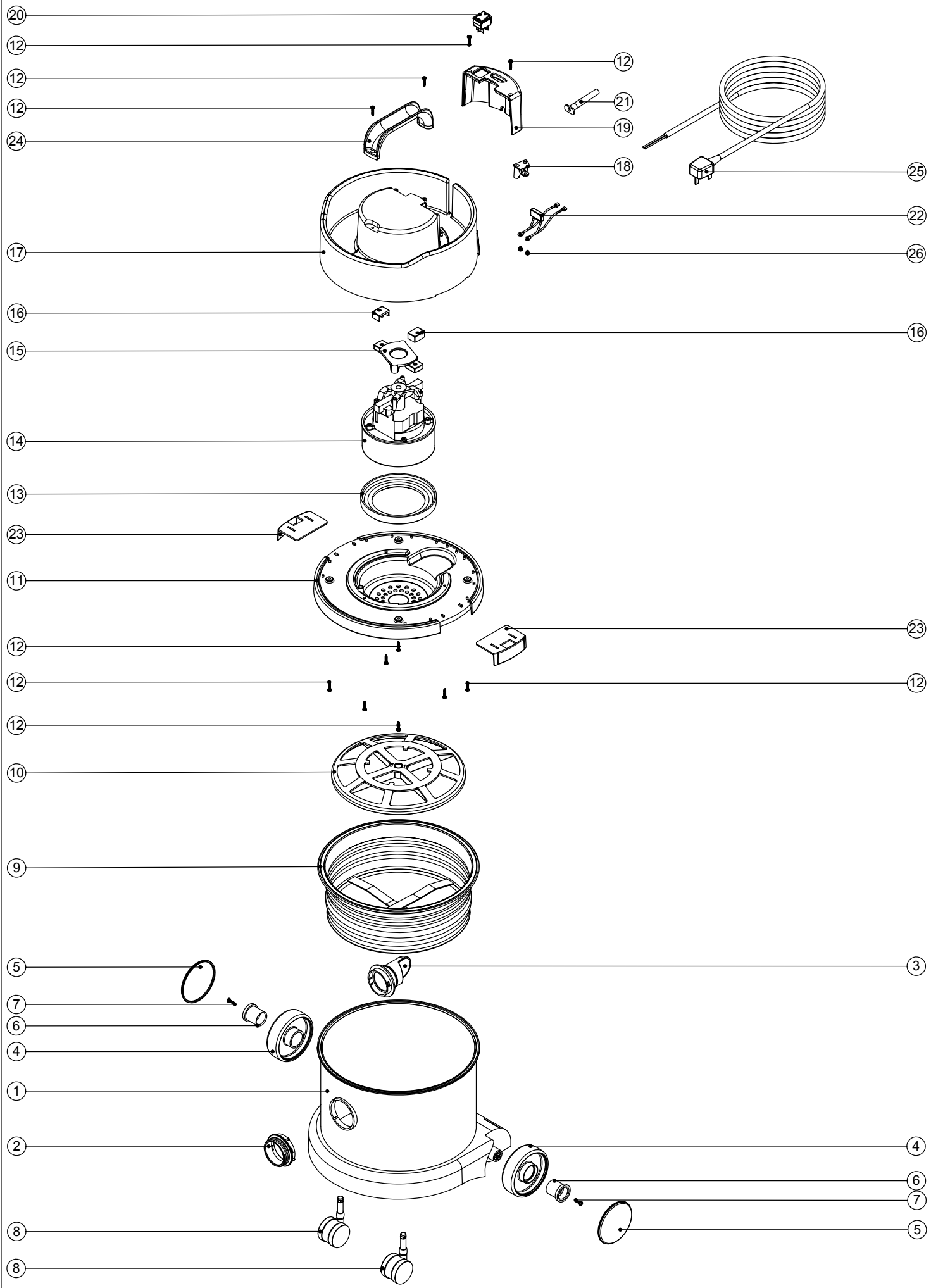
Model No: NVH370-2

POS:	ITEM NO:	DESCRIPTION:	COMMENTS:
1	225119	GREY MOULDED DRUM + FACE	
2	227346	GREY THREADED NECK	
3	227363	BAG CONNECTOR	
4	227640	2 SHOT WHEEL ASSEMBLY	
5	227638	BLACK PLAIN TRIM	
6	227868	WHEEL HUB FOR 2 SHOT WHEEL	
7	219105	No8 X 5/8 INCH LONG POZI PAN PLASTITE SCREW	
8	204111	50MM TWIN WHEEL CASTOR WITH PU TYRE	
9	207109	12 INCH FILTER (DOUBLE BOTTOM) 160GRM SMS	
10	209050	SINGLE FILTER GRID	
11	227895	GREY BOTTOM MOTOR HOUSING	
12	219041	No8 X 3/4 INCH LONG POZI PAN SCREW	
13	227882	BOTTOM MOTOR GASKET	
14	205403	240V 2 STAGE THRO FLOW TAPER FAN MOTOR (DL21104T) TCO	
	205402	220V 2 STAGE THRO FLOW TAPER FAN MOTOR (DL21102T) TCO	
	205401	120V 2 STAGE THRO FLOW TAPER FAN MOTOR (DL21101T) TCO	
15	227881	MOTOR PLATE	
16	227438	RUBBER END PAD	
17	325481	GREY ROUND EDGE TOP (LAMB MOTOR & PRINTED BLACK NUMATIC)	
18	325212	TERMINAL BLOCK + INSERTS	
19	227912	GREY SWITCH COVER	
20	220552	RED ROCKER SWITCH	
21	220923	STRESS RELIEF	
22	220698	SUPPRESSOR ASSEMBLY	240V & 120V MACHINES
	230213	SUPPRESSOR & FERRITE ASSEMBLY	220V MACHINES
23	227115	TOGGLE	
24	206451	HANDLE	
25	236033	10.0M X 1.00MM X 2 CORE CABLE (UK PLUG)	
	236034	10.0M X 1.00MM X 2 CORE CABLE (EURO PLUG)	
	236049	10.0M X 1.00MM X 2 CORE CABLE (16 AMP INDUSTRIAL PLUG)	
26	219090	M4 X 8MM LONG POZI PAN SEMS SCREW	

**Numatic International Spare Parts**

**Model No: NVH370-2**

234402  
DRAWING: EXP-0833 ISS:A01  
08/11/2005



**Numatic International Spare Parts**

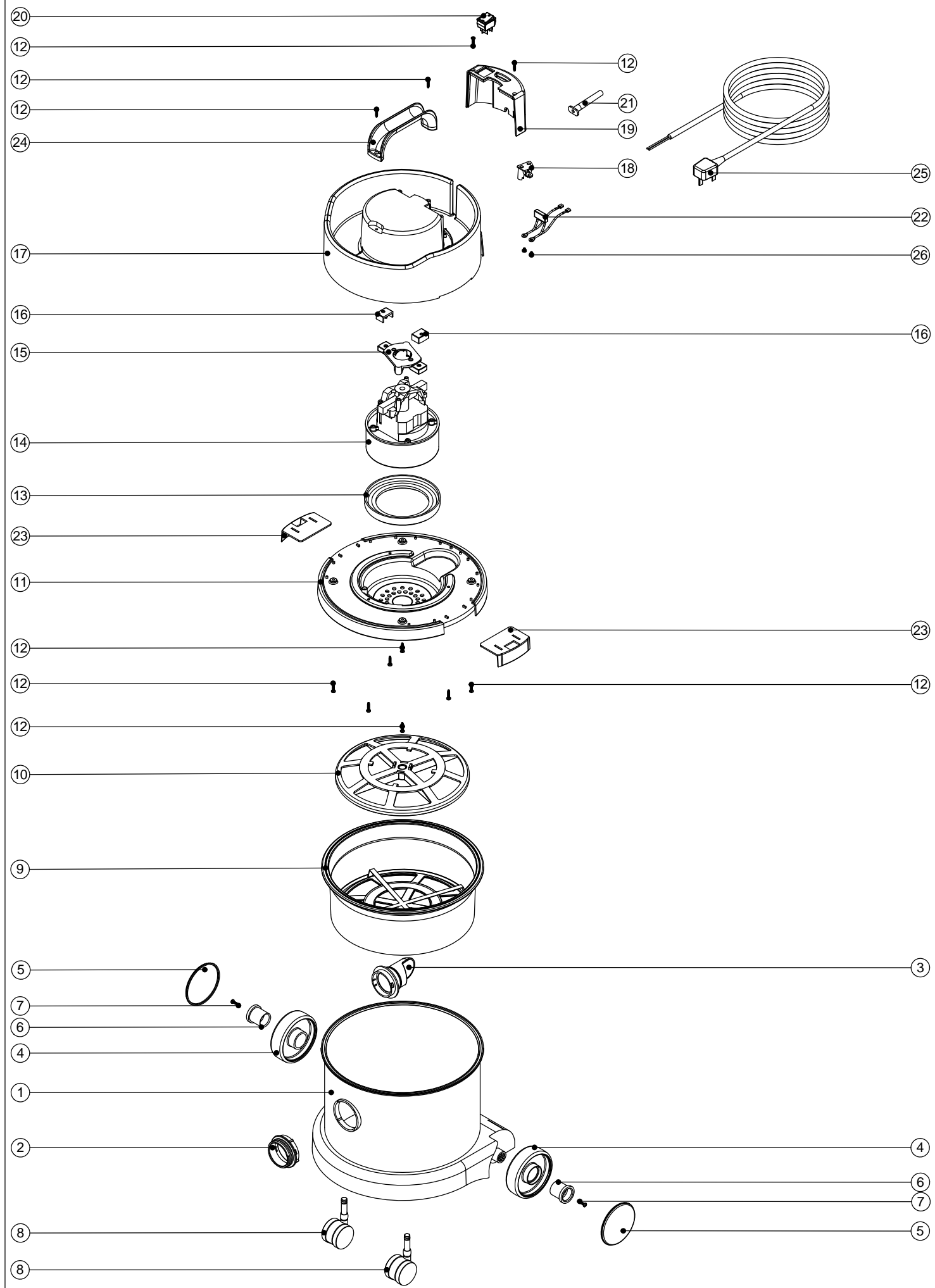
**Model No: NVH370-2**

POS:	ITEM NO:	DESCRIPTION:	COMMENTS:
1	225119	GREY MOULDED DRUM + FACE	
2	227346	GREY THREADED NECK	
3	227363	BAG CONNECTOR	
4	227640	2 SHOT WHEEL ASSEMBLY	
5	227638	BLACK TRIM	
6	227868	WHEEL HUB FOR 2 SHOT WHEEL	
7	219105	No8 X 5/8 INCH LONG POZI PAN PLASTITE SCREW	
8	204111	50MM TWIN WHEEL CASTOR WITH PU TYRE	
9	207098	WHITE FILTER (SMS) + U GASKET	
10	209050	SINGLE FILTER GRID	
11	227895	GREY BOTTOM MOTOR HOUSING	
12	219041	No8 X 3/4 INCH LONG POZI PAN SCREW	
13	227882	BOTTOM MOTOR GASKET	
14	205403	240V 2 STAGE THRO FLOW TAPER FAN MOTOR (DL21104T) TCO	
	205402	220V 2 STAGE THRO FLOW TAPER FAN MOTOR (DL21102T) TCO	
	205401	120V 2 STAGE THRO FLOW TAPER FAN MOTOR (DL21101T) TCO	
15	227881	MOTOR PLATE	
16	227438	RUBBER END PAD	
17	325481	GREY ROUND EDGE TOP (LAMB MOTOR & PRINTED BLACK NUMATIC)	
18	325212	TERMINAL BLOCK + INSERTS	
19	227912	GREY SWITCH COVER	
20	220552	RED ROCKER SWITCH	
21	220923	STRESS RELIEF	
22	220698	SUPPRESSOR ASSEMBLY	240V & 120V MACHINES
	230213	SUPPRESSOR & FERRITE ASSEMBLY	220V MACHINES
23	227115	TOGGLE	
24	206451	HANDLE	
25	236033	10.0M X 1.00MM X 2 CORE CABLE (UK PLUG)	
	236034	10.0M X 1.00MM X 2 CORE CABLE (EURO PLUG)	
	236049	10.0M X 1.00MM X 2 CORE CABLE (16 AMP INDUSTRIAL PLUG)	
26	219090	M4 X 8MM LONG POZI PAN SEMS SCREW	

# Numatic International Spare Parts

Model No: NVH370-2 EXPLODED DRAWING (EXP-0833)

234402  
DRAWING: EXP-0833 ISS:A03  
06/07/2011



# Numatic International Spare Parts

Model No: NVH370-2 EXPLODED DRAWING (EXP-0833)

POS:	ITEM NO:	DESCRIPTION:	COMMENTS:
1	225119	GREY MOULDED DRUM + FACE	
2	227346	GREY THREADED NECK	
3	227363	BAG CONNECTOR	
4	227640	2 SHOT WHEEL ASSEMBLY	
5	227638	BLACK PLAIN TRIM	
6	227868	WHEEL HUB FOR 2 SHOT WHEEL	
7	219105	No8 X 5/8 INCH LONG POZI PAN PLASTITE SCREW	
8	204111	50MM TWIN WHEEL CASTOR WITH PU TYRE	
9	207109	12 INCH FILTER (DOUBLE BOTTOM) 160GRM SMS	
10	209050	SINGLE FILTER GRID	
11	227895	GREY BOTTOM MOTOR HOUSING	
12	219041	No8 X 3/4 INCH LONG POZI PAN SCREW	
13	227882	BOTTOM MOTOR GASKET	
14	205403	230V 2 STAGE THRO FLOW TAPER FAN MOTOR (DL21104T) TCO	
	205401	120V 2 STAGE THRO FLOW TAPER FAN MOTOR (DL21101T) TCO	
15	227881	MOTOR PLATE	
16	227438	RUBBER END PAD	
17	325481	GREY ROUND EDGE TOP (LAMB MOTOR & PRINTED BLACK NUMATIC)	
18	325212	TERMINAL BLOCK + INSERTS	
19	227912	GREY SWITCH COVER	
20	220552	RED ROCKER SWITCH	
21	220923	STRESS RELIEF	
22	220698	SUPPRESSOR ASSEMBLY	240V & 120V MACHINES
	230213	SUPPRESSOR & FERRITE ASSEMBLY	220V MACHINES
23	227115	TOGGLE	
24	206451	HANDLE	
25	236033	10.0M X 1.00MM X 2 CORE CABLE (UK PLUG)	
	236034	10.0M X 1.00MM X 2 CORE CABLE (EURO PLUG)	
	236049	10.0M X 1.00MM X 2 CORE CABLE (16 AMP INDUSTRIAL PLUG)	
26	219090	M4 X 8MM LONG POZI PAN SEMS SCREW	