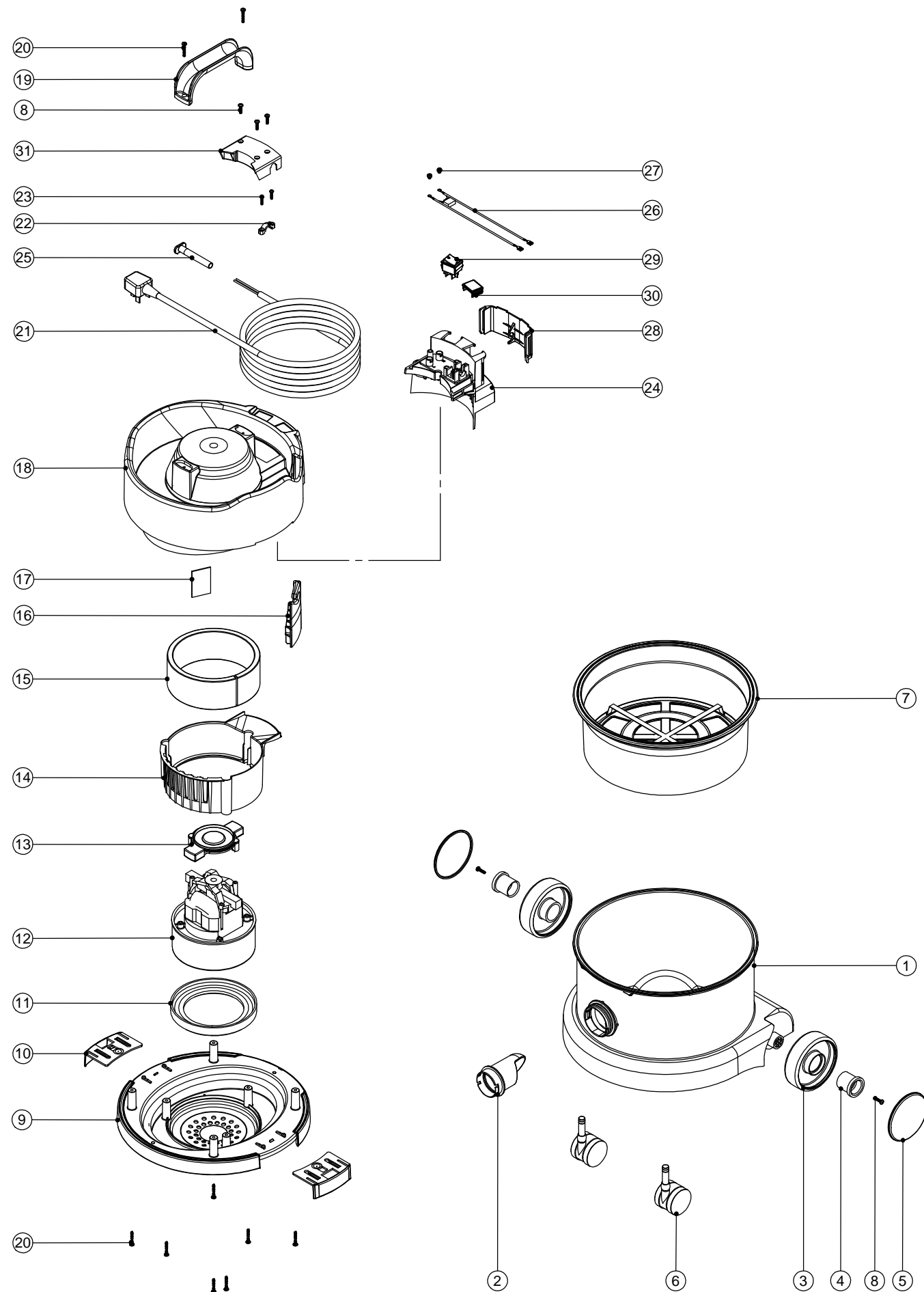


# Numatic International Spare Parts

**Model No:** NVH 180/200/370-2 ASSEMBLY DRAWING (PSH STYLE HEAD)

234864  
DRAWING:DRW-11335 ISS:A01  
21/02/2012

**NB: FOR WIRING SEE DRAWING: DRW-10912**



# Numatic International Spare Parts

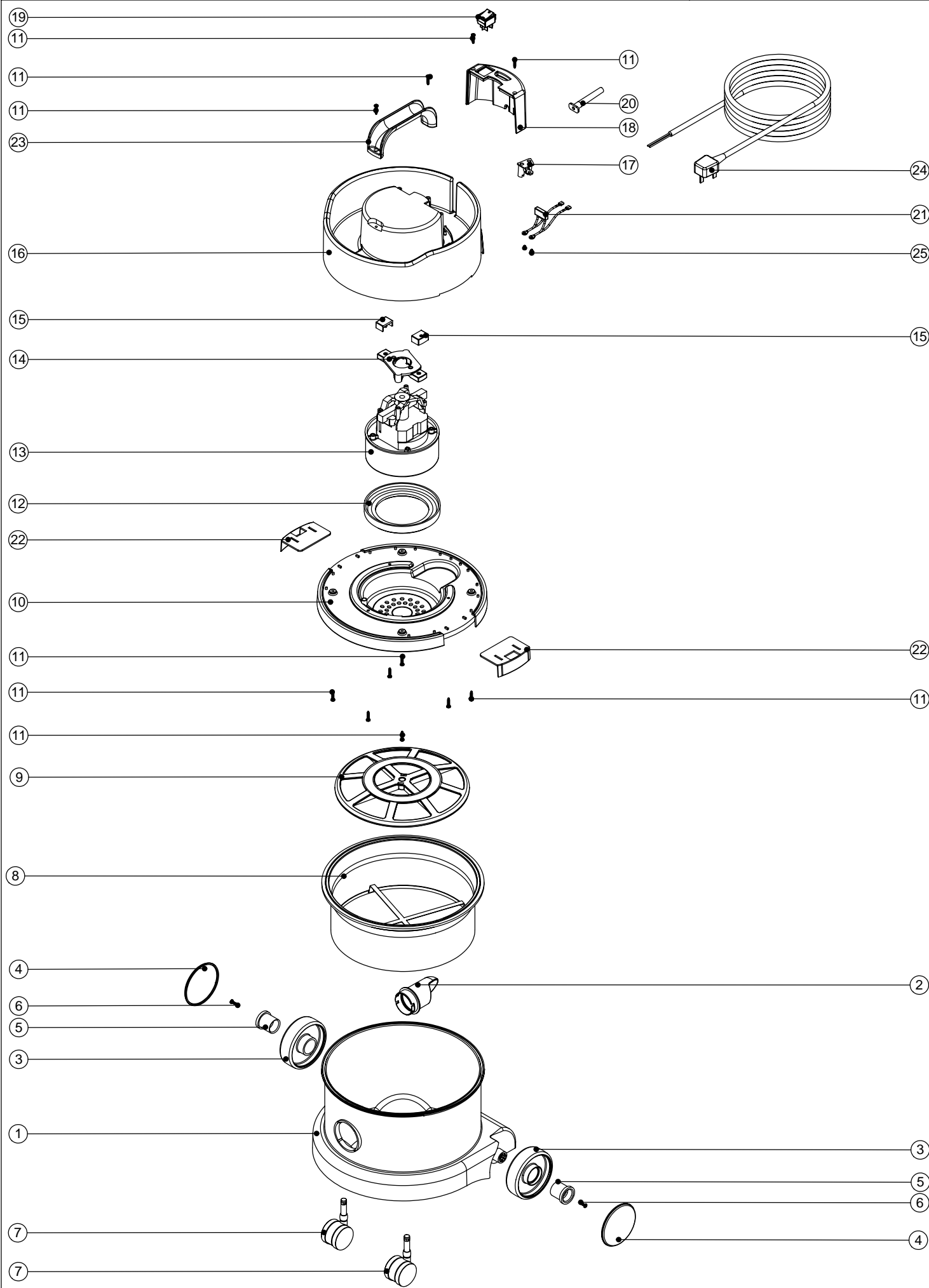
**Model No:** NVH 180/200/370-2 ASSEMBLY DRAWING (PSH STYLE HEAD)

ITEM:	PART No:	DESCRIPTION	COMMENTS:
1	225170	200 GREY CONTAINER	
	225302	200 BLUE CONTAINER	
	227450	370 GREY CONTAINER	
	227609	370 BLUE CONTAINER	
	227575	180 MID BLUE CONTAINER	
	227478	180 GREY CONTAINER	
2	229768	BAG CONNECTOR (2006)	200 CONTAINER
	237119	FRONT FIT BAG CONNECTOR	180 CONTAINER
	227363	BAG CONNECTOR	370 CONTAINER
	227346	THREADED NECK (GREY)	370 CONTAINER
	227397	BLUE THREADED NECK	370 CONTAINER
3	227640	2 SHOT WHEEL ASSEMBLY	
4	227868	WHEEL HUB FOR 2 SHOT WHEEL	
5	227638	BLACK TRIM	
	227688	BLUE TRIM	
6	204111	50MM TWIN WHEEL CASTOR WITH PU TYRE	200, 370 CONTAINER
	204000	40MM PU-TYRED BLACK TWIN WHEEL CASTOR	180 CONTAINER
7	207109	12 INCH FILTER (DOUBLE BOTTOM) 160GRM SMS	
8	219105	No8 X 5/8 INCH LONG POZI PAN PLASTITE SCREW	
9	229716	BOTTOM MOTOR HOUSING (TWIN-SHOT)	
10	229715	TOGGLE (TWIN SHOT)	
11	227882	BOTTOM MOTOR GASKET	
12	205403	230V 2 STAGE THRO FLOW TAPER FAN MOTOR (DL21104T) TCO	
	205401	120V 2 STAGE THRO FLOW TAPER FAN MOTOR (DL21101T) TCO	
13	229614	MOTOR PLATE BI -MATERIAL	
14	229621	AIR GUIDE	
15	203020	POD SIDE FELT	
16	237079	CABLE EXIT NPV/NHV	
17	227957	BLANKING PLATE	
18	325917	GREY TOP MOTOR HOUSING (PRINTED BLACK NUMATIC)	
	325953	NSP / PSP TOP MOTOR HOUSING (BLACK) PRINTED WHITE NUMATIC	
	325956	NSP / PSP TOP MOTOR HOUSING (MID BLUE) PRINTED WHITE NUMATIC	
19	206451	HANDLE	
20	219104	No8 X 1 INCH LONG POZI PAN PLASTITE SCREW	
21	236033	10.0M X 1.00MM X 2 CORE CABLE (UK PLUG)	
	236034	10.0MT X 1.0MM X 2 CORE EURO PLUG	
	236101	10M X 2 CORE X 1.25MM VCTF CABLE (JAPAN)	
	236047	10.0M X 0.75MM X 2 CORE CABLE (SWISS PLUG)	
22	227564	PLUG LOCATION CLAMP	
23	219107	No6 X 5/8 INCH LONG POZI PAN PLASTITE SCREW	
24	237389	PSP/NSP HARDWIRED SWITCH HOUSING INSERTED (2 X M4 BRASS INSERTS) (BLACK)	
25	220541	CABLE STRESS RELIEF	
26	230170	SUPPRESSOR WIRE ASSY NPV/NHV	
27	219090	M4 X 8MM LONG POZI PAN SEMS SCREW	
28	229623	SWITCH COVER	
29	220552	RED ROCKER SWITCH	
30	237082	BLANKING PLUG - ROCKER SWITCH	
31	237080	NHV HARDWIRED SWITCH HOUSING COVER (BLACK)	

# Numatic International Spare Parts

Model No: NVH200-2

234401  
DRAWING: EXP-0832 ISS:A04  
14/08/2007



# Numatic International Spare Parts

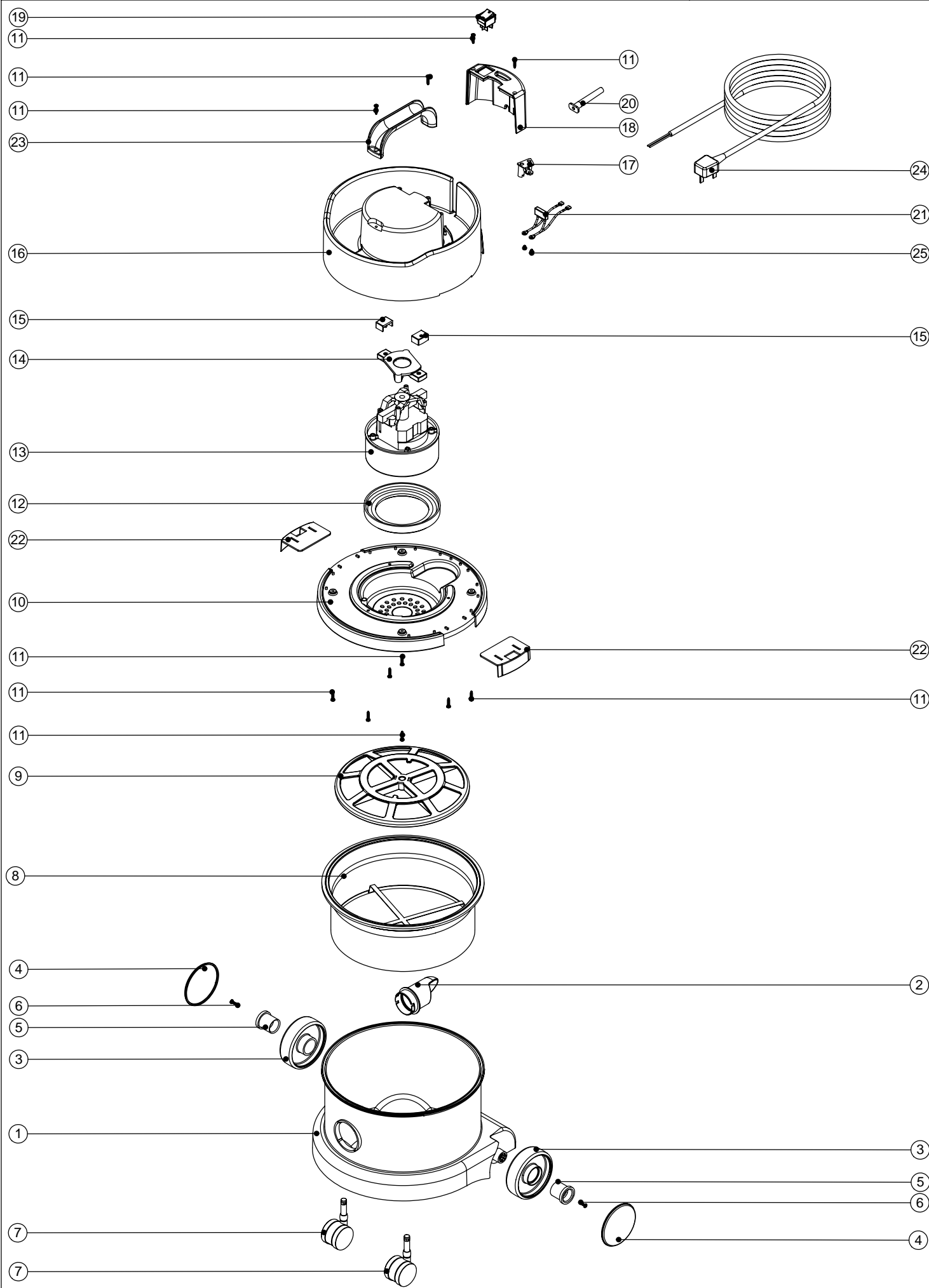
Model No: NVH200-2

POS:	ITEM NO:	DESCRIPTION:	COMMENTS:
1	225190	GREY MOULDED DRUM PLUS FACE	
	225191	RED MOULDED DRUM PLUS FACE	
	225192	BLUE MOULDED DRUM PLUS FACE	
	225193	GREEN MOULDED DRUM PLUS FACE	
	225194	YELLOW MOULDED DRUM PLUS FACE	
2	229768	BAG CONNECTOR	
3	227640	2 SHOT WHEEL ASSEMBLY	
4	227638	BLACK PLAIN TRIM	
5	227868	WHEEL HUB FOR 2 SHOT WHEEL	
6	219105	No8 X 5/8 INCH LONG POZI PAN PLASTITE SCREW	
7	204111	50MM TWIN WHEEL CASTOR WITH PU TYRE	
8	207109	12 INCH FILTER (DOUBLE BOTTOM) 160GRM SMS	INCLUDES ITEM 9 (209200)
9	209200	12 INCH FILTER GRID	
10	227895	GREY BOTTOM MOTOR HOUSING	
	227897	YELLOW BOTTOM MOTOR HOUSING	
	227898	RED BOTTOM MOTOR HOUSING	
	227899	GREEN BOTTOM MOTOR HOUSING	
	227896	BLACK BOTTOM MOTOR HOUSING	
11	219041	No8 X 3/4 INCH LONG POZI PAN SCREW	
12	227882	BOTTOM MOTOR GASKET	
13	205403	240V 2 STAGE THRO FLOW TAPER FAN MOTOR (DL21104T) TCO	
	205402	220V 2 STAGE THRO FLOW TAPER FAN MOTOR (DL21102T) TCO	
	205401	120V 2 STAGE THRO FLOW TAPER FAN MOTOR (DL21101T) TCO	
14	227881	MOTOR PLATE	
15	227438	RUBBER END PAD	
16	325481	GREY ROUND EDGE TOP (LAMB MOTOR & PRINTED BLACK NUMATIC)	
	325744	BLACK ROUND EDGE TOP (PRINTED WHITE BERTIE)	NVH200-2 BERTIE
17	325212	TERMINAL BLOCK + INSERTS	
18	227912	GREY SWITCH COVER	
	227913	BLACK SWITCH COVER	
	227914	YELLOW SWITCH COVER	
	227915	RED SWITCH COVER	
	227916	GREEN SWITCH COVER	
19	220552	RED ROCKER SWITCH	
20	220923	STRESS RELIEF	
21	220698	SUPPRESSOR ASSEMBLY	240V & 120V MACHINES
	230213	SUPPRESSOR & FERRITE ASSEMBLY	220V MACHINES
22	227115	TOGGLE	
23	206451	HANDLE	
24	236033	10.0M X 1.00MM X 2 CORE CABLE (UK PLUG)	
	236034	10.0M X 1.00MM X 2 CORE CABLE (EURO PLUG)	
	236049	10.0M X 1.00MM X 2 CORE CABLE (16 AMP INDUSTRIAL PLUG)	
25	219090	M4 X 8MM LONG POZI PAN SEMS SCREW	

# Numatic International Spare Parts

Model No: NVH200-2

234401  
DRAWING: EXP-0832 ISS:A03  
19/06/2007



# Numatic International Spare Parts

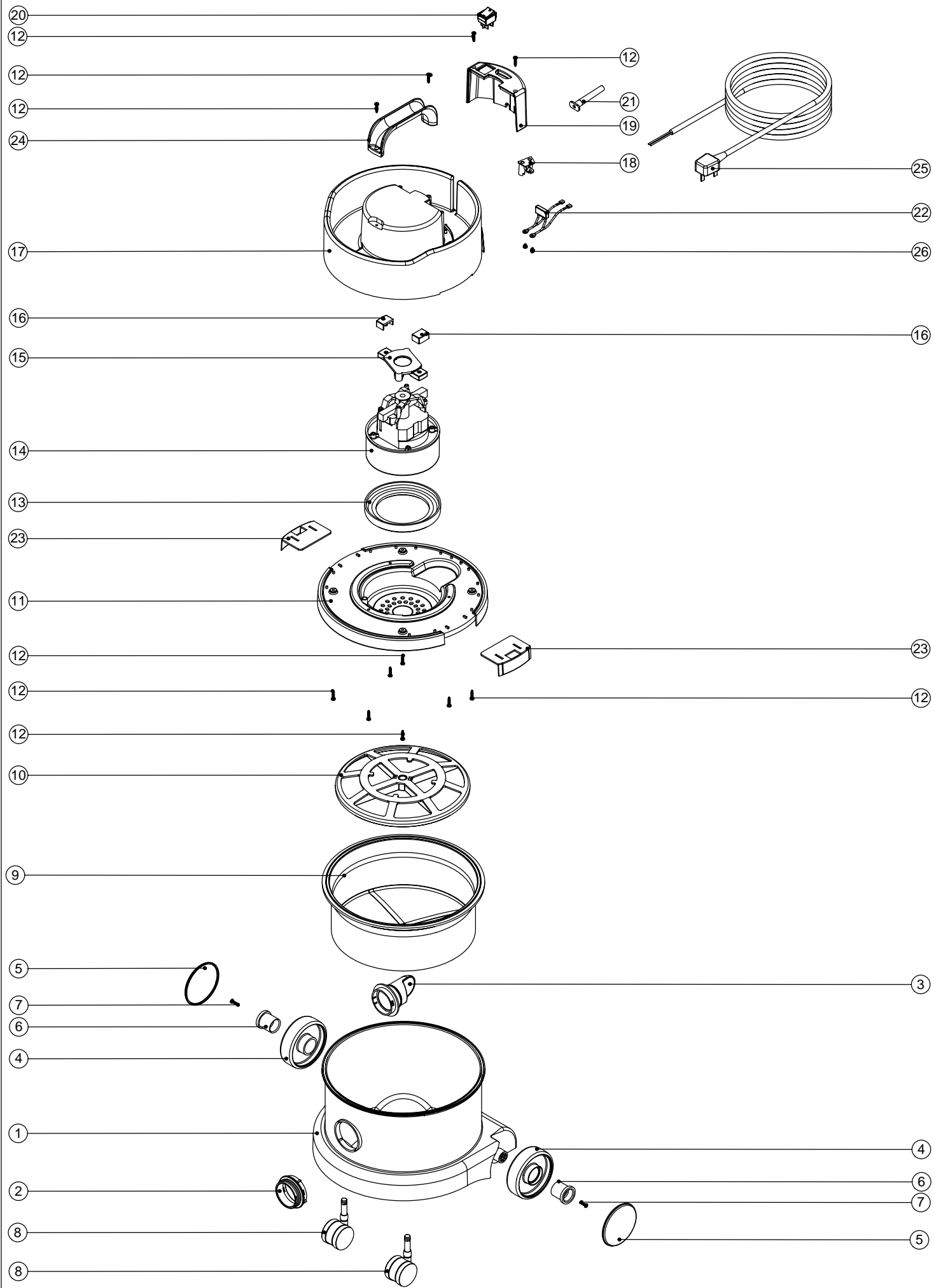
Model No: NVH200-2

POS:	ITEM NO:	DESCRIPTION:	COMMENTS:
1	225190	GREY MOULDED DRUM PLUS FACE	
	225191	RED MOULDED DRUM PLUS FACE	
	225192	BLUE MOULDED DRUM PLUS FACE	
	225193	GREEN MOULDED DRUM PLUS FACE	
	225194	YELLOW MOULDED DRUM PLUS FACE	
2	229768	BAG CONNECTOR	
3	227640	2 SHOT WHEEL ASSEMBLY	
4	227638	BLACK PLAIN TRIM	
5	227868	WHEEL HUB FOR 2 SHOT WHEEL	
6	219105	No8 X 5/8 INCH LONG POZI PAN PLASTITE SCREW	
7	204111	50MM TWIN WHEEL CASTOR WITH PU TYRE	
8	207109	12 INCH FILTER (DOUBLE BOTTOM) 160GRM SMS	
9	209050	SINGLE FILTER GRID	
10	227895	GREY BOTTOM MOTOR HOUSING	
	227897	YELLOW BOTTOM MOTOR HOUSING	
	227898	RED BOTTOM MOTOR HOUSING	
	227899	GREEN BOTTOM MOTOR HOUSING	
	227896	BLACK BOTTOM MOTOR HOUSING	
11	219041	No8 X 3/4 INCH LONG POZI PAN SCREW	
12	227882	BOTTOM MOTOR GASKET	
13	205403	240V 2 STAGE THRO FLOW TAPER FAN MOTOR (DL21104T) TCO	
	205402	220V 2 STAGE THRO FLOW TAPER FAN MOTOR (DL21102T) TCO	
	205401	120V 2 STAGE THRO FLOW TAPER FAN MOTOR (DL21101T) TCO	
14	227881	MOTOR PLATE	
15	227438	RUBBER END PAD	
	325744	BLACK ROUND EDGE TOP (PRINTED WHITE BERTIE)	NVH200-2 BERTIE
16	325481	GREY ROUND EDGE TOP (LAMB MOTOR & PRINTED BLACK NUMATIC)	
17	325212	TERMINAL BLOCK + INSERTS	
	227913	BLACK SWITCH COVER	
	227914	YELLOW SWITCH COVER	
	227915	RED SWITCH COVER	
	227916	GREEN SWITCH COVER	
18	227912	GREY SWITCH COVER	
19	220552	RED ROCKER SWITCH	
	230213	SUPPRESSOR & FERRITE ASSEMBLY	220V MACHINES
20	220923	STRESS RELIEF	
21	220698	SUPPRESSOR ASSEMBLY	240V & 120V MACHINES
22	227115	TOGGLE	
23	206451	HANDLE	
	236034	10.0M X 1.00MM X 2 CORE CABLE (EURO PLUG)	
	236049	10.0M X 1.00MM X 2 CORE CABLE (16 AMP INDUSTRIAL PLUG)	
24	236033	10.0M X 1.00MM X 2 CORE CABLE (UK PLUG)	
25	219090	M4 X 8MM LONG POZI PAN SEMS SCREW	

# Numatic International Spare Parts

Model No: NVH200-2

234401  
DRAWING: EXP-0832 ISS:A02  
11/01/2006



# Numatic International Spare Parts

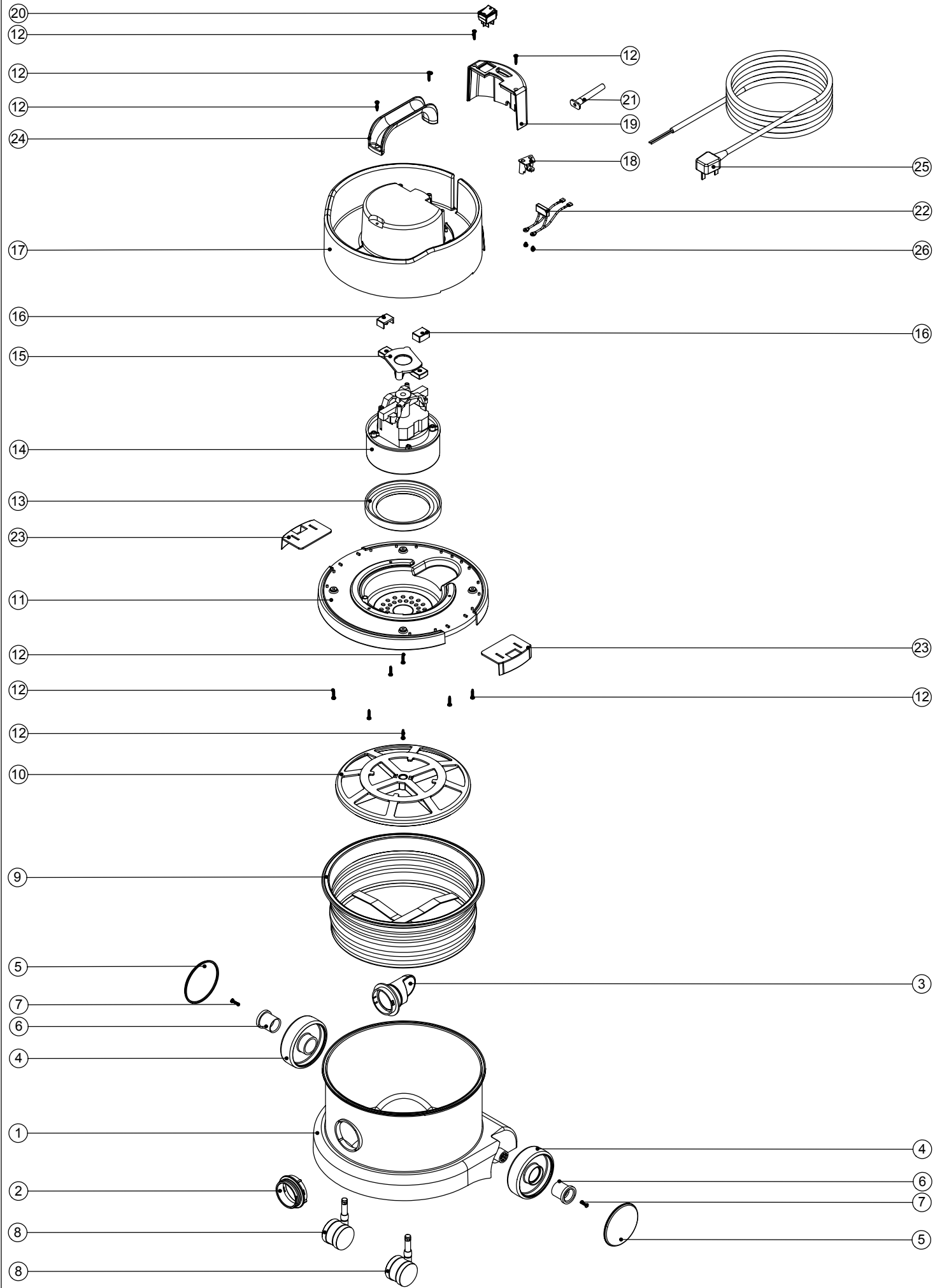
Model No: NVH200-2

POS:	ITEM NO:	DESCRIPTION:	COMMENTS:
1	225190	GREY MOULDED DRUM PLUS FACE	
2	227346	GREY THREADED NECK	
3	227363	BAG CONNECTOR	
4	227640	2 SHOT WHEEL ASSEMBLY	
5	227638	BLACK PLAIN TRIM	
6	227868	WHEEL HUB FOR 2 SHOT WHEEL	
7	219105	No8 X 5/8 INCH LONG POZI PAN PLASTITE SCREW	
8	204111	50MM TWIN WHEEL CASTOR WITH PU TYRE	
9	207109	12 INCH FILTER (DOUBLE BOTTOM) 160GRM SMS	
10	209050	SINGLE FILTER GRID	
11	227895	GREY BOTTOM MOTOR HOUSING	
12	219041	No8 X 3/4 INCH LONG POZI PAN SCREW	
13	227882	BOTTOM MOTOR GASKET	
14	205403	240V 2 STAGE THRO FLOW TAPER FAN MOTOR (DL21104T) TCO	
	205402	220V 2 STAGE THRO FLOW TAPER FAN MOTOR (DL21102T) TCO	
	205401	120V 2 STAGE THRO FLOW TAPER FAN MOTOR (DL21101T) TCO	
15	227881	MOTOR PLATE	
16	227438	RUBBER END PAD	
17	325481	GREY ROUND EDGE TOP (LAMB MOTOR & PRINTED BLACK NUMATIC)	
18	325212	TERMINAL BLOCK + INSERTS	
19	227912	GREY SWITCH COVER	
20	220552	RED ROCKER SWITCH	
21	220923	STRESS RELIEF	
22	220698	SUPPRESSOR ASSEMBLY	240V & 120V MACHINES
	230213	SUPPRESSOR & FERRITE ASSEMBLY	220V MACHINES
23	227115	TOGGLE	
24	206451	HANDLE	
25	236033	10.0M X 1.00MM X 2 CORE CABLE (UK PLUG)	
	236034	10.0M X 1.00MM X 2 CORE CABLE (EURO PLUG)	
	236049	10.0M X 1.00MM X 2 CORE CABLE (16 AMP INDUSTRIAL PLUG)	
26	219090	M4 X 8MM LONG POZI PAN SEMS SCREW	

# Numatic International Spare Parts

Model No: NVH200-2

234401  
DRAWING: EXP-0832 ISS:A01  
08/11/2005



# Numatic International Spare Parts

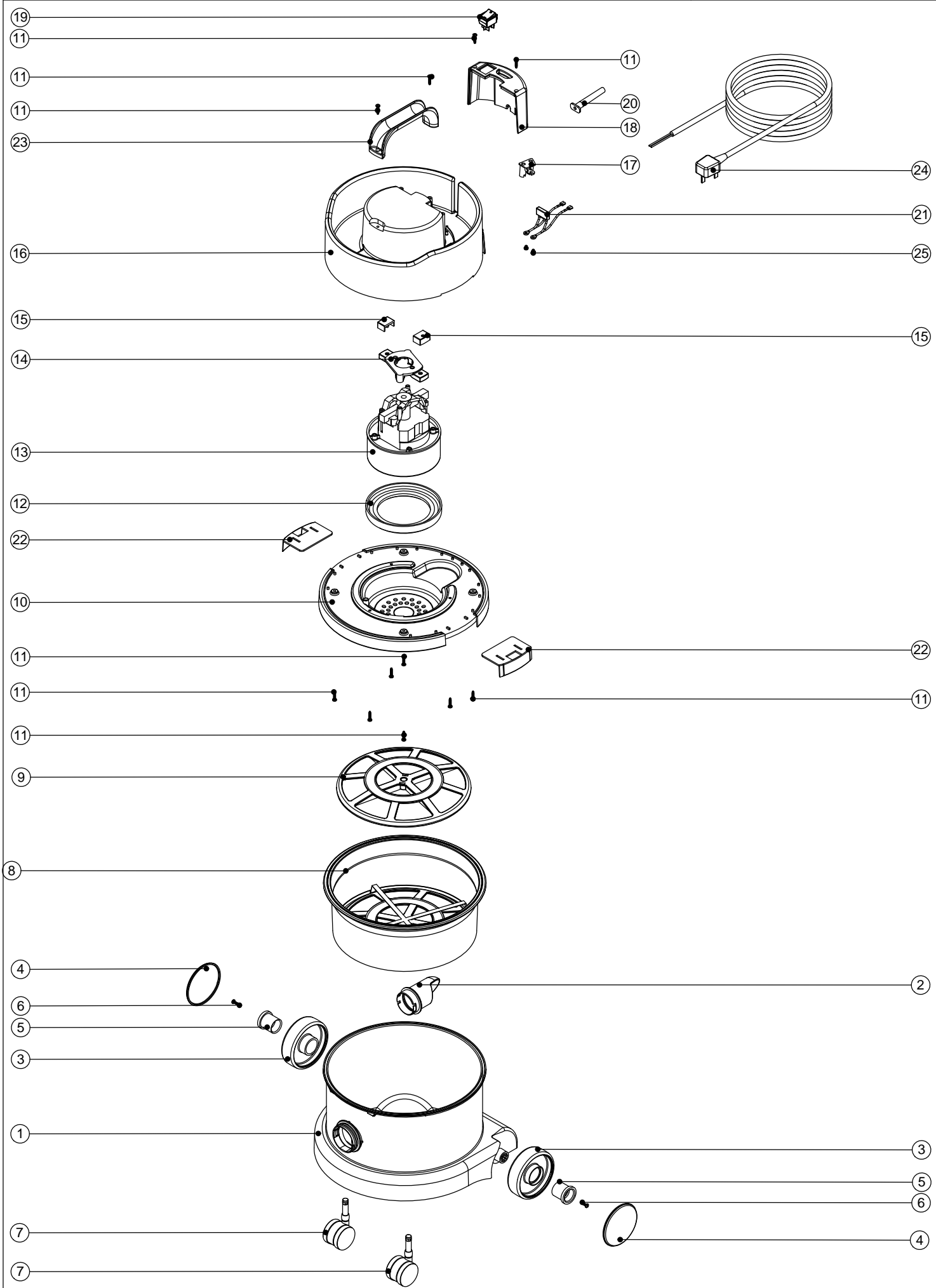
Model No: NVH200-2

POS:	ITEM NO:	DESCRIPTION:	COMMENTS:
1	225190	GREY MOULDED DRUM PLUS FACE	
2	227346	GREY THREADED NECK	
3	227363	BAG CONNECTOR	
4	227640	2 SHOT WHEEL ASSEMBLY	
5	227638	BLACK TRIM	
6	227868	WHEEL HUB FOR 2 SHOT WHEEL	
7	219105	No8 X 5/8 INCH LONG POZI PAN PLASTITE SCREW	
8	204111	50MM TWIN WHEEL CASTOR WITH PU TYRE	
9	207098	WHITE FILTER (SMS) + U GASKET	
10	209050	SINGLE FILTER GRID	
11	227895	GREY BOTTOM MOTOR HOUSING	
12	219041	No8 X 3/4 INCH LONG POZI PAN SCREW	
13	227882	BOTTOM MOTOR GASKET	
14	205403	240V 2 STAGE THRO FLOW TAPER FAN MOTOR (DL21104T) TCO	
	205402	220V 2 STAGE THRO FLOW TAPER FAN MOTOR (DL21102T) TCO	
	205401	120V 2 STAGE THRO FLOW TAPER FAN MOTOR (DL21101T) TCO	
15	227881	MOTOR PLATE	
16	227438	RUBBER END PAD	
17	325481	GREY ROUND EDGE TOP (LAMB MOTOR & PRINTED BLACK NUMATIC)	
18	325212	TERMINAL BLOCK + INSERTS	
19	227912	GREY SWITCH COVER	
20	220552	RED ROCKER SWITCH	
21	220923	STRESS RELIEF	
22	220698	SUPPRESSOR ASSEMBLY	240V & 120V MACHINES
	230213	SUPPRESSOR & FERRITE ASSEMBLY	220V MACHINES
23	227115	TOGGLE	
24	206451	HANDLE	
25	236033	10.0M X 1.00MM X 2 CORE CABLE (UK PLUG)	
	236034	10.0M X 1.00MM X 2 CORE CABLE (EURO PLUG)	
	236049	10.0M X 1.00MM X 2 CORE CABLE (16 AMP INDUSTRIAL PLUG)	
26	219090	M4 X 8MM LONG POZI PAN SEMS SCREW	

# Numatic International Spare Parts

Model No: NVH200-2 EXPLODED DRAWING (EXP-0832)

234401  
DRAWING: EXP-0832 ISS:A05  
06/07/2011



# Numatic International Spare Parts

Model No: NVH200-2 EXPLODED DRAWING (EXP-0832)

ITEM NO.	Item_No	DESCRIPTION	COMMENTS
1	225190	GREY MOULDED DRUM PLUS FACE	
	225191	RED MOULDED DRUM PLUS FACE	
	225192	BLUE MOULDED DRUM PLUS FACE	
	225193	GREEN MOULDED DRUM PLUS FACE	
	225194	YELLOW MOULDED DRUM PLUS FACE	
2	229768	BAG CONNECTOR (2006)	
3	227640	2 SHOT WHEEL ASSEMBLY	
4	227638	BLACK PLAIN TRIM	
5	227868	WHEEL HUB FOR 2 SHOT WHEEL	
6	219105	No8 X 5/8 INCH LONG POZI PAN PLASTITE SCREW	
7	204111	50MM TWIN WHEEL CASTOR WITH PU TYRE	
8	207109	12 INCH FILTER (DOUBLE BOTTOM) 160GRM SMS	INCLUDES ITEM 9 (209200)
9	209200	12 INCH FILTER GRID	
10	227895	GREY BOTTOM MOTOR HOUSING	
	227897	YELLOW BOTTOM MOTOR HOUSING	
	227898	RED BOTTOM MOTOR HOUSING	
	227899	GREEN BOTTOM MOTOR HOUSING	
	227896	BLACK BOTTOM MOTOR HOUSING	
11	219041	No8 X 3/4 INCH LONG POZI PAN SCREW	
12	227882	BOTTOM MOTOR GASKET	
13	205403	230V 2 STAGE THRO FLOW TAPER FAN MOTOR (DL21104T) TCO	
	205401	120V 2 STAGE THRO FLOW TAPER FAN MOTOR (DL21101T) TCO	
14	227881	MOTOR PLATE	
15	227438	RUBBER END PAD	
16	325481	GREY ROUND EDGE TOP (LAMB MOTOR & PRINTED BLACK NUMATIC)	
35	325744	BLACK ROUND EDGE TOP (PRINTED WHITE BERTIE)	NVH200-2 BERTIE
17	325212	TERMINAL BLOCK + INSERTS	
18	227912	GREY SWITCH COVER	
	227913	BLACK SWITCH COVER	
	227914	YELLOW SWITCH COVER	
	227915	RED SWITCH COVER	
	227916	GREEN SWITCH COVER	
19	220552	RED ROCKER SWITCH	
20	220923	STRESS RELIEF	
21	220698	SUPPRESSOR ASSEMBLY	240V & 120V MACHINES
	230213	220V SUPPRESSOR AND FERRITE BEAD ASSEMBLY	220V MACHINES
22	227115	TOGGLE	
23	206451	HANDLE	
24	236033	10.0M X 1.00MM X 2 CORE CABLE (UK PLUG)	
	236034	10.0M X 1.00MM X 2 CORE CABLE (EURO PLUG)	
	236049	10.0M X 1.50MM X 2 CORE CABLE (INDUSTRIAL PLUG)	
25	219090	M4 X 8MM LONG POZI PAN SEMS SCREW	