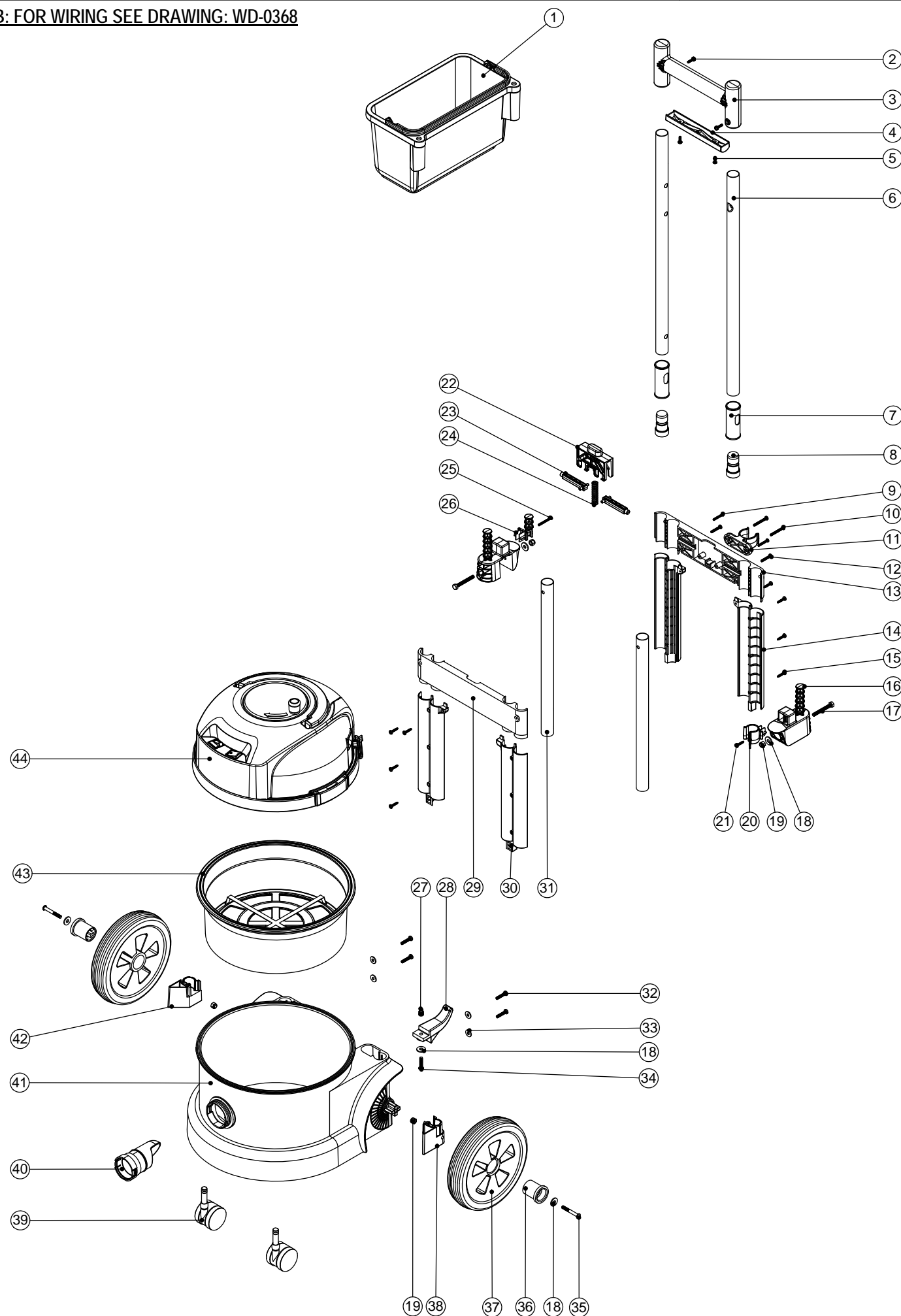


Numatic International Spare Parts

Model No: NST-220 EXPLODED DRAWING

NB: FOR WIRING SEE DRAWING: WD-0368

234763
DRAWING: DRW-6192 ISS:A01
19/04/2011



Numatic International Spare Parts

Model No: NST-220 EXPLODED DRAWING

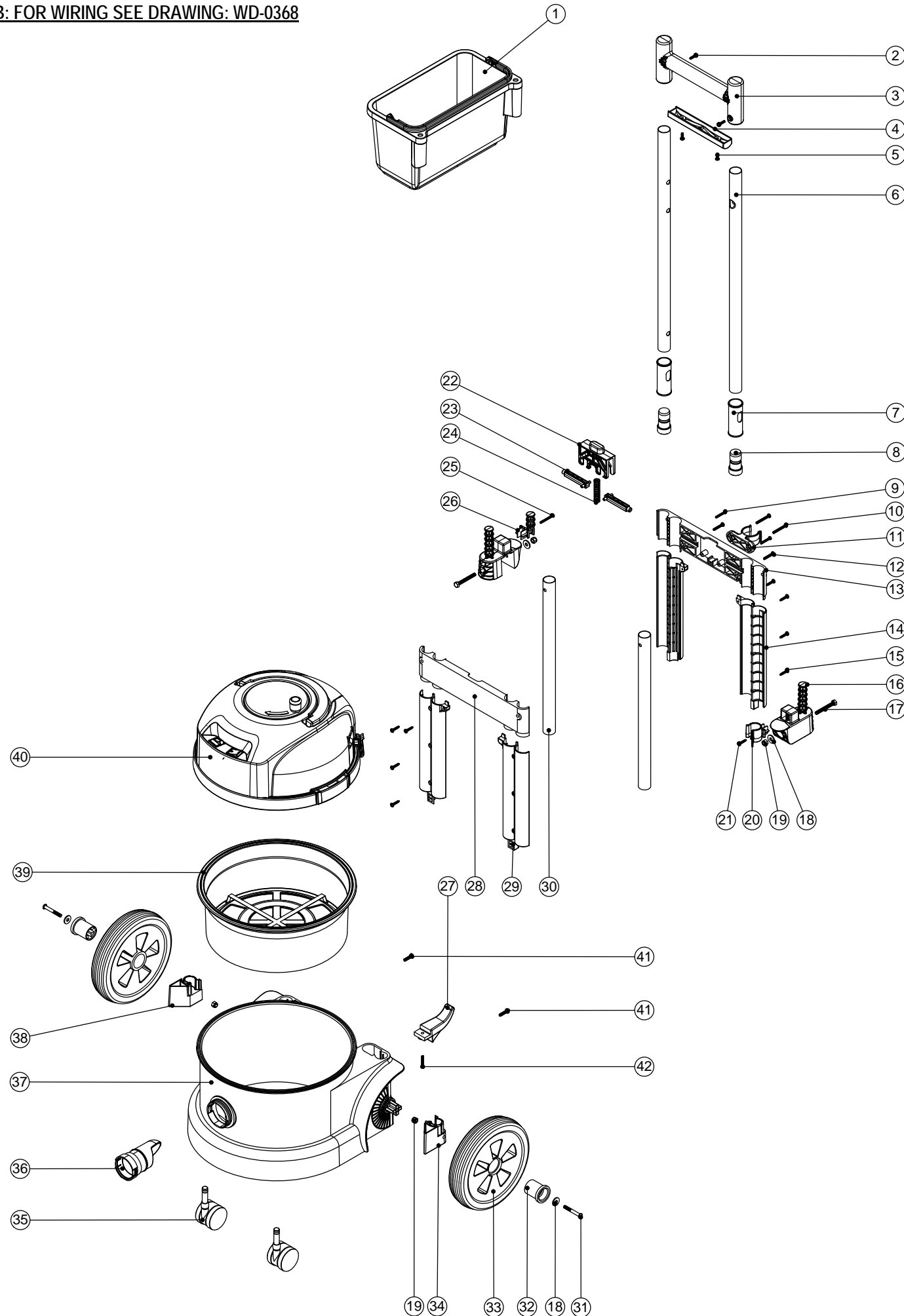
POS:	ITEM NO:	DESCRIPTION	COMMENTS
1	360002	5L GREEN SWING CADDY ASSY	
2	219472	M4 X 16MM LONG POZI PAN SEMS SCREW	
3	237157	HANDLE BODY (TROLLEY VAC)	
4	237158	HANDLE CAP (TROLLEY VAC)	
5	219101	No8 X 1/2 INCH LONG POZI PAN PLASTIITE SCREW	
6	391360	220 MOVING TUBE (TROLLEY VAC)	
7	237145	SLIDER SLEEVE (TROLLEY VAC)	
8	237147	SLIDER END STOP (TROLLEY VAC)	
9	291006	No6 X 1 INCH LONG POZI PAN PLASTITE SCREW JAPANED	
10	219622	M4.35MM LG.POZI-PAN.SCREW.Z/PL	
11	237154	WAND CLIP (TROLLEY VAC)	
12	219267	M4 X 20MM LONG POZI PAN SEMS SCREW	
13	237152	CROSS BAR REAR (TROLLEY VAC)	
14	237149	HANDLE UPRIGHT HOLES (TROLLEY VAC)	
15	291005	No6 X 5/8 INCH LONG POZI PAN PLASTITE SCREW JAPANED	
16	237156	BUCKET MOUNT (TROLLEY VAC)	
17	219315	M6 X 50MM LONG BOLT	
18	219008	M6 FORM G WASHER	
19	219088	M6 NYLON INSERT NUT	
20	237155	BUCKET CLIP (TROLLEY VAC)	
21	219107	No6 X 5/8 INCH LONG POZI PAN PLASTITE SCREW	
22	237148	PLUNGER BUTTON (TROLLEY VAC)	
23	237146	PLUNGER PIN (TROLLEY VAC)	
24	291009	SPRING (TROLLEY VAC)	
25	219848	NO6 X 1 3/8 INCH LONG POZI PAN SCREW	
26	237166	SWING BUCKET CLIP IN PEG	
27	219450	M6 BRASS INSERT	
28	237121	TROLLEY VAC BALL HITCH	
29	325813	CROSS BAR FRONT + INSERTS (TROLLEY VAC)	
30	237150	HANDLE UPRIGHT FAKE SCREW (TROLLEY VAC)	
31	391361	220 FIXED TUBE (TROLLEY VAC)	
32	219057	M5 X 25MM LONG POZI PAN SCREW	
33	219005	M5 FORM G WASHER	
34	291016	M6 X 25MM SOCKET BUTTON HEAD SCREW	
35	219881	M6 X 45MM SOCKET BUTTON HEAD SCREW	
36	237120	HUB CAP	
37	204104	8 INCH WHEEL	
38	237163	HUB SUPPORT RIGHT (TROLLEY VAC)	
39	204111	50MM TWIN WHEEL CASTOR WITH PU TYRE	
40	237119	FRONT FIT BAG CONNECTOR	
41	237179	220 DRUM - GREEN (TROLLEY VAC)	
42	237164	HUB SUPPORT LEFT (TROLLEY VAC)	
43	207109	12 INCH FILTER (DOUBLE BOTTOM) 160GRM SMS	
44	583201	NSR200A BLACK HEAD ASM DAF 800W V16 12.5M (NUMATIC AUTOSAVE FLOWER)	FOR EXPLODED HEAD SEE DRW-5228
	583196	NSR200A BLACK HEAD ASM DAF 800W V30 12.5M (NUMATIC AUTOSAVE FLOWER)	
	583220	NSR200A BLACK HEAD ASM DAF 800W V53 12.5M (NUMATIC AUTOSAVE FLOWER)	
	583251	NSR200A BLACK HEAD ASM DAF 800W V83 12.5M (NUMATIC AUTOSAVE FLOWER)	
	583254	NSR200A BLACK HEAD ASM DAF 800W V81 (NUMATIC AUTOSAVE FLOWER)	

Numatic International Spare Parts

Model No: NST-220 EXPLODED DRAWING

NB: FOR WIRING SEE DRAWING: WD-0368

234763
DRAWING: DRW-6192 ISS:A02
19/04/2011



Numatic International Spare Parts

Model No: NST-220 EXPLODED DRAWING

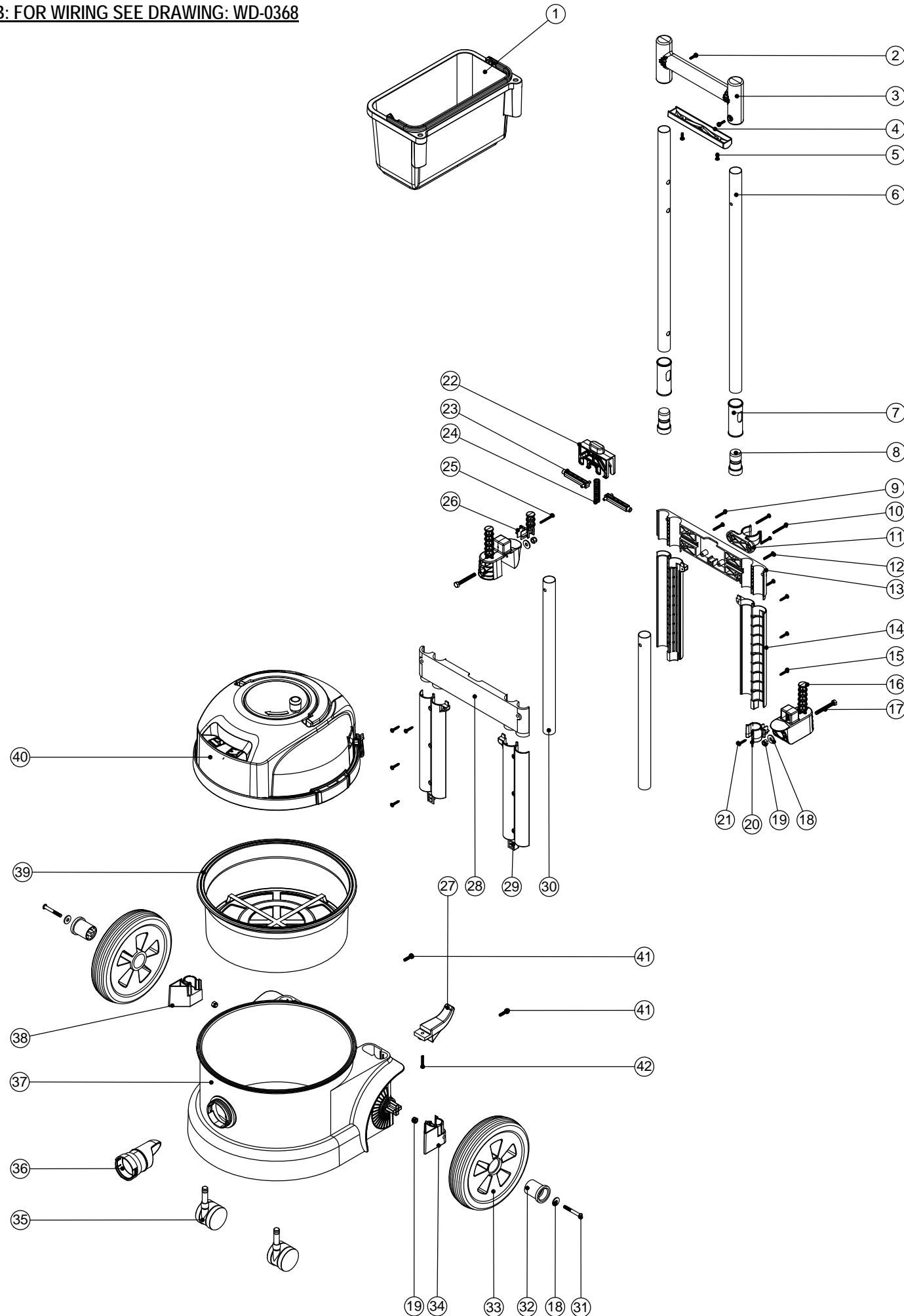
POS:	ITEM NO:	DESCRIPTION	COMMENTS
1	360002	5L GREEN SWING CADDY ASSY	
2	219472	M4 X 16MM LONG POZI PAN SEMS SCREW	
3	237157	HANDLE BODY (TROLLEY VAC)	
4	237158	HANDLE CAP (TROLLEY VAC)	
5	219101	No8 X 1/2 INCH LONG POZI PAN PLASTIITE SCREW	
6	391360	220 MOVING TUBE (TROLLEY VAC)	
7	237145	SLIDER SLEEVE (TROLLEY VAC)	
8	237147	SLIDER END STOP (TROLLEY VAC)	
9	291006	No6 X 1 INCH LONG POZI PAN PLASTITE SCREW JAPANED	
10	219622	M4.35MM LG.POZI-PAN.SCREW.Z/PL	
11	237154	WAND CLIP (TROLLEY VAC)	
12	219267	M4 X 20MM LONG POZI PAN SEMS SCREW	
13	237152	CROSS BAR REAR (TROLLEY VAC)	
14	237149	HANDLE UPRIGHT HOLES (TROLLEY VAC)	
15	291005	No6 X 5/8 INCH LONG POZI PAN PLASTITE SCREW JAPANED	
16	237156	BUCKET MOUNT (TROLLEY VAC)	
17	219315	M6 X 50MM LONG BOLT	
18	219008	M6 FORM G WASHER	
19	219088	M6 NYLON INSERT NUT	
20	237155	BUCKET CLIP (TROLLEY VAC)	
21	219107	No6 X 5/8 INCH LONG POZI PAN PLASTITE SCREW	
22	237148	PLUNGER BUTTON (TROLLEY VAC)	
23	237146	PLUNGER PIN (TROLLEY VAC)	
24	291009	SPRING (TROLLEY VAC)	
25	219848	NO6 X 1 3/8 INCH LONG POZI PAN SCREW	
26	237166	SWING BUCKET CLIP IN PEG	
27	237121	TROLLEY VAC BALL HITCH	
28	325813	CROSS BAR FRONT + INSERTS (TROLLEY VAC)	
29	237150	HANDLE UPRIGHT FAKE SCREW (TROLLEY VAC)	
30	391361	220 FIXED TUBE (TROLLEY VAC)	
31	219881	M6 X 45MM SOCKET BUTTON HEAD SCREW	
32	237120	HUB CAP	
33	204104	8 INCH WHEEL	
34	237163	HUB SUPPORT RIGHT (TROLLEY VAC)	
35	204111	50MM TWIN WHEEL CASTOR WITH PU TYRE	
36	237119	FRONT FIT BAG CONNECTOR	
37	237179	220 DRUM - GREEN (TROLLEY VAC)	
38	237164	HUB SUPPORT LEFT (TROLLEY VAC)	
39	207109	12 INCH FILTER (DOUBLE BOTTOM) 160GRM SMS	
40	583201	NSR200A BLACK HEAD ASM DAF 800W V16 12.5M (NUMATIC AUTOSAVE FLOWER)	FOR EXPLODED HEAD SEE DRW-5228
	583196	NSR200A BLACK HEAD ASM DAF 800W V30 12.5M (NUMATIC AUTOSAVE FLOWER)	
	583220	NSR200A BLACK HEAD ASM DAF 800W V53 12.5M (NUMATIC AUTOSAVE FLOWER)	
	583251	NSR200A BLACK HEAD ASM DAF 800W V83 12.5M (NUMATIC AUTOSAVE FLOWER)	
	583254	NSR200A BLACK HEAD ASM DAF 800W V81 (NUMATIC AUTOSAVE FLOWER)	
41	219546	M5 X 20MM LONG POZI PAN SEMS SCREW	
42	219104	No8 X 1 INCH LONG POZI PAN PLASTITE SCREW	

Numatic International Spare Parts

Model No: NST-220 EXPLODED DRAWING

NB: FOR WIRING SEE DRAWING: WD-0368

234763
DRAWING: DRW-6192 ISS:A03
22/08/2011



Numatic International Spare Parts

Model No: NST-220 EXPLODED DRAWING

POS:	ITEM NO:	DESCRIPTION	COMMENTS
1	360002	5L GREEN SWING CADDY ASSY	
2	219472	M4 X 16MM LONG POZI PAN SEMS SCREW	
3	237157	HANDLE BODY (TROLLEY VAC)	
4	237158	HANDLE CAP (TROLLEY VAC)	
5	219101	No8 X 1/2 INCH LONG POZI PAN PLASTIITE SCREW	
6	391360	220 MOVING TUBE (TROLLEY VAC)	
7	237145	SLIDER SLEEVE (TROLLEY VAC)	
8	237147	SLIDER END STOP (TROLLEY VAC)	
9	291006	No6 X 1 INCH LONG POZI PAN PLASTITE SCREW JAPANED	
10	219622	M4.35MM LG.POZI-PAN.SCREW.Z/PL	
11	237154	WAND CLIP (TROLLEY VAC)	
12	219267	M4 X 20MM LONG POZI PAN SEMS SCREW	
13	237152	CROSS BAR REAR (TROLLEY VAC)	
14	237149	HANDLE UPRIGHT HOLES (TROLLEY VAC)	
15	291005	No6 X 5/8 INCH LONG POZI PAN PLASTITE SCREW JAPANED	
16	237156	BUCKET MOUNT (TROLLEY VAC)	
17	219315	M6 X 50MM LONG BOLT	
18	219008	M6 FORM G WASHER	
19	219088	M6 NYLON INSERT NUT	
20	237155	BUCKET CLIP (TROLLEY VAC)	
21	219107	No6 X 5/8 INCH LONG POZI PAN PLASTITE SCREW	
22	237148	PLUNGER BUTTON (TROLLEY VAC)	
23	237146	PLUNGER PIN (TROLLEY VAC)	
24	291009	SPRING (TROLLEY VAC)	
25	219848	NO6 X 1 3/8 INCH LONG POZI PAN SCREW	
26	237166	BUCKET CLIP IN PEG (TROLLEY VAC)	
27	237121	TROLLEY VAC BALL HITCH	
28	325813	CROSS BAR FRONT + INSERTS (TROLLEY VAC)	
29	237150	HANDLE UPRIGHT FAKE SCREW (TROLLEY VAC)	
30	391361	220 FIXED TUBE (TROLLEY VAC)	
31	219881	M6 X 45MM SOCKET BUTTON HEAD SCREW	
32	237120	HUB CAP	
33	204104	8 INCH WHEEL	
34	237163	HUB SUPPORT RIGHT (TROLLEY VAC)	
35	204111	50MM TWIN WHEEL CASTOR WITH PU TYRE	
36	237119	FRONT FIT BAG CONNECTOR	
37	237179	220 DRUM - GREEN (TROLLEY VAC)	
38	237164	HUB SUPPORT LEFT (TROLLEY VAC)	
39	207109	12 INCH FILTER (DOUBLE BOTTOM) 160GRM SMS	
40	583201	NSR200A BLACK HEAD ASM DAF 800W V16 12.5M (NUMATIC AUTOSAVE FLOWER)	FOR EXPLODED HEAD SEE DRW-5228
	583196	NSR200A BLACK HEAD ASM DAF 800W V30 12.5M (NUMATIC AUTOSAVE FLOWER)	
	583220	NSR200A BLACK HEAD ASM DAF 800W V53 12.5M (NUMATIC AUTOSAVE FLOWER)	
	583251	NSR200A BLACK HEAD ASM DAF 800W V83 12.5M (NUMATIC AUTOSAVE FLOWER)	
	583254	NSR200A BLACK HEAD ASM DAF 800W V81 (NUMATIC AUTOSAVE FLOWER)	
41	219546	M5 X 20MM LONG POZI PAN SEMS SCREW	
42	219104	No8 X 1 INCH LONG POZI PAN PLASTITE SCREW	