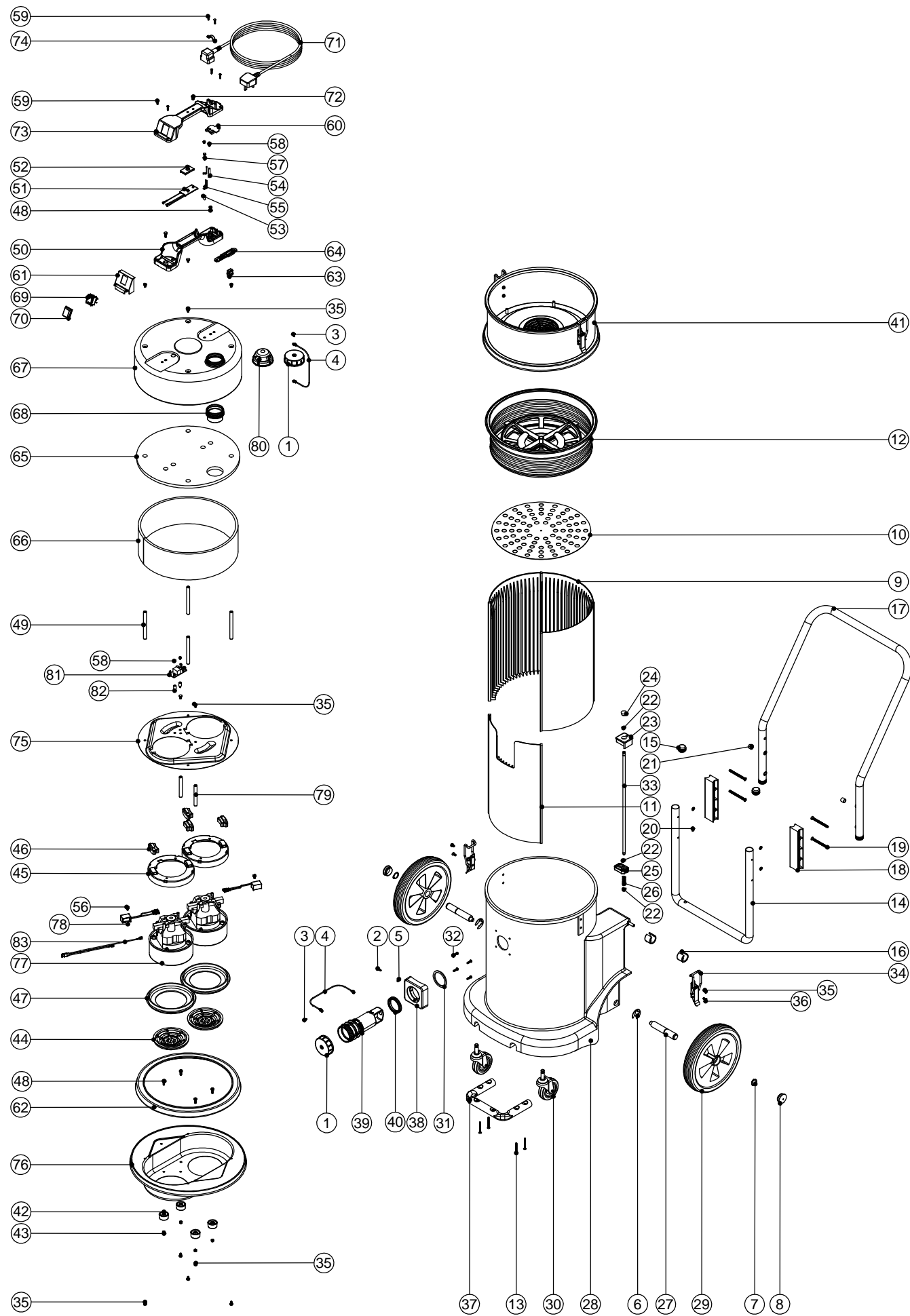


Numatic International Spare Parts

Model No: MDD 900 ASSEMBLY DRAWING

234868
DRAWING: DRW-11353 ISS:A01
22/12/2012

NB: FOR WIRING SEE DRAWING: WD-0229



Numatic International Spare Parts

Model No: MDD 900 ASSEMBLY DRAWING

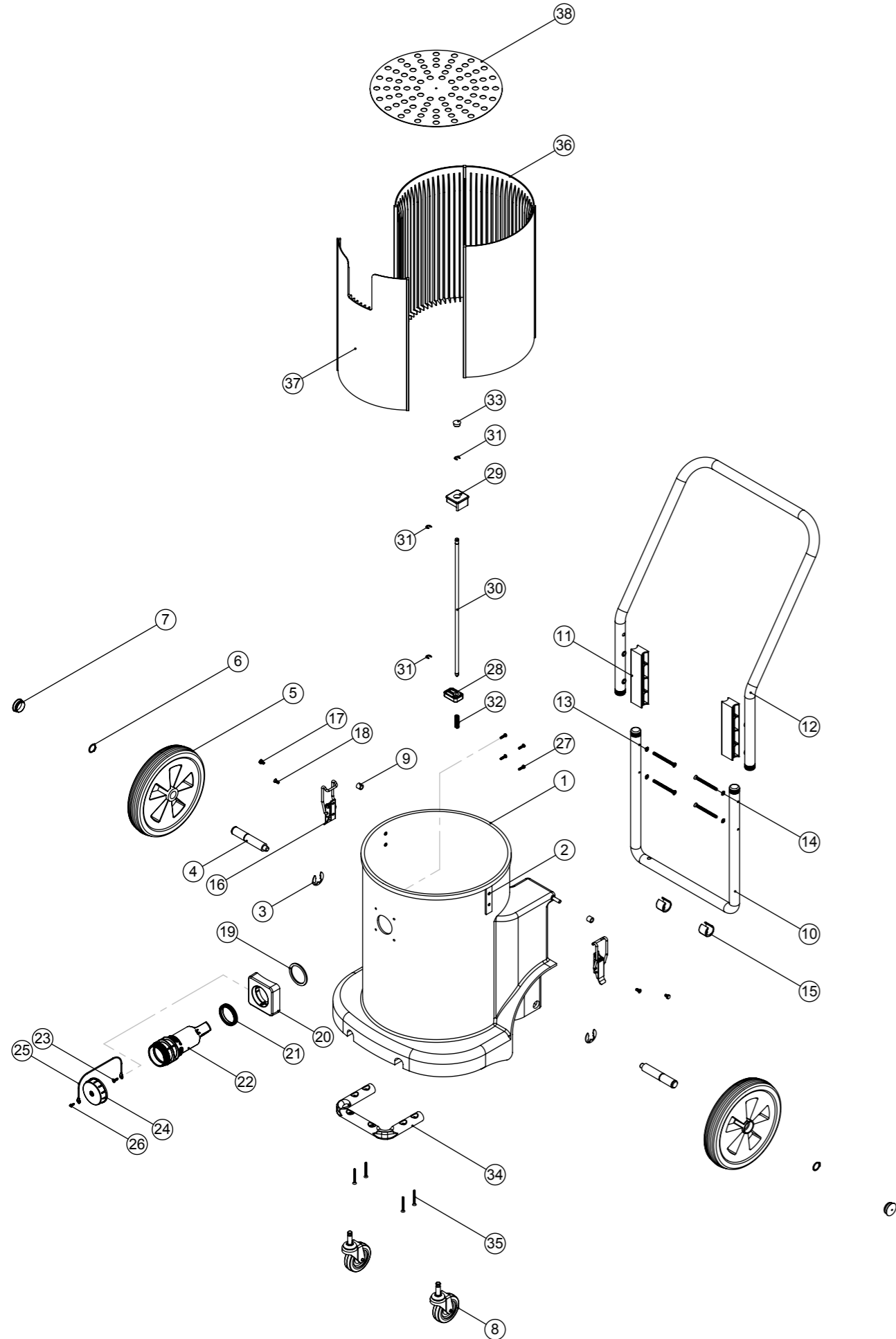
ITEM:	PART No:	DESCRIPTION	COMMENTS:
1	206363	BLANKING CAP	
2	219101	No8 X 1/2 INCH LONG POZI PAN PLASTITE SCREW	
3	219301	No6 X 3/8 INCH LONG POZI PAN SELF TAP SCREW	
4	303037	BLANKING CAP FIXING WIRE	
5	219003	M5 FORM A STEEL WASHER	
6	219306	E-CLIP	
7	219308	CIRCLIP	
8	206131	BLACK PLASTIC CAP	
9	229967	DRUM LINER (FOR ASSEMBLY VIEW)	
10	401447	DRUM BASE (PAINTED GREY)	
11	308000	DRUM LINER (FOR ASSEMBLY VIEW ONLY)	
12	502014	14 INCH COMBINATION MICROTTEX FILTER ASSEMBLY	
13	219316	No10 X 43MM LONG POZI PAN COUNTER SUNK PLASTITE SCREW	
14	418960	LOWER HANDLE (PAINT BLACK)	
15	20637V	25.4MM TUBE END STOP	
16	206295	PLASTIC SADDLE FOOT	
17	329169	HANDLE ASSEMBLY	
18	206128	HANDLE BLOCK SPACER	
19	219422	M6 X 70MM LONG POZI PAN COUNTERSUNK SCREW	
20	219423	M6 COUNTERSUNK LOCK WASHER	
21	21985V	SPACER	
22	219307	E CLIP	
23	206126	LOCKING BAR KNOB	
24	206132	BLACK PLASTIC CAP	
25	206127	LOCKING BAR SUPPORT	
26	219312	COMPRESSION SPRING	
27	206137	STUB AXLE	
28	300258	HZ/HZD 900 GREY DRUM DRILLED	
29	204028	10 INCH WHEEL	
30	204060	3 INCH CASTOR	
31	202027	HOSE FLANGE GASKET	
32	219105	No8 X 5/8 INCH LONG POZI PAN PLASTITE SCREW	
33	206133	LOCKING BAR	
34	206135	TOGGLE FASTENER	
35	219047	M5 X 10MM LONG POZI PAN SEMS SCREW	
36	219330	M5 X 12MM LONG POZI PAN COUNTERSUNK SCREW	
37	418961	TOOL MOUNTING BAR (PAINT BLACK)	
38	305038	NDD BAYONET BAG CONNECTOR FRONT (DRILLED) HZ TYPE	
39	237342	BAG CONNECTOR TUBE	
40	202102	BAYONET SEAL	
41	604158	MDD DUPLEX MICRO GREY INTERCEPTOR ASSEMBLY (BLACK TOGGLES)	
42	206033	PLASTIC FOOT	
43	219076	M5 NYLON INSERT NUT	
44	227887	FAN GUARD	
45	227886	MOTOR SPACER	
46	229549	MOTOR MOUNTING RUBBER	
47	202005	MOTOR BOTTOM GASKET	
48	219045	M5 X 16MM LONG POZI PAN SEMS SCREW	
49	208002	115MM LONG ALUMINIUM SPACER	
50	320686	HANDLE BASE MOULDING + INSERTS	
51	220677	230V LOW FLOW INDICATOR DEVICE	
	220678	115V LOW FLOW INDICATOR DEVICE	
52	202086	LOW FLOW PCB MOUNTING GASKET	
53	220078	BRASS EARTHING SPACER	
54	206562	CONTACT PIN	
55	206563	EARTH CONTACT PIN	
56	219858	M5 X 8MM HEX WASHER FACED TAPFIX (DIN7500D)	
57	219274	M4 X 20MM LONG POZI PAN SCREW	
58	219090	M4 X 8MM LONG POZI PAN SEMS SCREW	
59	219107	No6 X 5/8 INCH LONG POZI PAN PLASTITE SCREW	
60	227631	TERMINAL COVER & CLAMP (3 PIN)	
	220131	CABLE CLAMP	
61	227635	SWITCH MOUNTING BRACKET (1 SWITCH)	UK, EURO UK-INDUSTRIAL
62	202002	BUFFER GASKET	
63	227637	CABLE CLIP	
64	227636	STRAIN RELIEF	
65	303027	TOP FELT PUNCHED	
66	203003	SIDE FELT	
67	401745	BLACK HEAD TOP	
68	206005	AIR OUTLET NECK	
69	220552	RED ROCKER SWITCH	
70	206573	SWITCH COVER (PLUG HANDLE)	
71	236011	10.0M X 1.50MM X 3 CORE NUCABLE (UK PLUG)	
	236015	10.0M X 1.50MM X 3 CORE NUCABLE (EURO PLUG)	
	220911	12.5MT X 3CORE X 2.5MM CABLE PLUS 32AMP INDUSTRIAL PLUG	
72	220381	AMBER LENS	
73	321522	HANDLE COVER DRILLED FOR HZ (16 AMP) 3 CORE	UK, EURO
	320827	HANDLE COVER (DRILLED/HARD WIRED)	UK-INDUSTRIAL
74	216290	CABLE CLAMP	UK, EURO
	220015	STRESS RELIEF	UK-INDUSTRIAL
75	401369	BLACK DUPLEX TOP MOTOR HOUSING	
76	401371	BLACK DUPLEX BOTTOM MOTOR HOUSING	
77	205407	230V 2 STAGE THRO FLOW TAPER FAN MOTOR (DL21104)(MARKED 230V)	
	205405	120V 2 STAGE THRO FLOW TAPER FAN MOTOR (DL21101)	
78	220682	SUPPRESSOR ASSY WITH 2.48 TERMINALS	
79	208001	80MM ALUMINIUM SPACER	
80	604151	AIR DIFFUSER FOR BLOWER TYPES	
81	220555	230V DELAY START MODULE	
	220556	115V DELAY START MODULE	
82	219414	NYLON PILLAR	
83	230075	DUPLEX LAMB MOTOR BIMETALLIC OVERLOAD ASSY	

Numatic International Spare Parts

Model No: MDS/MDD 900 DRUM ASSEMBLY

Models: MDS, MDD

Internal Code: 525042
 DRAWING: DRW-20228 ISS:A02
 PRO 10/08/2015



Numatic International Spare Parts

Model No: MDS/MDD 900 DRUM ASSEMBLY

POS.	ITEM NO.	DESCRIPTION	QTY.	COMMENTS
1	300258	HZ/HZD 900 GREY DRUM DRILLED	1	
2	219109	M5 BRASS INSERT	4	
3	219306	E-CLIP	2	
4	206137	STUB AXLE	2	
5	204028	10 INCH WHEEL	2	
6	219308	CIRCLIP	2	
7	206131	BLACK PLASTIC CAP	2	
8	204060	3 INCH CASTOR	2	
9	21985V	SPACER	2	
10	303908	LOWER HANDLE ASSEMBLY 900 SERIES (MILD STEEL PAINTED BLACK)	1	
11	206128	HANDLE BLOCK SPACER	2	
12	329169	HANDLE ASSEMBLY	1	
13	219423	M6 COUNTERSUNK LOCK WASHER	4	
14	219422	M6 X 70MM LONG POZI PAN COUNTERSUNK SCREW	4	
15	206295	PLASTIC SADDLE FOOT	2	
16	206135	TOGGLE FASTENER	2	
17	219047	M5 X 10MM LONG POZI PAN SEMS SCREW	2	
18	219330	M5 X 12MM LONG POZI PAN COUNTERSUNK SCREW	2	
19	202027	HOSE FLANGE GASKET	1	
20	305038	NDD BAYONET BAG CONNECTOR FRONT (DRILLED) HZ TYPE	1	
21	202102	BAYONET SEAL	1	
22	237342	BAG CONNECTOR TUBE	1	
23	219101	No8 X 1/2 INCH LONG POZI PAN PLASTITE SCREW	1	
24	206363	BLANKING CAP	1	
25	303037	BLANKING CAP FIXING WIRE	1	
26	219301	No6 X 3/8 INCH LONG POZI PAN SELF TAP SCREW	1	
27	219105	No8 X 5/8 INCH LONG POZI PAN PLASTITE SCREW	4	
28	206127	LOCKING BAR SUPPORT	1	
29	206126	LOCKING BAR KNOB	1	
30	206133	LOCKING BAR	1	
31	219307	E CLIP	3	
32	219312	COMPRESSION SPRING	1	
33	206132	BLACK PLASTIC CAP	1	
34	418961	TOOL MOUNTING BAR (PAINT BLACK)	1	
35	219316	No10 X 43MM LONG POZI PAN COUNTER SUNK PLASTITE SCREW	4	
36	229967	900 DRUM LINER (FINE DUST VACUUM CLEANER)	1	
37	308000	900 DRUM LINER PUNCHED FOR BAG CONNECTOR (FINE DUST VACUUM CLEANER)	1	
38	401447	DRUM BASE (PAINTED GREY)	1	