

# Numatic International Spare Parts Model No:

NLL332 NLL415 HLL332 HLL415 HANDLE EXPLODED DRAWING

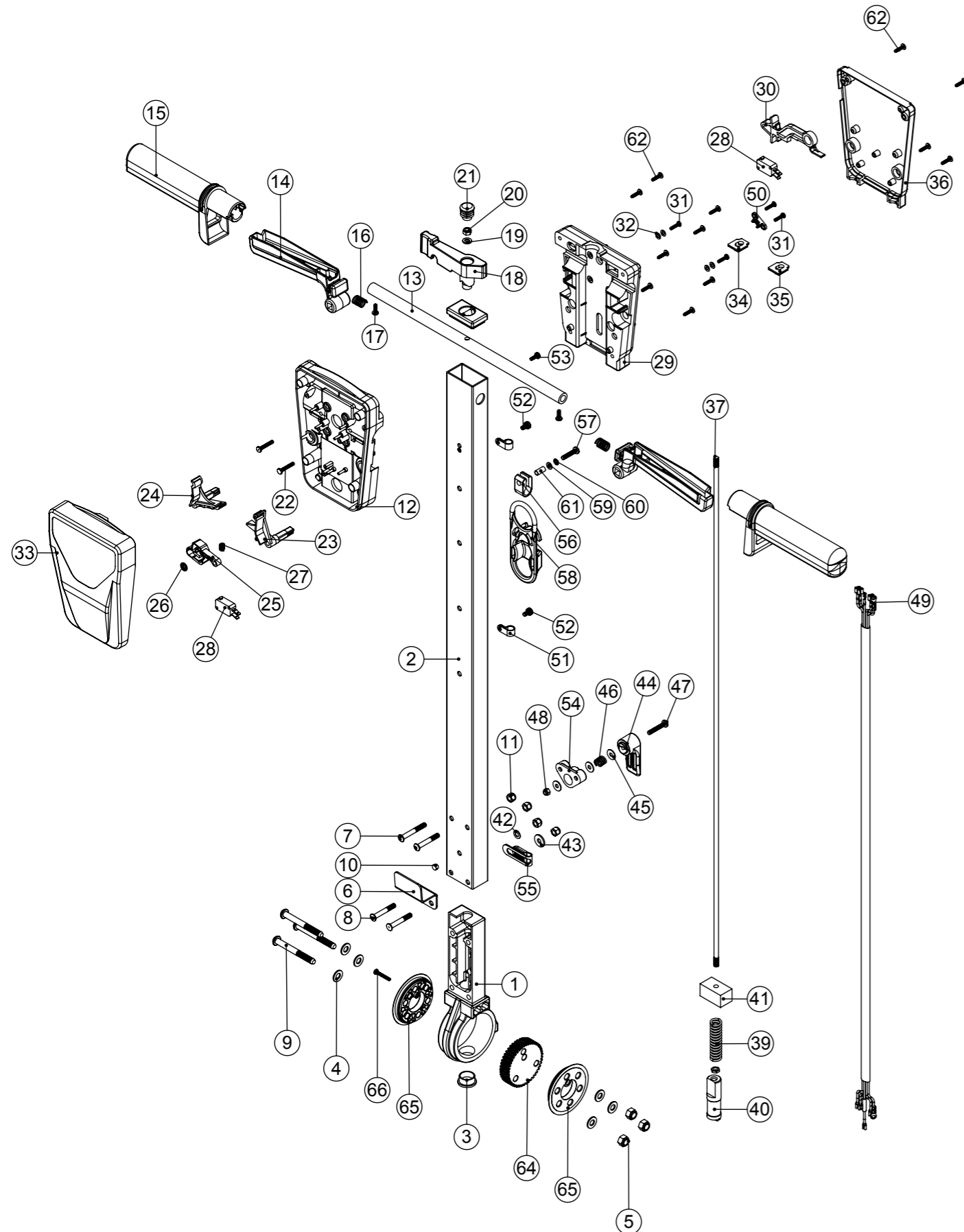
Internal Code:

234456

TBF

DRAWING: EXP-0886 ISS:A17  
29/09/2017

NB: FOR WIRING SEE DRAWING: WD-0341



# Numatic International Spare Parts

Model No: NLL332 NLL415 HLL332 HLL415 HANDLE EXPLODED DRAWING

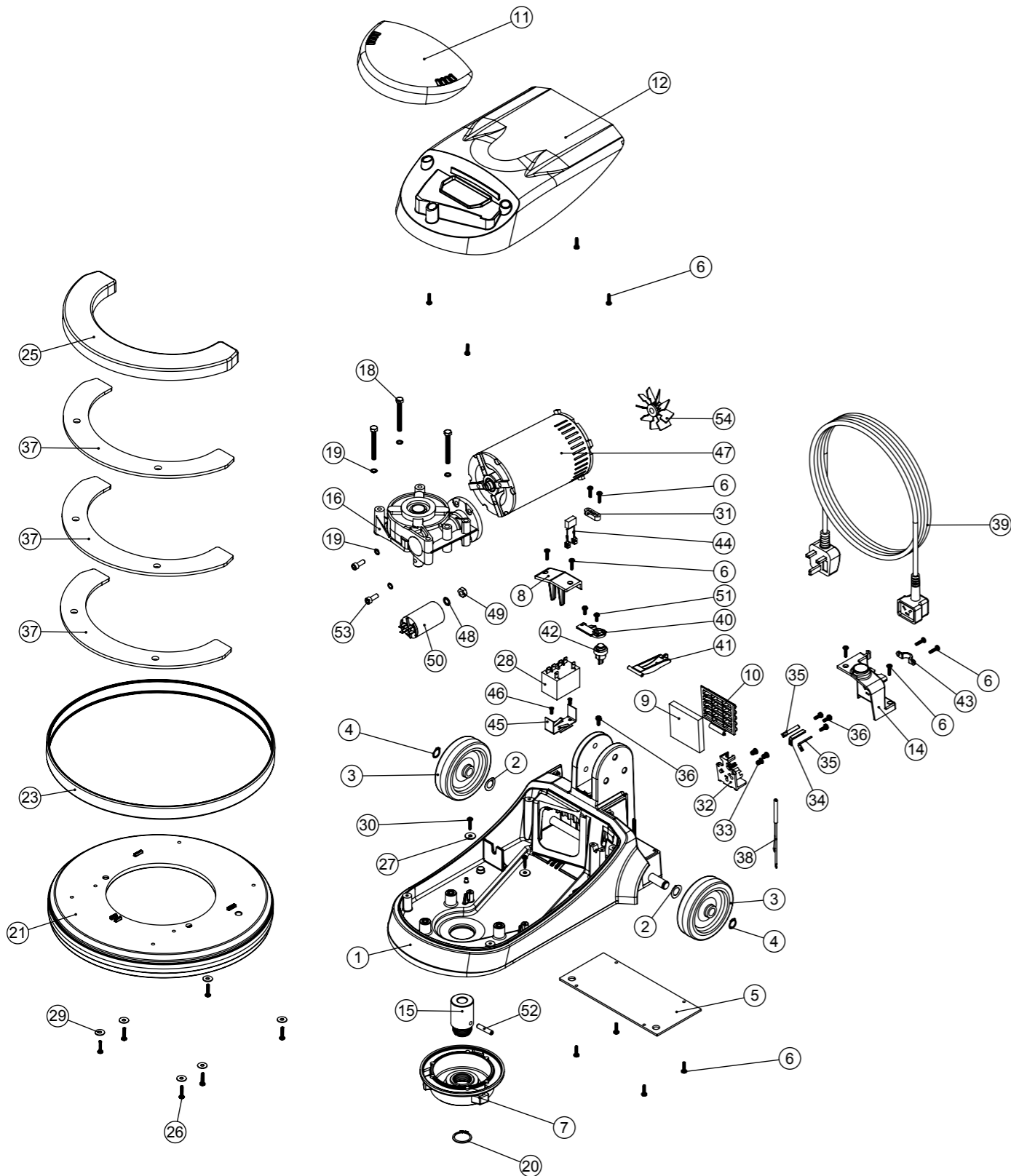
| ITEM: | PART No: | DESCRIPTION  | COMMENTS:        | QTY. |
|-------|----------|--|------------------|------|
| 1     | 900398   | HANDLE CASTING MACHINED (HNS VERSION)              |                  | 1    |
| 2     | 329486   | LOLINE HANDLE TUBE PAINTED (830)                   |                  | 1    |
| 3     | 229099   | 25MM DIA HOLE PLUG                                 |                  | 1    |
| 4     | 219010   | M8 FORM A WASHER                                   |                  | 6    |
| 5     | 219078   | NUT.M8.NYLON INSERT.Z/PL                           |                  | 3    |
| 6     | 329000   | HANDLE BRACKET                                     |                  | 1    |
| 7     | 219881   | M6 X 45MM SOCKET BUTTON HEAD SCREW                 |                  | 1    |
| 8     | 219807   | M6 X 40MM LONG SOCKET BUTTON HEAD BOLT             |                  | 3    |
| 9     | 219806   | M8 X 70MM LONG SOCKET BUTTON HEAD BOLT             |                  | 3    |
| 10    | 229009   | BLANKING PLUG                                      |                  | 1    |
| 11    | 219088   | M6 NYLON INSERT NUT                                |                  | 4    |
| 12    | 227576   | FRONT INNER HALF MOULDING                          | (HLL USE 237542) | 1    |
| 13    | 338269   | CROSS TUBE   |                  | 1    |
| 14    | 227581   | TRIGGER MOULDING (GREY)                            | (HLL USE 903547) | 2    |
| 15    | 227580   | HAND GRIP MOULDING                                 | (HLL USE 237544) | 2    |
| 16    | 219803   | TRIGGER COMPRESSION SPRING                         |                  | 2    |
| 17    | 219270   | No8 X 1/2 INCH LONG POZI PAN SELF TAP SCREW        |                  | 2    |
| 18    | 227583   | ADJUSTMENT LEVER MOULDING                          | (HLL USE 903545) | 1    |
| 19    | 219493   | M6 NYLON WASHER                                    |                  | 1    |
| 20    | 219642   | M6 STAINLESS STEEL NYLON INSERT NUT                |                  | 1    |
| 21    | 20638V   | 19MM BLACK TUBE END STOP                           |                  | 1    |
| 22    | 219811   | NO8 X 1 INCH LONG POZI-PAN SELF TAP SCREW          |                  | 2    |
| 23    | 227585   | LEFT HAND SWITCH OPERATING LEVER MOULDING          |                  | 1    |
| 24    | 227586   | RIGHT HAND SWITCH OPERATING LEVER MOULDING         |                  | 1    |
| 25    | 227587   | CENTRE SWITCH OPERATING LEVER MOULDING             |                  | 1    |
| 26    | 219805   | 4MM SPIREX   |                  | 1    |
| 27    | 219804   | SWITCH COMPRESSION SPRING                          |                  | 1    |
| 28    | 229483   | SNAP ACTION SWITCH                                 |                  | 2    |
| 29    | 227577   | REAR INNER HALF MOULDING                           | (HLL USE 237543) | 1    |
| 30    | 227584   | INTERLOCK LEVER MOULDING                           |                  | 1    |
| 31    | 219107   | NO6.5/8 INCH LG.POZI-PAN.SCREW.Z/PL.PLASTITE       |                  | 4    |
| 32    | 219206   | M4 FORM A WASHER                                   |                  | 4    |
| 33    | 318959   | PRINTED FRONT COVER MOULDING                       | (HLL USE 905662) | 1    |
| 34    | 329539   | MODIFIED BLANKING PLATE                            |                  | 1    |
| 35    | 227666   | BLANKING PLUG                                      |                  | 1    |
| 36    | 318968   | PRINTED REAR COVER MOULDING                        | (HLL USE 905664) | 1    |
| 37    | 229484   | 840MM HANDLE LOCKING ROD                           |                  | 1    |
| 38    | 219099   | M6 HALF NUT  |                  | 1    |
| 39    | 229138   | SPRING   |                  | 1    |
| 40    | 229073   | GEAR LOCKING PIN                                   |                  | 1    |
| 41    | 229030   | ANTI VIBRATION PAD                                 |                  | 1    |
| 42    | 219007   | M6 FORM B WASHER                                   |                  | 1    |
| 43    | 219008   | M6 FORM G WASHER                                   |                  | 1    |
| 44    | 227807   | CABLE RELEASE TOP MOULDING                         | (HLL USE 903883) | 1    |
| 45    | 219644   | M5 FORM G STAINLESS STEEL WASHER                   |                  | 3    |
| 46    | 206599   | SPRING (REF:C5514370)                              |                  | 1    |
| 47    | 219720   | M5 X 30MM LONG STAINLESS STEEL POZI PAN SCREW      |                  | 1    |
| 48    | 219076   | M5 NYLON INSERT NUT                                |                  | 1    |
| 49    | 230132   | NLL 5 CORE LOOM ASSEMBLY 230V                      |                  | 1    |
| 50    | 229669   | LOLINE HANDLE CABLE CLAMP                          | (HLL USE 903888) | 1    |
| 51    | 219393   | P CLIP   |                  | 2    |
| 52    | 219047   | M5 X 10MM LONG POZI PAN SEMS SCREW                 |                  | 2    |
| 53    | 219471   | M4 X 12MM LONG POZI PAN SEMS SCREW                 |                  | 1    |
| 54    | 227806   | CABLE RELEASE BASE MOULDING                        | (HLL USE 903882) | 1    |
| 55    | 229139   | P-CLIP   |                  | 1    |
| 56    | 219743   | CABLE CLEAT  |                  | 1    |
| 57    | 219575   | M5 X 25MM LONG POZI PAN STAINLESS STEEL SCREW      |                  | 1    |
| 58    | 902312   | CABLE STRESS RELIEF                                |                  | 1    |
| 59    | 219355   | M5 FORM A STAINLESS STEEL WASHER                   |                  | 1    |
| 60    | 291084   | WASHER.M5.SHAKEPROOF.STAINLESS STEEL               |                  | 1    |
| 61    | 903192   | SPIROL SPACER SP100 5MM NOM ID x 14MM              |                  | 1    |
| 62    | 219370   | No8 X 5/8 INCH LONG PLASTITE STAINLESS STEEL SCREW |                  | 12   |
| 63    | 227582   | HANDLE PLUG MOULDING                               |                  | 1    |
| 64    | 900397   | MINI ADJUSTMENT GEAR                               |                  | 1    |
| 65    | 900396   | ADJUSTMENT GEAR SPACER                             |                  | 2    |
| 66    | 291150   | NO6 X 1 INCH LONG POZI PAN SCREW S/S               |                  | 1    |

# Numatic International Spare Parts

**Model No:** NLL332 NLL415 HLL332 HLL 415 BASE EXPLODED DRAWING

Internal Code: 234454  
 DRAWING: EXP-0885 ISS:A23  
 TBF 13/07/2017

NB: FOR WIRING SEE DRAWING: WD-0341



# Numatic International Spare Parts

**Model No:** NLL332 NLL415 HLL332 HLL 415 BASE EXPLODED DRAWING

| Item | Part No.      | DESCRIPTION   | COMMENTS     | QTY.                |
|------|---------------|---|--------------|---------------------|
| 1    | 304264        | NLL BASE ASSEMBLY (LESS MOTOR SUPPORTS)                             | (HLL 905651) | 1                   |
| 2    | 219891        | 13MM WAVEY WASHER   |              | 2                   |
| 3    | 329112        | 100MM WHEEL   |              | 2                   |
| 4    | 219151        | 13MM EXTERNAL CIRCLIP   |              | 2                   |
| 5    | 304236        | BASE PLATE  |              | 1                   |
| 6    | 219914        | NO6 X 5/8 INCH LONG POZI-PAN PLASTITE STAINLESS STEEL SCREW         |              | 16                  |
| 7    | 230207        | DIE CAST CHUCK MACHINED   |              | 1                   |
| 8    | 229667,905652 | LOLINE FILTER COVER TOP   | (HLL 905652) | 1                   |
| 9    | 329522        | FILTER  |              | 1                   |
| 10   | 229668,905653 | LOLINE FILTER COVER   | (HLL 905653) | 1                   |
| 11   | 229663        | LOLINE CAP MOULDING (GREY)  | (HLL 905654) | 1                   |
| 12   | 328113        | NLL332 LID MOULDING PRINTED GREY                                    | (HLL 907597) | 1                   |
|      | 328114        | NLL415 LID MOULDING PRINTED GREY                                    | (HLL 905656) |                     |
| 14   | 206866        | 10A INPUT COVER C/W WINDOW PLUG (GRAPHITE VERSION)                  | (HLL 905659) | 1                   |
| 15   | 314000        | LOLINE DRIVE SHAFT MOD  |              | 1                   |
| 16   | 206737        | EMD GEARBOX (GB12) (14:1 RATIO)                                     |              | 1 ( FOR 332 MODEL ) |
|      | 206754        | 18.67:1 GERABOX (GB12)  |              | 1 ( FOR 415 MODEL ) |
| 18   | 219224        | M6 X 55MM LONG HEX HEAD BOLT  |              | 3                   |
| 19   | 219544        | M6 SHAKEPROOF WASHER  |              | 5                   |
| 20   | 230048        | 26MM EXTERNAL CIRCLIP   |              | 1                   |
| 21   | 229664        | LOLINE DECK MOULDING GRAPHITE (330MM)                               | (HLL 907591) | 1 ( FOR 332 MODEL ) |
|      | 229718        | LOLINE 415 DECK MOULDING  | (HLL 905657) | 1 ( FOR 415 MODEL ) |
| 23   | 214111        | LOLINE BUFFER RING (GRAPHITE)                                       | (HLL 907590) | 1 ( FOR 332 MODEL ) |
|      | 214112        | BUFFER RING (415)   | (HLL 905660) | 1 ( FOR 415 MODEL ) |
| 25   | 229680        | LOLINE WEIGHT COVER GREY  | (HLL 905658) | 1                   |
| 26   | 219568        | NO8.3/4 INCH LG.POZI-PAN.SCREW.STAINLESS STEEL.PLASTITE             |              | 6                   |
| 27   | 219497        | M5 NYLON WASHER   |              | 2                   |
| 28   | 206575        | 240V / 25A RELAY  |              | 1                   |
| 29   | 219644        | M5 FORM G STAINLESS STEEL WASHER                                    |              | 6                   |
| 30   | 221152        | NO6 X 12MM LONG POZI PAN SELF TAP SCREW                             |              | 2                   |
| 31   | 227008        | BLACK CABLE CLAMP   |              | 1                   |
| 32   | 216288        | TERMINAL BLOCK  |              | 1                   |
| 33   | 219009        | M4 BRASS TAPPEX INSERT  |              | 3                   |
| 34   | 206563        | EARTH CONTACT PIN   |              | 1                   |
| 35   | 206562        | CONTACT PIN   |              | 2                   |
| 36   | 219471        | M4 X 12MM LONG POZI PAN SEMS SCREW                                  |              | 4                   |
| 37   | 429098        | DECK WEIGHT (PAINTED SILVER GREY)                                   |              | 3                   |
| 38   | 321193        | AC LED WITH TERMINALS   |              | 1                   |
| 39   | 236071        | MAINS CABLE (15.0 METRES / 1MM / 3 CORE CABLE / SOCKET + UK PLUG)   |              | 1                   |
| 40   | 216293        | LEVER PLATE   |              | 1                   |
| 41   | 216292        | CUT OUT LEVER   |              | 1                   |
| 42   | 229454        | HANDLE SWITCH   |              | 1                   |
| 43   | 229729        | 10AMP PLUG CLAMP  | (HLL 905887) | 1                   |
| 44   | 230136        | SUPPRESSOR ASSEMBLY   |              | 1                   |
| 45   | 206500        | RELAY BRACKET   |              | 1                   |
| 46   | 219651        | M4 X 10MM LONG POZI PAN THREAD CUTTING SCREW                        |              | 2                   |
| 47   | 205166        | PSC INDUCTION MOTOR & RUN CAP (220-240V) (50HZ) (NL332/415)         |              | 1                   |
| 48   | 219018        | M8 SHAKEPROOF WASHER  |              | 1                   |
| 49   | 219079        | M8 PLAIN NUT  |              | 1                   |
| 50   | 208285        | 10mfd CAPACITOR DOUBLE TERMINALS M8 STUD SIZE 36x58 (4.16.10.15.64) |              | 1                   |
| 51   | 219677        | NO4 X 10MM LONG POZI PAN PLASTITE SCREW                             |              | 2                   |
| 52   | 291079        | 6MM X 30MM STAINLESS STEEL ROLL PIN                                 |              | 1                   |
| 53   | 219887        | M6 X 16MM STAINLESS STEEL CAP HEAD SCREW                            |              | 2                   |
| 54   | 330017        | FAN AND BORE ASSEMBLY   |              | 1                   |