

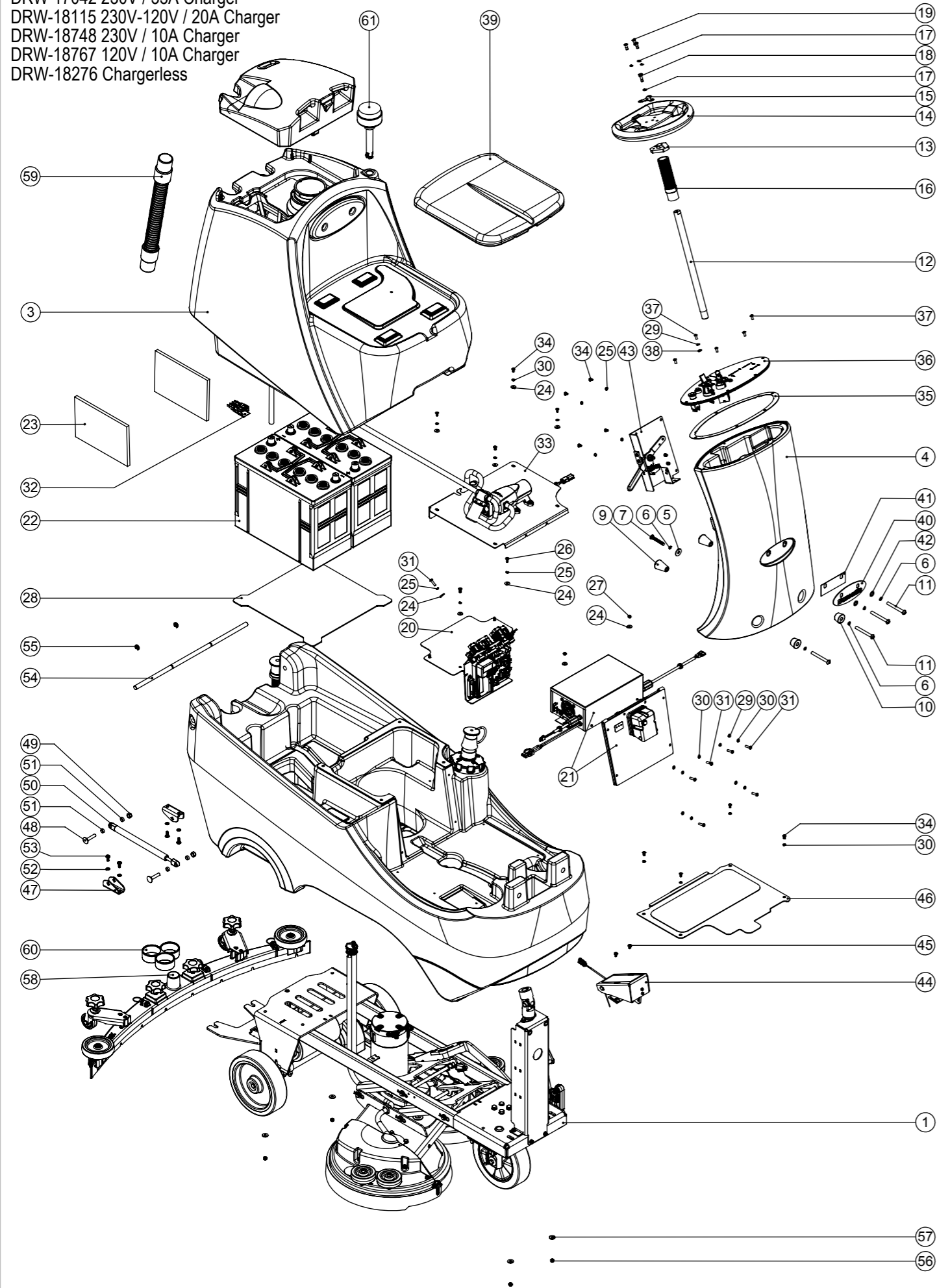
Numatic International Spare Parts

Model No: CRO 8072 EXPLODED DIAGRAM

Internal Code: 903578
 DRAWING: DRW-23970 ISS:A01
 PRO 22/12/2016

NB: FOR WIRING SEE DRAWING:

- DRW-17042 230V / 35A Charger
- DRW-18115 230V-120V / 20A Charger
- DRW-18748 230V / 10A Charger
- DRW-18767 120V / 10A Charger
- DRW-18276 Chargerless



Numatic International Spare Parts

Model No: CRO 8072 EXPLODED DIAGRAM

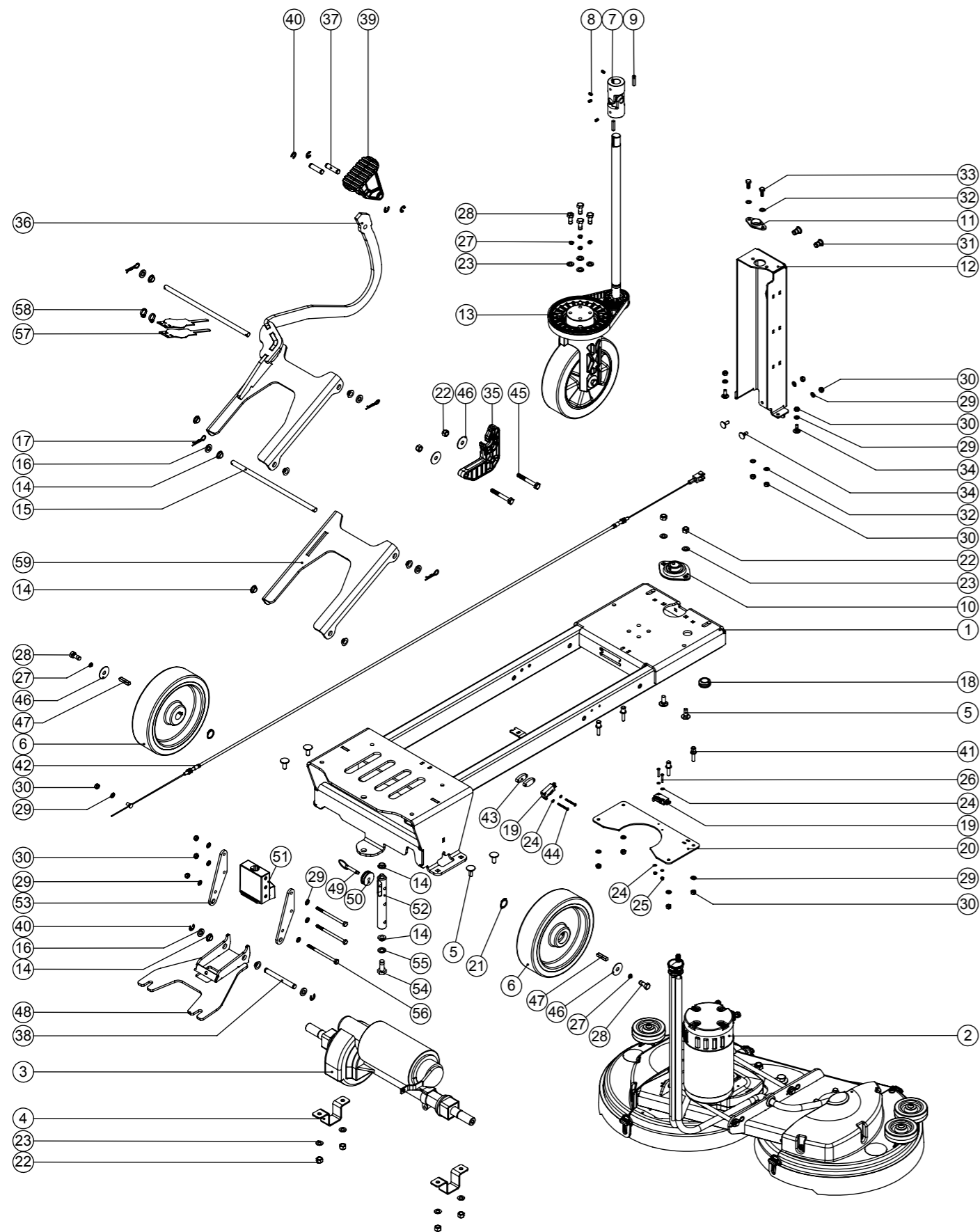
ITEM:	PART No:	DESCRIPTION	COMMENTS:	QTY.
1	903579	CRO8072 CHASSIS GENERAL ASSEMBLY	SEE DRW-23947	1
2	904099	CRO 8055G 8072 BOTTOM TANK ASSY	SEE DRW-17607	1
3	903724	CRO 8055G & 8072 TOP TANK ASSY	SEE DRW-15376	1
4	903721	MINI RIDE ON STEERING COLUMN GRAPHITE		1
5	219716	M8 FORM G STAINLESS STEEL WASHER		1
6	219898	M8 SINGLE COIL STAINLESS STEEL WASHER		5
7	219922	M8 X 50MM LONG SOCKET BUTTON HEAD STAINLESS STEEL BOLT		1
8	903726	CRO SEPARATOR ASSY GRAPHITE	SEE DRW-17590	1
9	208903	TAPERED BUSH (TAPPED)		2
10	208904	TAPERED BUSH (CLEARANCE)		2
11	291142	M8 X 70MM LG SOCKET BUTTON HEAD SCREW STAINLESS STEEL		4
12	208901	UPPER STEERING SHAFT		1
13	404214	STEERING WHEEL PLATE		1
14	208900	GSL 255MM STEERING WHEEL		1
15	392500	STEERING WHEEL TOP PLATE		1
16	380000	STEERING SHAFT COVER HOSE 135mm LONG	208466 CUT TO LENGTH	1
17	219718	WASHER.M6.SPRING.STAINLESS STEEL		4
18	291144	M6 X 20MM LG HEX HEAD SCREW STAINLESS STEEL C/W THREADLOCK		1
19	291143	M6 X 16MM LG SOCKET BUTTON HEAD SCREW STAINLESS STEEL C/W THREADLOCK		3
20	N/A	CRO CHARGER PLATE AND PCB ASSEMBLY	SEE DRW-17539	1
21	N/A	CRO AC SUPPLY PLATE AND CHARGER ASSY	SEE DRW-17570	1
22	230262	SONNENSCHNEIN 120AH BATTERY	CRO8072/120T	2
	205112	100AMP/HOUR REPLACEMENT BATTERY	CRO8072/100T	
23	208645	FOAM BATTERY SPACER		2
24	219644	M5 FORM G STAINLESS STEEL WASHER		9
25	219861	M5 SINGLE COIL STAINLESS STEEL WASHER		7
26	219740	M5 X 12MM LONG STAINLESS STEEL POZI PAN SCREW		2
27	219633	M5 STAINLESS STEEL NYLON INSERT NUT		2
28	392501	BATTERY PLATE		1
29	219355	M5 FORM A STAINLESS STEEL WASHER		5
30	291084	WASHER.M5.SHAKEPROOF.STAINLESS STEEL		14
31	291168	M5 X 20MM LONG SOCKET BUTTON HEAD STAINLESS STEEL SCREW		7
32	230102	FUSE HOLDER RATED AT 60 AMPS		1
33	N/A	CRO 8072 PUMP AND FILTER SUB ASSY	SEE DRW-17506	1
34	291004	M5 X 10MM LONG STAINLESS STEEL BUTTON HEAD SCREW		12
35	203040	CRO CONTROL PANEL GASKET (LOWER)		1
36	904095	CRO DASH ASSY RED TRIM	SEE DRW-17585	1
37	291160	M5 X 12MM LONG STAINLESS STEEL BUTTON HEAD SCREW		5
38	219462	RUBBER WASHER		1
39	208862	SEAT MOULDING		1
40	392433	NUMATIC NAME PLATE		1
41	904177	CRO NAME BADGE BACKING PLATE		1
42	219578	M8 FORM A STAINLESS STEEL WASHER		2
43	903987	FLOOR TOOL LIFTING PLATE ASSEMBLY (RED TRIM)	SEE DRW-16175	1
44	903857	ACCELERATOR PEDAL ASSY (RED TRIM) (EDAC CONNECTOR)	SEE DRW-18638	1
45	291135	M5 X 10MM LONG STAINLESS STEEL POZI PAN SEMS SCREW		2
46	-	FOOTPLATE TREAD PAD POSITION & SEAL POSITION	SEE DRW-17134	1
47	392455	GAS STRUT BRACKET - CARRIAGE BOLT		2
48	291120	M8 X 40 CARRIAGE BOLT S/S		2
49	219639	M8 STAINLESS STEEL NYLON INSERT NUT		2
50	208907	GAS STRUT C/W END FITTINGS 100NM		1
51	291121	NYLON SPACER I/D 8.2MM X O/D 12MM X 5MM LG		4
52	219870	M6 FORM A WASHER STAINLESS STEEL		4
53	219646	M6 X 16MM LONG POZI PAN STAINLESS STEEL SCREW		4
54	208902	MINI RIDE ON PIVOT BAR		1
55	208072	PLASTIC FIXING RING		2
56	219642	M6 STAINLESS STEEL NYLON INSERT NUT		4
57	219647	M6 FORM G STAINLESS STEEL WASHER		4
58	903853	750 TWINTEC ALUMINIUM FLOOR TOOL (38MM HOSE,RED TRIM, SERILOR BLADES)		1
59	213061	SUCTION HOSE 1330MM X Ø38MM		1
60	237718	HOSE GUIDE		1
61	N/A	BEACON MOUNT ASSY	SEE DRW-17381	1

Numatic International Spare Parts

Model No: CRO8072 CHASSIS GENERAL ASSEMBLY EXP

NB: FOR WIRING SEE DRAWING: WD-0???

Internal Code: 903579
 PRO DRAWING: DRW-23947 ISS:A01
 22/12/2016



Numatic International Spare Parts

Model No: CRO8072 CHASSIS GENERAL ASSEMBLY EXP

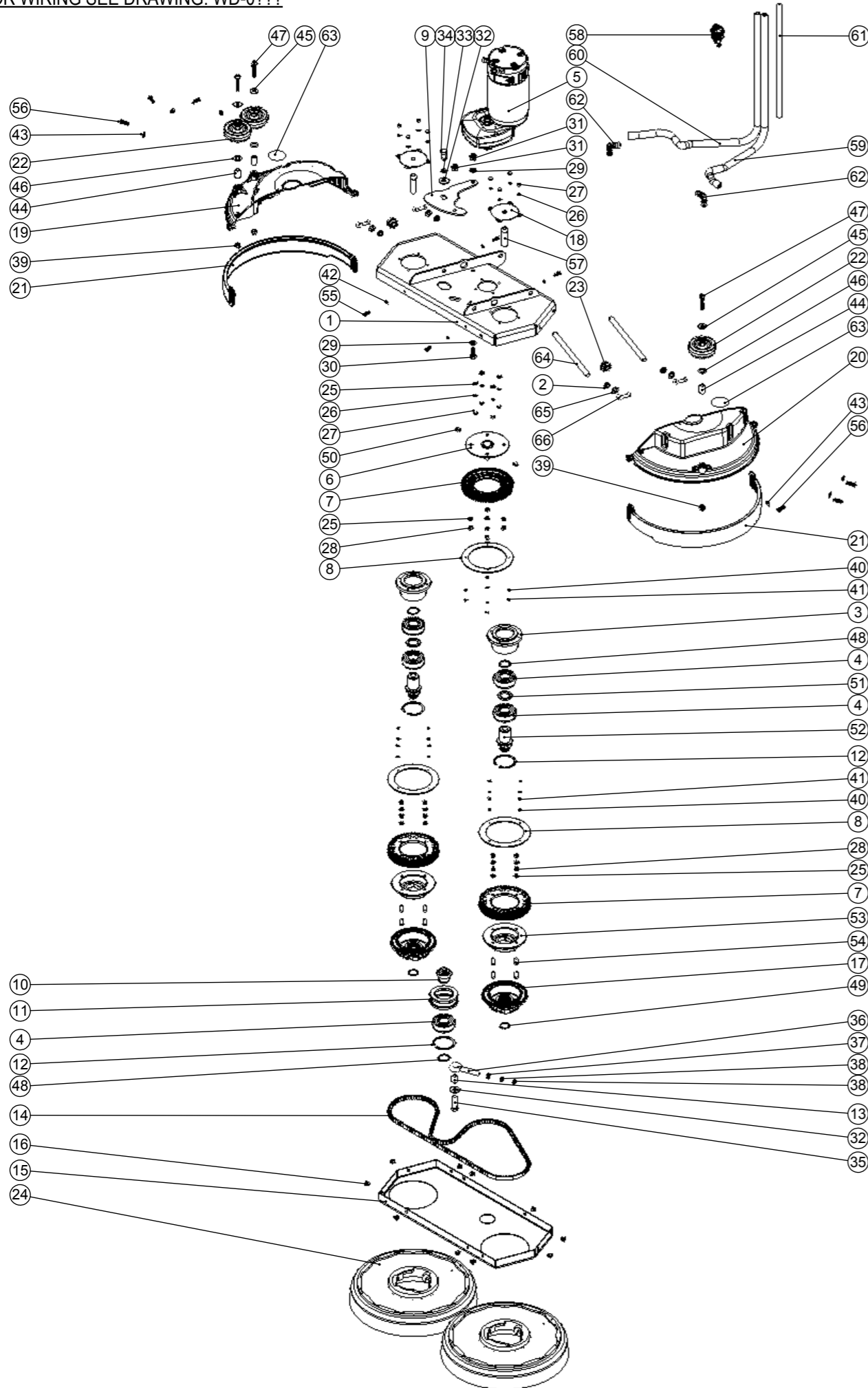
ITEM:	PART No:	DESCRIPTION	COMMENTS:	QTY.
1	304515	MINI RIDE ON CHASSIS WELD ASSEMBLY		1
2	903512	TWIN BRUSH DECK ASSY		1
3	323254	530MM ASI TRANSAXLE 21:1 HIGH SPEED (MK400)	310070 CHAIN TAIL BRAKE KIT	1
4	329780	TRANSAXLE CLAMP		2
5	291104	M8 X 20 COACH BOLT S/S		6
6	901209	200 X 50 TRACTION WHEEL (PLASTIC)		2
7	206936	UNIVERSAL JOINT		1
8	219784	M5 X 8MM LONG BLACKODISED GRUB SCREW		4
9	N/A	KEY WAY	C/W ITEM 7	2
10	208884	2 PART PRESSED FLANGE BEARING		1
11	208110	IGUS (R) 2 BOLT PLAIN BEARING 20MM I/D		1
12	392418	STEERING COLUMN SUPPORT BRKT		1
13	N/A	MINI RIDE ON STEERING ASSEMBLY EXP	SEE DRW-15527	1
14	208330	IGUS BEARING (GFM 101206)		12
15	291101	PIVOT ROD		2
16	219964	NYLON WASHER (18MM O/D X 10.4MM I/D X 3MM THICK)		6
17	291102	SMALL R PIN (S MASTERS 89100 SS)		4
18	208143	20MM GROMMET X 6MM PANEL THICKNESS		1
19	208986	IP RATED MICROSWITCH WITH ROLLER		2
20	392398	SWITCH PLATE		1
21	219889	19MM HEAVY DUTY CIRCLIP		2
22	219639	M8 STAINLESS STEEL NYLON INSERT NUT		8
23	219578	M8 FORM A STAINLESS STEEL WASHER		10
24	219501	M3 FORM A STAINLESS STEEL WASHER		6
25	291154	M3 NYLON INSERT NUT STAINLESS STEEL		2
26	291155	M3 X 20MM LONG POZI PAN SCREW STAINLESS STEEL		2
27	219898	M8 SINGLE COIL STAINLESS STEEL WASHER		6
28	291140	M8 X 20MM LG HEX HEAD SCREW STAINLESS STEEL C/W THREADLOCK		6
29	219870	M6 FORM A WASHER STAINLESS STEEL		15
30	219642	M6 STAINLESS STEEL NYLON INSERT NUT		14
31	219750	M8 HEADED NUTSERT		2
32	219560	M6 FORM B STAINLESS STEEL WASHER		4
33	219719	M6 X 16MM LONG HEXAGONAL STAINLESS STEEL HEAD BOLT		2
34	291103	M6 X 16 COACH BOLT S/S		4
35	237677	LATCH MOULDING		1
36	304513	DECK LINK & PEDAL ARM WELD ASSY		1
37	291097	38 X10MM BAR (E TYPE CLIP)		2
38	291098	94 X10MM BAR (E TYPE CLIP)		1
39	903860	PEDAL MOULDING (RED)		1
40	291107	E TYPE CLIP (TO SUIT 10mm BAR)		6
41	291116	M6 X 25 RIVET STUD		4
42	291099	CRO 8055 SQ. LIFT CABLE		1
43	392498	6MM SWITCH SPACER		2
44	291156	M3 X 30MM LONG POZI PAN SCREW STAINLESS STEEL		2
45	291157	M8 X 60MM LONG HEX BOLT STAINLESS STEEL		2
46	219877	M8 X 30 STAINLESS STEEL WASHER		4
47	206744	6MM X 6MM X 32MM FEATHER KEY		2
48	304516	MOOSE PLATE WELD ASSEMBLY		1
49	206953	DETENT PINS		1
50	208898	NYLON PULLEY 32MM OD		1
51	237676	MULTI BLOCK MOULDING		1
52	291100	SQUEEGEE PIVOT BAR		1
53	392436	PIVOT SIDE PLATE		2
54	291141	M10 X 25MM LG HEX HEAD SCREW STAINLESS STEEL C/W THREADLOCK		1
55	291163	NYLON WASHER 18MM O/D X 10.5MM I/D X 2MM		1
56	291021	M6 X 90MM LONG STAINLESS STEEL HEXAGONAL HEAD BOLT		3
57	392497	SWITCH SPRING PLATE		2
58	220007	BLACK CABLE TIE		2
59	392393	DECK LINK ARM		1

Numatic International Spare Parts

Model No: TWIN BRUSH DECK ASSY

NB: FOR WIRING SEE DRAWING: WD-0???

Internal Code: 903512
 DRAWING: DRW-21860 ISS:A08
 PRO 22/12/2016



Numatic International Spare Parts

Model No: TWIN BRUSH DECK ASSY

ITEM:	PART No:	DESCRIPTION	QTY.
1	903617	TWIN BRUSH DECK WELD ASSY ZINC PLATED	1
2	208330	IGUS BEARING (GFM 101206)	4
3	903420	BEARING HOUSING	2
4	208878	BEARING I/D30MM O/D62MM	5
5	205192	MRP6 IP20 AMER MOTOR	1
6	904836	BRUSH MOTOR PULLEY PLATE WELD ASSY ZINC PLATED	1
7	237680	LARGE PULLEY 56TH	3
8	903423	PULLEY FLANGE PLATE	3
9	903619	TENSIONER PIVOT PLATE ZINC PLATED	1
10	903419	TENSIONER SHAFT	1
11	903424	IDLER	1
12	230200	62MM INTERNAL CIRCLIP	3
13	903429	1/2 INCH DIA X 18G S/S TUBE (0.022)	1
14	903438	BELT (GATES GT3 - 1440 - 8MGT - 12)	1
15	903428	TWIN BRUSH DECK - MAIN PLATE COVER	1
16	900986	NYLON GROMMET NUT (PLASTIC INSERT TO SUIT No 8 PLASTITE SCREW)	10
17	230285	MODIFIED CHUCK (CRO)	2
18	903432	TWIN BRUSH WATER FEED PLATE	2
19	903433	TWIN BRUSH RH DECK MOULDING	1
20	903434	TWIN BRUSH LH DECK MOULDING	1
21	903437	TWIN BRUSH DECK SPLASH SKIRT	2
22	204068	3 INCH GREY WHEEL	3
23	208143	20MM GROMMET X 6MM PANEL THICKNESS	2
24	903449	370MM POLYSCRUB BRUSH	2
25	219870	M6 FORM A WASHER STAINLESS STEEL	16
26	219718	WASHER.M6.SPRING.STAINLESS STEEL	12
27	219719	M6 X 16MM LONG HEXAGONAL STAINLESS STEEL HEAD BOLT	12
28	219642	M6 STAINLESS STEEL NYLON INSERT NUT	12
29	219903	M10 FORM A STAINLESS STEEL WASHER	2
30	219909	M10 X 25MM LONG HEXAGONAL STAINLESS STEEL SCREW	1
31	219897	M10 STAINLESS STEEL NYLON INSERT NUT	2
32	291124	M10 PENNY WASHER STAINLESS STEEL	2
33	219899	M10 SINGLE COIL STAINLESS STEEL WASHER	1
34	291141	M10 X 25MM LG HEX HEAD SCREW STAINLESS STEEL C/W THREADLOCK	1
35	903430	M10 X 40MM LONG HEXAGONAL STAINLESS STEEL SCREW	1
36	903422	M8 X 80MM EYE BOLT ZINC PLATED	1
37	219578	M8 FORM A STAINLESS STEEL WASHER	1
38	219079	M8 PLAIN NUT	2
39	219639	M8 STAINLESS STEEL NYLON INSERT NUT	3
40	219688	M4 FORM A STAINLESS STEEL WASHER	12
41	291061	No6 X 1/2 INCH LONG POZI PAN PLASTITE SCREW (STAINLESS STEEL)	12
42	219355	M5 FORM A STAINLESS STEEL WASHER	4
43	219644	M5 FORM G STAINLESS STEEL WASHER	6
44	391224	1/2 INCH DIA X 18G S/S TUBE (0.026)	3
45	219716	M8 FORM G STAINLESS STEEL WASHER	3
46	219302	M12 FORM B STAINLESS STEEL WASHER	3
47	219822	M8 X 45MM LONG SOCKET BUTTON STAINLESS STEEL HEAD BOLT	3
48	903435	30MM EXTERNAL CIRCLIP	3
49	230048	26MM EXTERNAL CIRCLIP	2
50	291139	6MM X 16MM STAINLESS STEEL ROLL PIN	2
51	903439	SPACER O/D 40MM X I/D 30MM X 5MM	2
52	903421	BRUSH PULLEY SHAFT	2
53	903440	PULLEY MOUNTING ADAPTER	2
54	903441	M6 X 20MM LONG STAINLESS STEEL COUNTERSUNK POZI SCREW	8
55	219568	NO8.3/4 INCH LG.POZI-PAN.SCREW.STAINLESS STEEL.PLASTITE	4
56	219369	No8 X 1 INCH LONG POZI PAN STAINLESS STEEL PLASTITE SCREW	6
57	903446	MOTOR SHAFT INSERT	2
58	903445	FLOW DIVIDER ASSY	1
59	903447	LH SOLUTION TUBE	1
60	903448	RH SOLUTION TUBE	1
61	903463	VENT TUBE	1
62	903641	10MM HOSETAIL ELBOW	2
63	903845	DO NOT STAND HERE WARNING LABEL Ø50MM	2
64	903436	PIVOT ROD	2
65	219964	NYLON WASHER (18MM O/D X 10.4MM I/D X 3MM THICK)	4
66	291102	SMALL R PIN (S MASTERS 89100 SS)	4