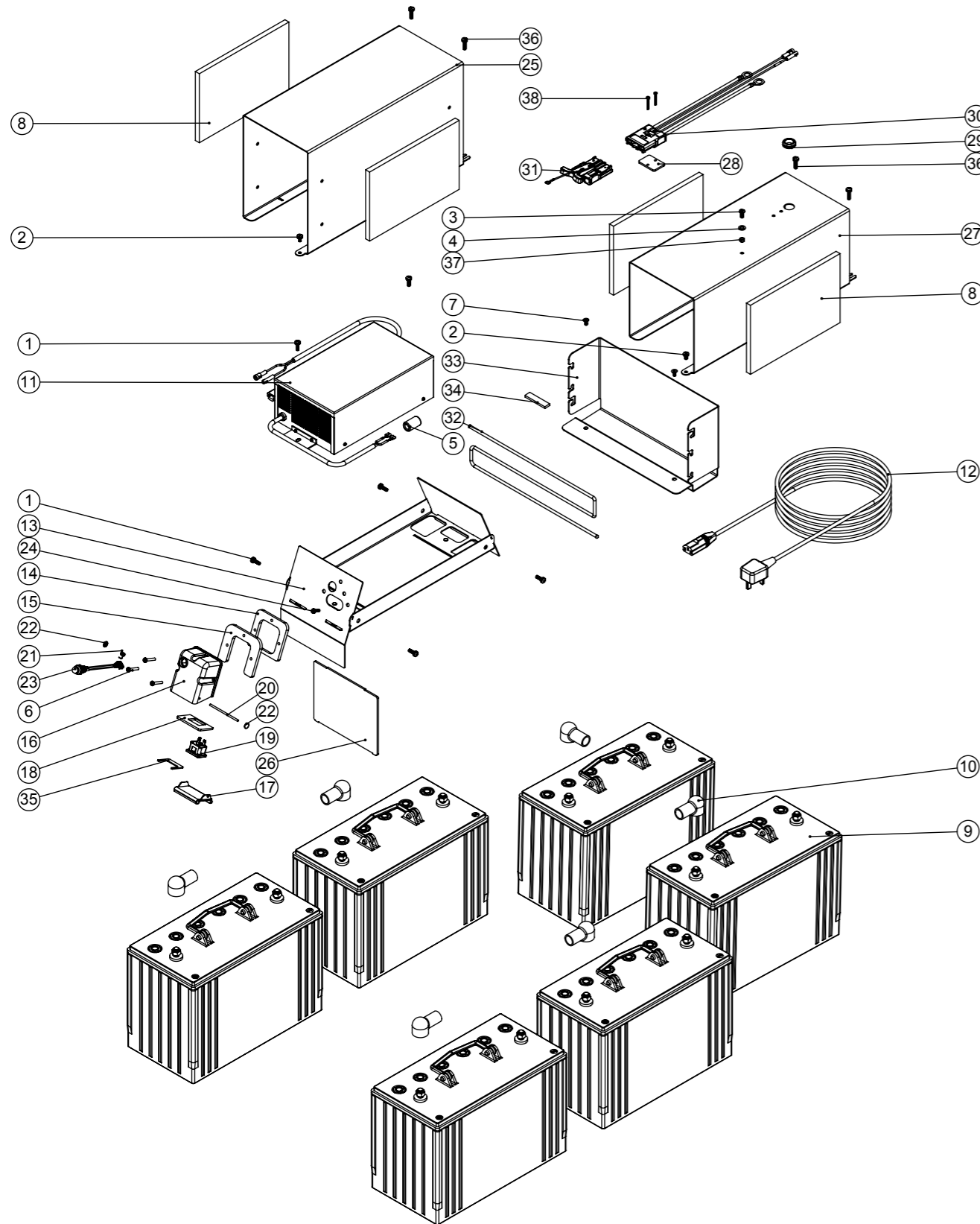


Numatic International Spare Parts

Model No: TTV678-300 CHARGER / CHARGER SPACER / BATTERIES ASSEMBLY EXPLODED DRAWING

Internal Code: 906732
 DRAWING: DRW-25880 ISS:A05
 PRO 15/09/2017

NB: FOR WIRING SEE DRAWING: WD-0359, DRW-15631, DRW-13416, DRW-14741



Numatic International Spare Parts

Model No: TTV678-300 CHARGER / CHARGER SPACER / BATTERIES ASSEMBLY EXPLODED DRAWING

ITEM NO.	PART NO:	DESCRIPTION	COMMENTS:	QTY.
1	291132	M5 X 16MM LONG STAINLESS STEEL POZI PAN SEMS SCREW		6
2	291135	M5 X 10MM LONG STAINLESS STEEL POZI PAN SEMS SCREW		2
3	219740	M5 X 12MM LONG STAINLESS STEEL POZI PAN SCREW	CHARGERLESS MACHINE	1
4	219493	M6 NYLON WASHER	CHARGERLESS MACHINE	1
5	230097	AXIAL FERRITE BEAD		1
6	291165	M4 X 25MM LONG POZI SCREW STAINLESS STEEL		3
7	291008	M5 X 10MM LONG POZI PAN COUNTERSUNK STAINLESS STEEL SCREW	CHARGERLESS MACHINE	2
8	208645	FOAM BATTERY SPACER		4
9	205112	100 AMP/HOUR REPLACEMENT BATTERY (C/W PACKING FOR 230138 BATTERY)		6
10	206861	RED PVC TERMINAL CAP		6
11	230189	220-240V MENTZER 30 AMP CHARGER (NO LIGHTS VERSION)	TTV678/300T	1
	230187	110-120V MENTZER 30 AMP CHARGER (NOLIGHTS VERSION)	TTV678/300T	1
	230143	220-240V MENTZER 35 AMP CHARGER	WITHOUT REMOTE INDICATOR	1
12	220386	UK TYPE CHARGING LEAD		1
	221079	EURO TYPE CHARGING LEAD		1
	220389	USA TYPE CHARGING LEAD		
13	404190	NUTSERTED TOP CHARGER TRAY WELD ASSEMBLY PAINTED SILVER GREY		1
14	329595	TOP SOCKET PLATE		1
15	392354	IEC CONNECTOR BOX SPACER PLATE		1
16	329355	SOCKET COVER MOULDING C/W LARGE MOULDED HOLE (WITH PROCESSED HOLES)	STANDARD MACHINE	1
	303629	SOCKET COVER MOULDING C/W LARGE MOULDED HOLE (WITH PROCESSED HOLES)	FLAME RETARDANT CSA SPEC	1
17	227781	FLAP MOULDING		1
18	329297	SOCKET MOUNTING PLATE		1
19	220391	3 PIN APPLIANCE SOCKET		1
20	390979	72MM LONG X 3MM DIAMETER STAINLESS STEEL BAR		1
21	219819	TORSION SPRING		1
22	219832	3MM DIAMETER STARLOCK		2
23	270193	NEON INDICATOR RED LENS 230V C/W LINK WIRES		1
	270195	NEON INDICATOR RED LENS 120V C/W LINK WIRES		1
24	219472	M4 X 16MM LONG POZI PAN SEMS SCREW		1
25	404186	CHARGER BOX		1
26	392346	CHARGER DEFLECTOR PLATE		1
27	304497	NUTSERTED CHARGER SPACER BOX PAINTED SILVER GREY	CHARGERLESS MACHINE	1
28	392370	3MM BLACK SBS CONNECTOR SPACER	CHARGERLESS MACHINE	1
29	219631	19MM GROMMET	CHARGERLESS MACHINE	1
30	323178	LOOM ASSEMBLY - 4 CIRCUIT - CHARGER/INHITIBT LEAD	CHARGERLESS MACHINE	1
31	323177	LOOM ASSEMBLY - 1 CIRCUIT - CHARGER/INHITIBT LEAD	CHARGERLESS MACHINE	1
32	208598	TTV678 POCKET BUNGEE CORD	CHARGERLESS MACHINE	1
33	304454	TTV678 POCKET PAINTED GREY - NUTSERTED	CHARGERLESS MACHINE	1
34	212262	50mm LONG -12MM X 4MM X 1500MM V6 OPEN CELL NATURAL SPONGE	CHARGERLESS MACHINE	1
35	901963	SECONDARY SPACER		1
36	291133	M5 X 20MM LONG STAINLESS STEEL POZI PAN SEMS SCREW		4
37	291035	M5 NYLON INSERT NUT (STAINLESS STEEL)		1
38	904052	M3 X 25MM LONG POZI PAN SCREW STAINLESS STEEL		2