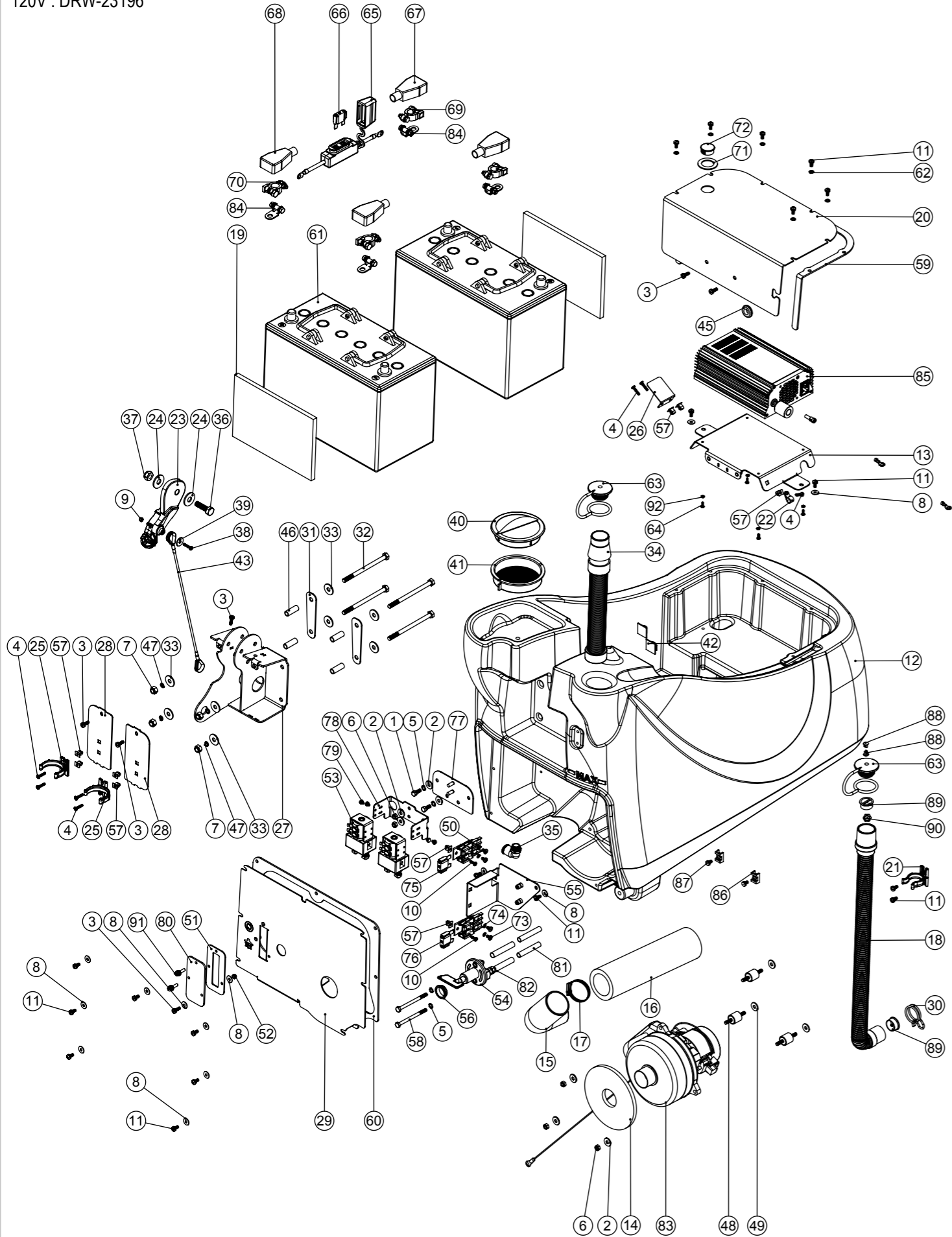


Numatic International Spare Parts

Model No: TGB4045/4055 EXPLODED VIEW: BOTTOM TANK

Internal Code: -
MS5 DRAWING: DRW-22919 ISS:A15

NB: FOR WIRING SEE DRAWINGS:
230V : DRW-22704
120V : DRW-23196



Numatic International Spare Parts

Model No: TGB4045/4055 EXPLODED VIEW: BOTTOM TANK

ITEM:	PART No:	DESCRIPTION	COMMENTS:	QTY
1	219719	M6 X 16MM LONG HEXAGONAL STAINLESS STEEL HEAD BOLT		2
2	219647	M6 FORM G STAINLESS STEEL WASHER		7
3	291132	M5 X 16MM LONG STAINLESS STEEL POZI PAN SEMS SCREW		6
4	219568	NO8 3/4 INCH LG.POZI-PAN.SCREW.STAINLESS STEEL.PLASTITE		7
5	902353	M6 EXTERNAL SHAKEPROOF WASHER STAINLESS STEEL		4
6	219642	M6 STAINLESS STEEL NYLON INSERT NUT		5
7	219639	M8 STAINLESS STEEL NYLON INSERT NUT		4
8	219644	M5 FORM G STAINLESS STEEL WASHER		13
9	219687	M4 STAINLESS STEEL NYLON INSERT NUT		1
10	219569	NO8 1/2 INCH . LG.POZI-PAN.SCREW.STAINLESS STEEL.PLASTITE		2
11	291131	M5 X 12MM LONG STAINLESS STEEL POZI PAN SEMS SCREW		19
12	237741	TTB.4055 BOTTOM TANK MOULDING HD (GRAPHITE)	WITH LOGO	1
	237742	TTB.4055 BOTTOM TANK MOULDING HD (GRAPHITE) EP	WITHOUT LOGO	1
13	903537	CHARGER PLATE - PAINTED SILVER		1
14	208477	MOTOR PAD		1
15	208571	DIP MOULDED ELBOW		1
16	208306	SILENCER FOAM TUBE		1
17	219529	STAINLESS STEEL HOSE CLAMP (45MM - 60MM)		1
18	213025	DUMP HOSE		1
19	208645	FOAM BATTERY SPACER		2
20	903536	CHARGER COVER PLATE PAINTED SILVER		1
21	901916	28mm HOSE CLIP		1
22	219393	P CLIP		1
23	902324	RED SQUEEGEE LIFT HANDLE		1
24	291124	M10 PENNY WASHER STAINLESS STEEL		2
25	237754	35-38MM HOSE CLIP		2
26	392356	TTB NORD CHARGER MIRROR PLATE		1
27	903612	TGB 3045 HANDLE MOUNT WELD ASSEMBLY Z/PL		1
28	903539	HANDLE MOUNT COVER PAINTED SILVER		2
29	903538	TGB4045/55 BACK PLATE PAINTED SILVER		1
30	902133	SPRING WIRE CLAMP (YDNAC-Y8010356)		1
31	392449	HANDLE MOUNT LINK PLATE PAINT SILVER		2
32	291126	M8 X 120 LONG HEX BOLT STAINLESS STEEL		4
33	219716	M8 FORM G STAINLESS STEEL WASHER		8
34	208960	TTB/TT FILLING HOSE		1
35	901539	ELBOW ANGLE CONNECTOR 3/8 PARALLEL THREAD C/W O-RING TO 12MM PUSH IN		1
36	219895	M10 X 35MM LONG HEXAGONAL STAINLESS STEEL SCREW		1
37	219897	M10 STAINLESS STEEL NYLON INSERT NUT		1
38	219686	M4 X 20MM LONG STAINLESS STEEL POZI PAN MACHINE SCREW		1
39	291118	M5 STAINLESS STEEL WASHER 19MM OD		1
40	903544	FILLER CAP LID (RED)		1
41	903543	CLEAN TANK INLET FILTER (RED)		1
42	220403	CABLE CLIP		2
43	208961	TTB LIFTING WIRE		1
44	219558	M5 STAINLESS STEEL NUTSERT		3
45	219735	GROMMET		1
46	305046	30MM PVC HOSE ID 8.0MM X 11.0MM		4
47	219898	M8 SINGLE COIL STAINLESS STEEL WASHER		4
48	902006	AV MOUNT MALE TO MALE M6 X 18 (BODY Ø20X20 - REF.P2004.020-020)		3
49	219008	M6 FORM G WASHER		3
50	230102	FUSE HOLDER RATED AT 60 AMPS		2
51	903601	FUSE PLATE GASKET		1
52	219633	M5 STAINLESS STEEL NYLON INSERT NUT		1
53	230111	CONTACTOR		2
54	206746	MASTER KEY SWITCH & KEY	206813 SPARE KEY	1
55	903568	ISOLATOR SUPPORT BRACKET PAINTED SILVER		1
56	902331	QF PVC GROMMET (26MM X 22MM X 2MM)		1
57	900986	NYLON GROMMET NUT (PLASTIC INSERT TO SUIT No 8 PLASTITE SCREW)		9
58	219915	M6 X 80MM LONG STAINLESS STEEL HEXAGONAL HEAD BOLT		2
59	903541	CHARGER COVER GASKET		1
60	903540	BACK PLATE GASKET		1
61	220867	12V TRACTION BLOCK BATTERY	80Ah VERSION	2
	205112	100 AMP/HOUR REPLACEMENT BATTERY (C/W PACKAGING FOR 230138 BATTERY)	100Ah VERSION	2
62	219355	M5 FORM A STAINLESS STEEL WASHER		6
63	903341	32MM HOSE CAP RED (C/W 8MM HOLE)		2
64	902533	No6 X 3/8 INCH LONG POZI PAN SELF TAP SCREW STAINLESS STEEL		4
65	903175	WATERPROOF BATTERY FUSE HOLDER.210.RING.RING		1
66	221047	40 AMP MAXI FUSE		1
67	208936	BLACK BATTERY TERMINAL COVER (415N8V14)		2
68	208935	RED BATTERY TERMINAL COVER (415N8V02)		2
69	220455	BATTERY TERMINAL CONVERTOR	80Ah VERSION	2
70	220454	POSITIVE BATTERY TERMINAL CONVERTER	80Ah VERSION	2
71	902328	WINDOW PLUG GASKET		1
72	206314	WINDOW PLUG		1
73	219864	M5 X 8MM LONG POZI-PAN SCREW Z/PL		4
74	219861	M5 SINGLE COIL STAINLESS STEEL WASHER		4
75	230104	30 AMP MAXI FUSE		1
76	221091	20 AMP MAXI FUSE		1
77	903571	CONTACTOR ADAPTER BRACKET ASSY PAINTED SILVER		1
78	903572	CONTACTOR BRACKET (TGB) PAINTED SILVER		1
79	219566	M4 X 6MM LONG POZI PAN SCREW		4
80	903602	FUSE COVER PLATE		1
81	903663	10MM O/D X 1MM WALL THICKNESS S/STEEL TUBE CUT TO LENGTH (0.060)		2
82	903664	60MM LONG X 10MM I/D BLACK PVC SLEEVING		2
83	903473	24V TANGENTIAL DISCHARGE 2-STAGE VAC MOTOR ASSEMBLY		1
84	902666	BATTERY CONNECTOR (M6 - M10)	100Ah VERSION	4
85	903933	CHARGER ASSEMBLY NORD 230V 10A		1
	903934	CHARGER ASSEMBLY NORD 120V 10A		1
86	220904	CABLE CLIP PLATFORM		2
87	291135	M5 X 10MM LONG STAINLESS STEEL POZI PAN SEMS SCREW		2
88	904403	BARBED RIVET BLACK		2
89	904108	FLOAT STOP MOULDING		2
90	904109	FLOAT MOULDING		1
91	904491	M5 x16MM SLOT KNURLED THUMB SCREW NYLON (WHITE)		2
92	904219	M3 STAINLESS STEEL EXTERNAL SHAKEPROOF WASHER		4