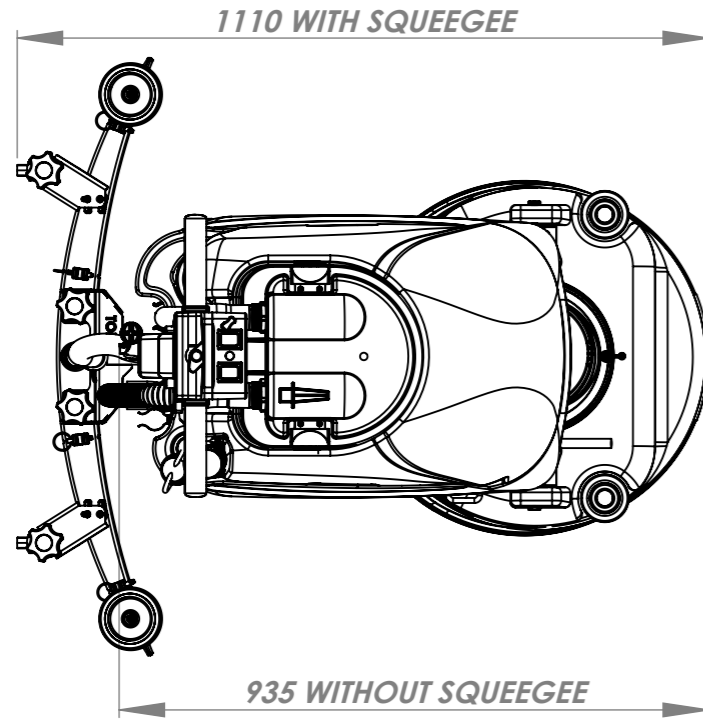
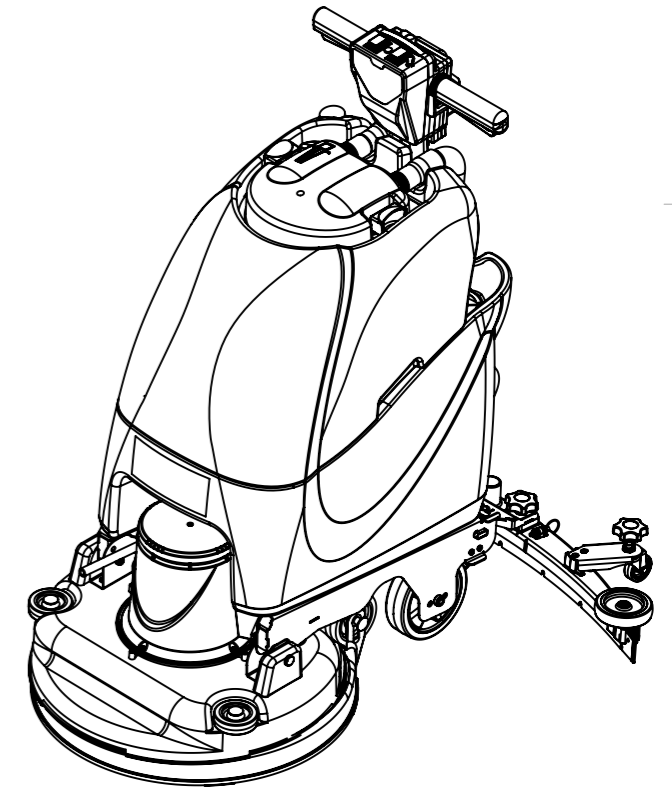
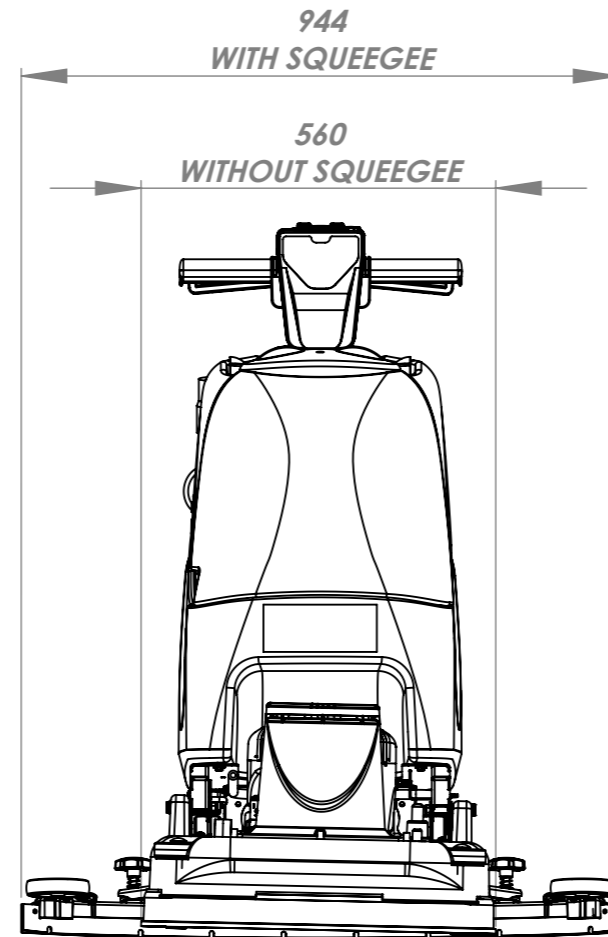
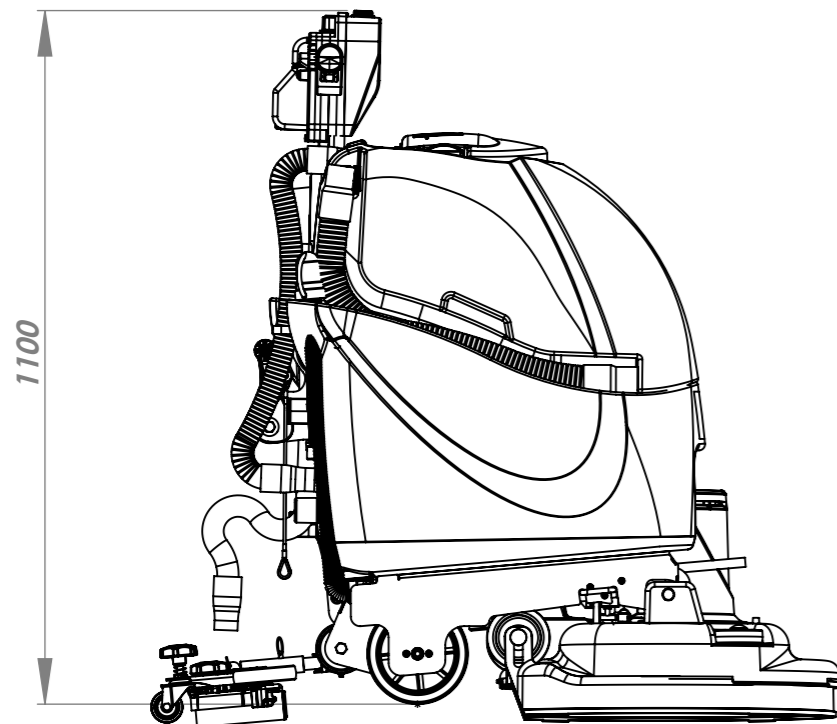


THIRD ANGLE PROJECTION



BRUSH WEIGHT	32.5kg - 38.5kg 71.6lbs - 84.9lbs	WATER FLOW - AVERAGE	0-2L/min 0-0.53 US gal/min
BRUSH PRESSURE	19 - 22 g/cm ² 0.275 - 0.327 lbs/in ²	GROSS WEIGHT (i.e. with liquid)	108kg 238lbs
PAD PRESSURE	16 - 19 g/cm ² 0.235 - 0.279 lbs/in ²	NETT WEIGHT (i.e. NO liquid)	68kg 150lbs
CLEANING AREA	970m ² /HOUR @ 2.0 kph 10440ft ² /HOUR @ 1.25 mph	CLEANING RANGE	42m 138ft
BRUSH MOTOR POWER	1500W	POWER SOURCE	230/120/100 V 50/60 Hz
BRUSH SPEED	150 rpm @ 50Hz 180 rpm @ 60Hz	HEIGHT	1100mm 43.3in
BRUSH DIA	550mm 22in	LENGTH	935mm (1110mm) 36.8in (43.7in)
PAD DIA	500mm 20in	WIDTH	560mm (944mm) 22in (37.1in)
VAC MOTOR MAX. POWER	1200W	SQUEEGEE LENGTH	944mm 37.1in
VAC MOTOR - SUCTION @ SQUEEGEE	240 mbar	SOUND PRESSURE LEVEL	76 ± 3dB
VAC MOTOR - AIRFLOW @ SQUEEGEE	35 l/sec 9.2 US gal/sec	VIBRATION LEVEL	HAV 1.4 m/s ² HAV 4.6 ft/s ²
WATER CAPACITY	40L 10.5 US gal	TT4055 (TT1120)	



Numatic
INTERNATIONAL LTD

MILLFIELD ROAD, CHARD, SOMERSET
TA20 2GB ENGLAND



THE EXAMPLE SHOWN DETAILS THE METHOD USED FOR IDENTIFYING CRITICAL (INSPECTION) DIMENSIONS WHERE APPLICABLE

TOLERANCES:- LINEAR: 0 DECIMAL PLACES = +/- 1.0mm
1 DECIMAL PLACE = +/- 0.25mm
2 DECIMAL PLACES = +/- 0.05mm
ANGULAR:- +/- 0.5 DEGREE

TITLE:- TT 4055 TECHNICAL SPECIFICATION

DIMENSIONS IN MILLIMETERS
MATERIAL:-
FINISH:-

ITEM No(s):- 244476

DRG No:- DRW-17072

All components must be ROHS compliant.

TOOL NUMBER:

WEIGHT:

DRAWN: rianp
APPD: NP
DATE: 22/11/2014

THIS DRAWING IS COPYRIGHT AND IS THE PROPERTY OF NUMATIC INTERNATIONAL LTD. AND MUST NOT BE USED WITHOUT THEIR KNOWLEDGE NOR COMMUNICATED TO ANY PERSON OR COMPANY.

PRINT SIZE

A3

A01 NEW DRAWING
REVISION: CHANGE DETAIL:

1

ST_Numatic_A3.sldprt 20030224

3

4

5

6