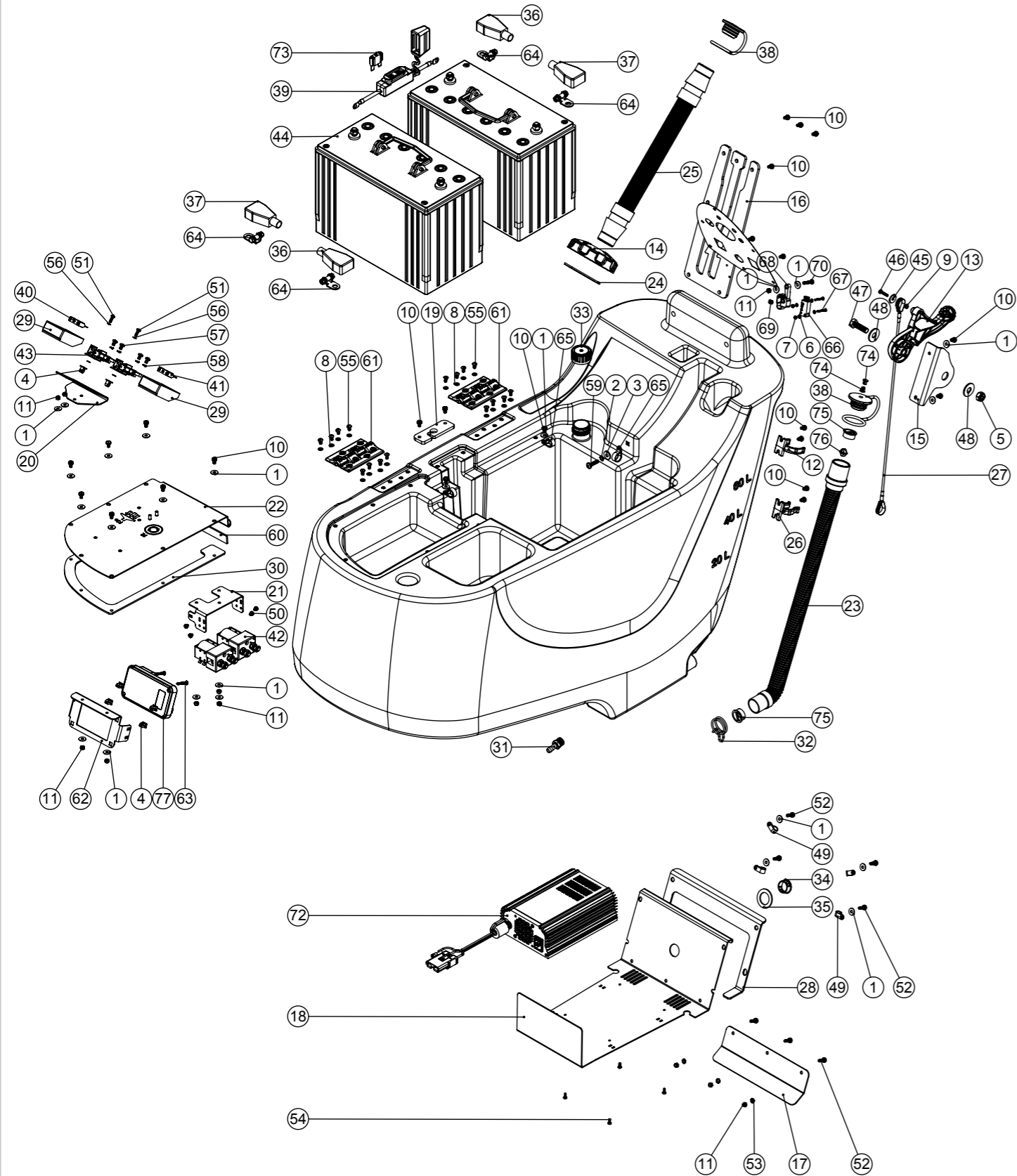


# Numatic International Spare Parts

**Model No:** TGB6055T EXPLODED VIEW : BOTTOM TANK

Internal Code: -  
DRAWING: DRW-21958 ISS:A06  
PRO 21/02/2017

NB: FOR WIRING SEE DRAWING:  
230V DRW-22424  
120V DRW-23894



# Numatic International Spare Parts

**Model No:** TGB6055T EXPLODED VIEW : BOTTOM TANK

ITEM:	PART No:	DESCRIPTION	COMMENTS:	QTY.
1	219644	M5 FORM G STAINLESS STEEL WASHER		24
2	902353	M6 EXTERNAL SHAKEPROOF WASHER STAINLESS STEEL		1
3	219647	M6 FORM G STAINLESS STEEL WASHER		1
4	900986	NYLON GROMMET NUT (PLASTIC INSERT TO SUIT No 8 PLASTITE SCREW)		6
5	219897	M10 STAINLESS STEEL NYLON INSERT NUT		1
6	219501	M3 FORM A STAINLESS STEEL WASHER		4
7	291154	M3 NYLON INSERT NUT STAINLESS STEEL		2
8	219355	M5 FORM A STAINLESS STEEL WASHER		16
9	219687	M4 STAINLESS STEEL NYLON INSERT NUT		1
10	291135	M5 X 10MM LONG STAINLESS STEEL POZI PAN SEMS SCREW		23
11	219633	M5 STAINLESS STEEL NYLON INSERT NUT		11
12	237754	35-38MM HOSE CLIP		1
13	902324	RED SQUEEGEE LIFT HANDLE		1
14	237174	FILLER CAP WITH FILLER HOSE HOLE		1
15	903270	FLOOR TOOL HANDLE BRACKET Z/PL		1
16	404142	TTV4555 FOOT PEDAL GUIDE PLATE - Z/PL		1
17	902257	CHARGER SPLASH SKIRT PAINTED SILVER		1
18	902258	ETB6055 NORD CHARGER PLATE PAINTED SILVER		1
19	902238	RETAINING PLATE		1
20	902254	FUSE BRACKET PAINTED SILVER		1
21	902253	CONTACTOR BRACKET PAINTED SILVER		1
22	902269	ELECTRONICS PLATE ASSY PAINTED SILVER		1
23	213025	DUMP HOSE		1
24	208564	FILLER CAP SEALING RING		1
25	206842	420MM LONG BLACK STRETCH HOSE C/W CUFFS		1
26	901916	28mm HOSE CLIP		1
27	208996	LIFTING WIRE TTV4555 / TTB6055		1
28	208337	CHARGER PLATE PUNCHED GASKET		1
29	208802	MAXI-FUSE HOLDER COVER		2
30	902066	PUMP PLATE GASKET (4555/6055)		1
31	219389	3/8 BSPP MALE C/W UNDERCUT & O RING TO 10.5MM HOSETAIL		1
32	902133	SPRING WIRE CLAMP (YDNAC-Y8010356)		1
33	208106	BOTTLE CAP		1
34	206314	WINDOW PLUG		1
35	902328	WINDOW PLUG GASKET		1
36	208936	BLACK BATTERY TERMINAL COVER (415N8V14)		2
37	208935	RED BATTERY TERMINAL COVER (415N8V02)		2
38	903341	32MM HOSE CAP RED (C/W 8MM HOLE)		2
39	903175	WATERPROOF BATTERY FUSE HOLDER.210.RING.RING		1
40	221091	20 AMP MAXI FUSE		1
41	230104	30 AMP MAXI FUSE		1
42	230111	CONTACTOR		2
43	230102	FUSE HOLDER RATED AT 60 AMPS		2
44	230138	98 A/H STUD TERMINAL GEL TYPE BATTERY	100Ah SPARE PART 205112	2
	220867	12V TRACTION BLOCK BATTERY	80Ah VERSION	2
45	291118	M5 STAINLESS STEEL WASHER 19MM OD		1
46	219686	M4 X 20MM LONG STAINLESS STEEL POZI PAN MACHINE SCREW		1
47	219895	M10 X 35MM LONG HEXAGONAL STAINLESS STEEL SCREW		1
48	291124	M10 PENNY WASHER STAINLESS STEEL		2
49	219393	P CLIP		4
50	219566	M4 X 6MM LONG POZI PAN SCREW		4
51	219569	NO8.1/2 INCH. LG.POZI-PAN.SCREW.STAINLESS STEEL.PLASTITE		2
52	291132	M5 X 16MM LONG STAINLESS STEEL POZI PAN SEMS SCREW		7
53	291020	M5 STAINLESS STEEL EXTERNAL SHAKEPROOF LOCK WASHER		3
54	902533	No6 X 3/8 INCH LONG POZI PAN SELF TAP SCREW STAINLESS STEEL		4
55	291004	M5 X 10MM LONG STAINLESS STEEL BUTTON HEAD SCREW		16
56	291145	M4 SHAKEPROOF WASHER STAINLESS STEEL		4
57	219864	M5 X 8MM LONG POZI-PAN SCREW Z/PL		4
58	219861	M5 SINGLE COIL STAINLESS STEEL WASHER		4
59	902232	M6 X 25MM LONG POZI PAN SCREW STAINLESS STEEL		1
60	902387	3MM X 19MM INSEAL TYPE 3259 (190MM)		1
61	303954	PLASTIC HINGE ASSEMBLY		2
62	904096	MOTOR CONTROLLER BRACKET PAINTED SILVER		1
63	219826	NO8 X 1 1/4 INCH LONG POZI DRIVE COUNTERSUNK HEAD SCREW		2
64	902666	BATTERY CONNECTOR (M6 - M10)	100Ah VERSION	4
	220455	BATTERY TERMINAL NEGATIVE (-)	80Ah VERSION	2
	220454	BATTERY TERMINAL POSITIVE (+)	80Ah VERSION	2
65	219514	P-CLIP		3
66	208748	IP RATED MICROSWITCH WITH TOGGLE		1
67	904052	M3 X 25MM LONG POZI PAN SCREW STAINLESS STEEL		2
68	227587	CENTRE SWITCH OPERATING LEVER MOULDING		1
69	219804	SWITCH COMPRESSION SPRING		1
70	219575	M5 X 25MM LONG POZI PAN STAINLESS STEEL SCREW		1
71	902159	ETB6055 GREY BOTTOM TANK MOULDING	WITH LOGO	1
	902160	ETB6055 GREY BOTTOM TANK MOULDING (EP)	WITHOUT LOGO	1
72	902988	230V/24V/10 AMP HF NORD CHARGER (PROCESSED 185MM LONG WIRING)	230V VERSION	1
	903735	120V/24V/10 AMP HF NORD CHARGER (PROCESSED 185MM LONG WIRING)	120V VERSION	1
73	221107	50 AMP MAXI FUSE (RED)		1
74	904403	BARBED RIVET BLACK		2
75	904108	FLOAT STOP MOULDING		2
76	904109	FLOAT MOULDING		1
77	904459	PROGRAMMED 70A MOTOR CONTROLLER (TGB)		1
78	904766	TGB6055T (TGB1620T) CONTROL PANEL OVERLAY		1