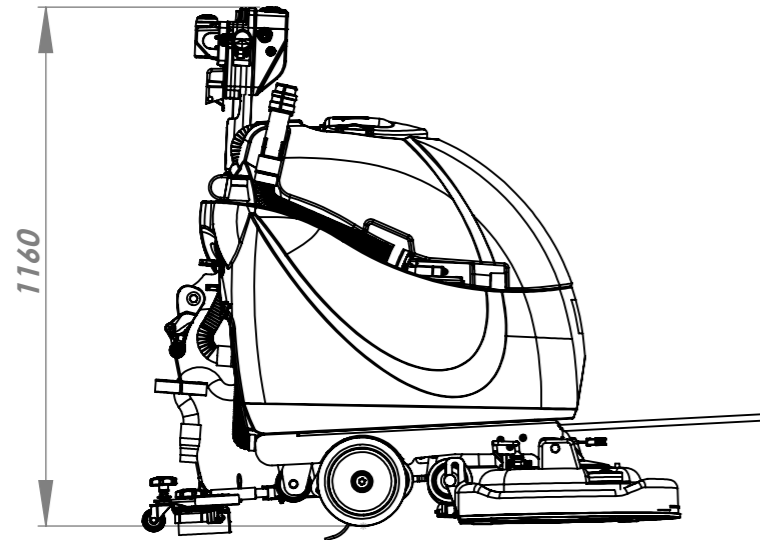
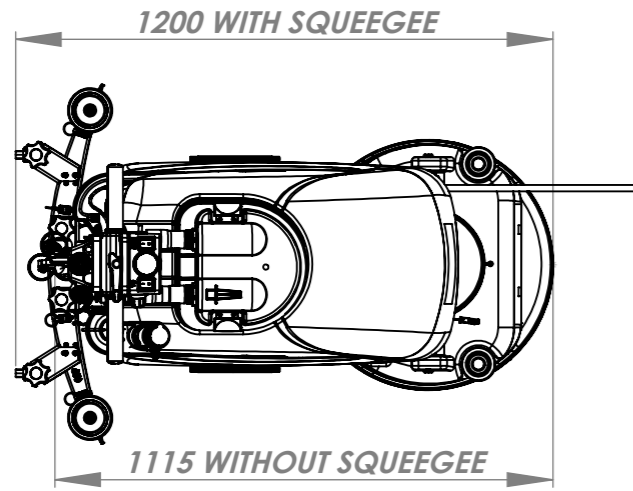
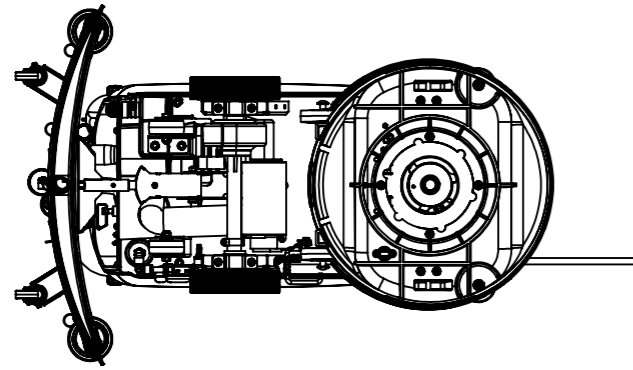
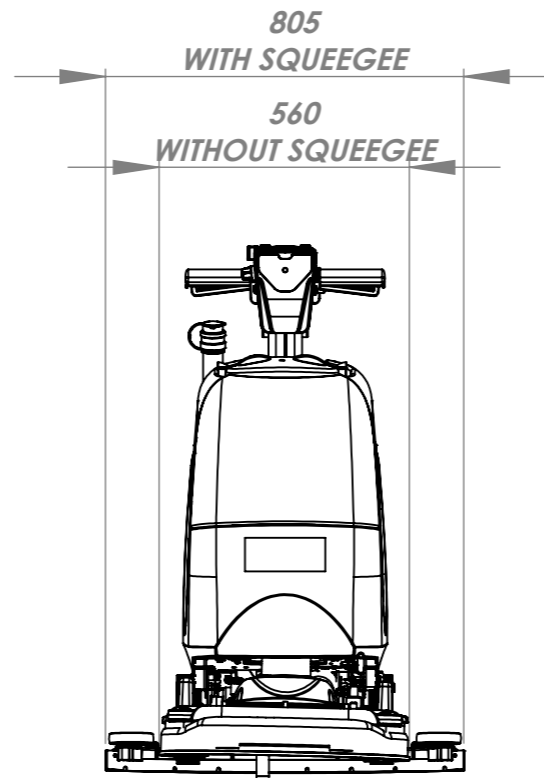


THIRD ANGLE PROJECTION

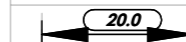


BRUSH WEIGHT	32kg 70.5lbs	GROSS WEIGHT (i.e. with liquid)	100Ah: 179.5kg 100Ah: 395.7lbs	80Ah: 170.5kg 80Ah: 375.8lbs
BRUSH PRESSURE	19 g/cm ² 0.270 lbs/in ²	NETT WEIGHT (i.e. NO liquid)	100Ah: 139.5kg 100Ah: 307.5lbs	80Ah: 130.5kg 80Ah: 287.7lbs
PAD PRESSURE	16 g/cm ² 0.227 lbs/in ²	POWER SOURCE	GELL BATTERY 24 VOLT (2x 12V) 100Ah / 80Ah	
CLEANING AREA	970m ² /HOUR @ 2 kph 10440ft ² /HOUR @ 1.25 mph	RUN TIME (BATTERY LIFE)	2.25h MAX	
BRUSH MOTOR POWER	300W	RECHARGING TIME	8 HRS	
BRUSH SPEED	100 rpm	INTERNAL CHARGER INPUT	350W	
BRUSH DIA	550mm 22in	INTERNAL CHARGER OUTPUT	10A DC	
PAD DIA	508mm 20in	BATTERY WEIGHT (TOTAL)	80Ah : 54.5kg 80Ah : 120lbs	100Ah: 63.5kg 100Ah: 140lbs
VAC MOTOR MAX. POWER	400W	HEIGHT	1160mm 45.6in	
VAC MOTOR - SUCTION @ SQUEEGEE	120 mbar	LENGTH	1115mm (1200mm) 43.9in (47.2in)	
VAC MOTOR - AIRFLOW @ SQUEEGEE	24.2 l/sec (6.4 US gal/sec)	WIDTH	560mm (805mm) 22in (31.7in)	
WATER CAPACITY	40L 10.5 US gal	SQUEEGEE LENGTH	805mm 31.7in	
WATER FLOW - AVERAGE	0-2 l/min 0-0.53 US gal/min	SOUND PRESSURE LEVEL	≤70 dB(A) : 66.8dB	
DRIVE MOTOR POWER	250W	VIBRATION LEVEL	HAV 0.59 m/s ² HAV 1.93 ft/s ²	
DRIVE SPEED	0-4 kph 0-2.5 mph	TGB4055T (TGB1120T)		
WATER INGRESS PROTECTION	IPX4			



Numatic
INTERNATIONAL LTD

MILLFIELD ROAD, CHARD, SOMERSET
TA20 2GB ENGLAND



THE EXAMPLE SHOWN DETAILS THE METHOD USED FOR IDENTIFYING CRITICAL (INSPECTION) DIMENSIONS WHERE APPLICABLE

TOLERANCES:- LINEAR: 0 DECIMAL PLACES = +/- 1.0mm
1 DECIMAL PLACE = +/- 0.25mm
(UNLESS OTHERWISE STATED) 2 DECIMAL PLACES = +/- 0.05mm
ANGULAR:- +/- 0.5 DEGREE

TITLE:-		TGB4055T TECHNICAL SPECIFICATION	
DIMENSIONS IN MILLIMETERS	MATERIAL:-	ITEM No(s):-	N/A
NOT TO SCALE	FINISH:-	DRG No:-	DRW-23499

All components must be ROHS compliant.

A04	NEW DRAWING	Internal Code:	DRAWN:	APPD:	DATE:	THIS DRAWING IS COPYRIGHT AND IS THE PROPERTY OF NUMATIC INTERNATIONAL LTD. AND MUST NOT BE USED WITHOUT THEIR KNOWLEDGE NOR COMMUNICATED TO ANY PERSON OR COMPANY.	PRINT SIZE
REVISION:	CHANGE DETAIL:	TBF	PB	-	23/11/2014		A3