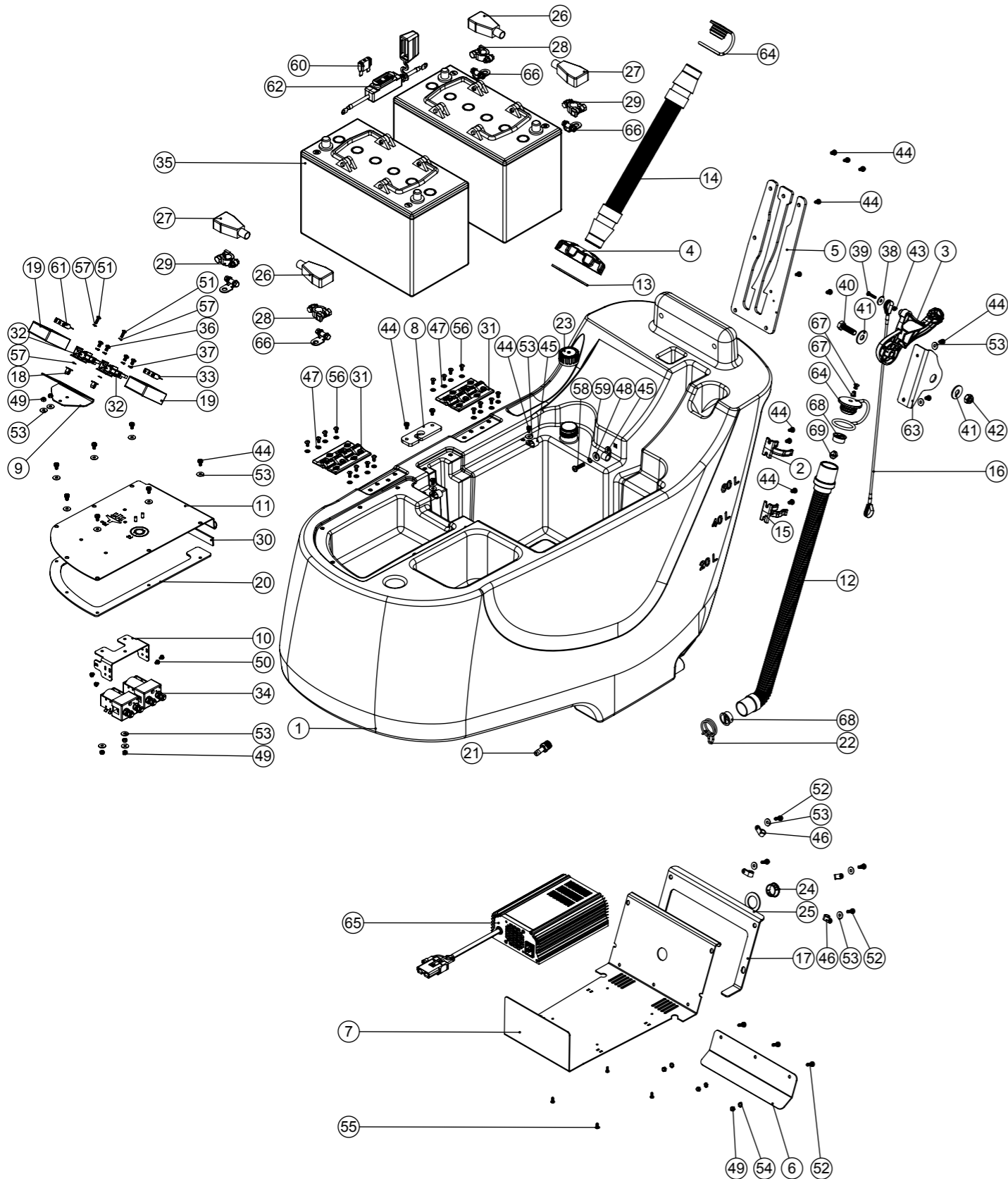


Numatic International Spare Parts

Model No: TGB6055 EXPLODED VIEW : BOTTOM TANK

NB: FOR WIRING SEE DRAWING: DRW-21948

Internal Code: -
MS5 DRAWING: DRW-21592 ISS:A14



Numatic International Spare Parts

Model No: TGB6055 EXPLODED VIEW : BOTTOM TANK

ITEM:	PART No:	Description	Comments	QTY
1	902160	ETB6055 GREY BOTTOM TANK MOULDING (EP)	WITHOUT LOGO	1
	902159	ETB6055 GREY BOTTOM TANK MOULDING	WITH LOGO	1
2	237754	35-38MM HOSE CLIP		1
3	902324	RED SQUEEGEE LIFT HANDLE		1
4	237174	FILLER CAP WITH FILLER HOSE HOLE		1
5	404142	TTV4555 FOOT PEDAL GUIDE PLATE - Z/P/L		1
6	902257	CHARGER SPLASH SKIRT PAINTED SILVER		1
7	902258	ETB6055 NORD CHARGER PLATE PAINTED SILVER		1
8	902238	RETAINING PLATE		1
9	902254	FUSE BRACKET PAINTED SILVER		1
10	902253	CONTACTOR BRACKET PAINTED SILVER		1
11	902269	ELECTRONICS PLATE ASSY PAINTED SILVER		1
12	213025	DUMP HOSE		1
13	208564	FILLER CAP SEALING RING		1
14	206842	420MM LONG BLACK STRETCH HOSE C/W CUFFS		1
15	901916	28mm HOSE CLIP		1
16	208996	LIFTING WIRE TTV4555 / TTB6055		1
17	208337	CHARGER PLATE PUNCHED GASKET		1
18	900986	NYLON GROMMET NUT (PLASTIC INSERT TO SUIT No 8 PLASTITE SCREW)		2
19	208802	MAXI-FUSE HOLDER COVER		2
20	902066	PUMP PLATE GASKET (4555/6055)		1
21	219389	3/8 BSPP MALE C/W UNDERCUT & O RING TO 10.5MM HOSETAIL		1
22	902133	SPRING WIRE CLAMP (YDNAC-Y8010356)		1
23	208106	BOTTLE CAP		1
24	206314	WINDOW PLUG		1
25	902328	WINDOW PLUG GASKET		1
26	208936	BLACK BATTERY TERMINAL COVER (415N8V14)		2
27	208935	RED BATTERY TERMINAL COVER (415N8V02)		2
28	220455	BATTERY TERMINAL CONVERTOR	80Ah VERSION	2
29	220454	POSITIVE BATTERY TERMINAL CONVERTER	80Ah VERSION	2
30	902387	3MM X 19MM INSEAL TYPE 3259 (190MM)		1
31	303954	PLASTIC HINGE ASSEMBLY		2
32	230102	FUSE HOLDER RATED AT 60 AMPS		2
33	230104	30 AMP MAXI FUSE		1
34	230111	CONTACTOR		2
35	220867	12V TRACTION BLOCK BATTERY	80Ah VERSION	2
	205112	100 AMP/HOUR REPLACEMENT BATTERY (C/W PACKAGING FOR 230138 BATTERY)	100Ah VERSION	2
36	219864	M5 X 8MM LONG POZI-PAN SCREW Z/P/L		4
37	219861	M5 SINGLE COIL STAINLESS STEEL WASHER		4
38	291118	M5 STAINLESS STEEL WASHER 19MM OD		1
39	219686	M4 X 20MM LONG STAINLESS STEEL POZI PAN MACHINE SCREW		1
40	219895	M10 X 35MM LONG HEXAGONAL STAINLESS STEEL SCREW		1
41	291124	M10 PENNY WASHER STAINLESS STEEL		2
42	219897	M10 STAINLESS STEEL NYLON INSERT NUT		1
43	219687	M4 STAINLESS STEEL NYLON INSERT NUT		1
44	291135	M5 X 10MM LONG STAINLESS STEEL POZI PAN SEMS SCREW		23
45	219465	P-CLIP		3
46	219393	P CLIP		4
47	219355	M5 FORM A STAINLESS STEEL WASHER		16
48	219647	M6 FORM G STAINLESS STEEL WASHER		1
49	219633	M5 STAINLESS STEEL NYLON INSERT NUT		8
50	219566	M4 X 6MM LONG POZI PAN SCREW		4
51	219569	NO8. 1/2 INCH. LG.POZI-PAN.SCREW.STAINLESS STEEL.PLASTITE		2
52	291132	M5 X 16MM LONG STAINLESS STEEL POZI PAN SEMS SCREW		7
53	219644	M5 FORM G STAINLESS STEEL WASHER		20
54	291020	M5 STAINLESS STEEL EXTERNAL SHAKEPROOF LOCK WASHER		3
55	902533	No6 X 3/8 INCH LONG POZI PAN SELF TAP SCREW STAINLESS STEEL		4
56	291004	M5 X 10MM LONG STAINLESS STEEL BUTTON HEAD SCREW		16
57	291145	M4 SHAKEPROOF WASHER STAINLESS STEEL		4
58	902232	M6 X 25MM LONG POZI PAN SCREW STAINLESS STEEL		1
59	902353	M6 EXTERNAL SHAKEPROOF WASHER STAINLESS STEEL		1
60	221047	40 AMP MAXI FUSE		1
61	221091	20 AMP MAXI FUSE		1
62	903175	WATERPROOF BATTERY FUSE HOLDER.210.RING.RING	230V	1
63	903270	FLOOR TOOL HANDLE BRACKET Z/P/L	120V	1
64	903341	32MM HOSE CAP RED (C/W 8MM HOLE)		2
65	902988	230V/24V/10 AMP HF NORD CHARGER (PROCESSED 185MM LONG WIRING)	230V	1
	903735	120V/24V/10 AMP HF NORD CHARGER (PROCESSED 185MM LONG WIRING)	120V	1
66	902666	BATTERY CONNECTOR (M6 - M10)	100Ah VERSION	4
67	904403	BARBED RIVET BLACK		2
68	904108	FLOAT STOP MOULDING		2
69	904109	FLOAT MOULDING		1