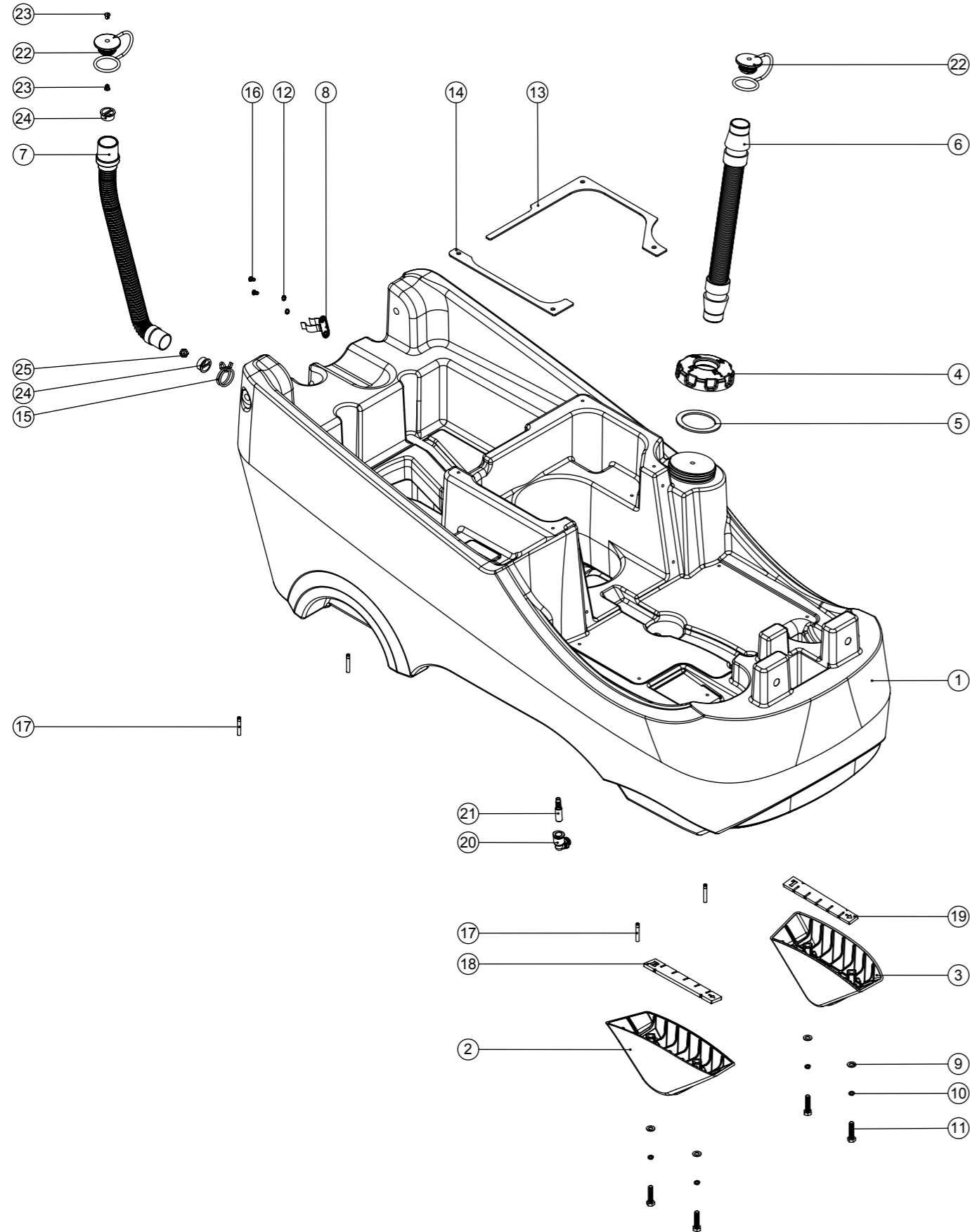


# Numatic International Spare Parts

**Model No:** CRO BOTTOM TANK ASSEMBLY

Internal Code: 599465, 904099  
 DRAWING: DRW-17607 ISS:A11  
 MS5 22/12/16

NB: FOR WIRING SEE DRAWING: N/A



# Numatic International Spare Parts

**Model No:** CRO BOTTOM TANK ASSEMBLY

ITEM:	PART No:	DESCRIPTION	COMMENTS:	QTY.
1	237682	MINI RIDE ON BOTTOM TANK		1
2	237684	BOTTOM TANK SCUFF MOULDING RHS		1
3	237685	BOTTOM TANK SCUFF MOULDING LHS		1
4	237174	FILLER CAP WITH FILLER HOSE HOLE		1
5	208564	FILLER CAP SEALING RING		1
6	206842	420MM LONG BLACK STRETCH HOSE C/W CUFFS		1
7	208938	25MM X 455MM LG DUMP HOSE		1
8	206818	HOSE CLIP		1
9	219578	M8 FORM A STAINLESS STEEL WASHER		4
10	219898	M8 SINGLE COIL STAINLESS STEEL WASHER		4
11	291112	M8 X 40 LONG HEX BOLT STAINLESS STEEL		4
12	291020	M5 STAINLESS STEEL EXTERNAL SHAKEPROOF LOCK WASHER		2
13	203027	CRO PUMP PLATE GASKET LH		1
14	203028	CRO PUMP PLATE GASKET RH		1
15	902133	SPRING WIRE CLAMP (YDNAC-Y8010356)		1
16	291004	M5 X 10MM LONG STAINLESS STEEL BUTTON HEAD SCREW		2
17	291158	M6 X 40MM LONG GRUB SCREW STAINLESS STEEL C/W THREADLOCK		4
18	392464	RHS SCUFF MOULDING SPACER		1
19	392465	LHS SCUFF MOULDING SPACER		1
20	901539	ELBOW ANGLE CONNECTOR 3/8 PARALLEL THREAD C/W O-RING TO 12MM PUSH IN		1
21	901534	PUSH IN BARBED CONNECTOR - 12MM OD 8MM ID		1
22	903341	32MM HOSE CAP RED (C/W 8MM HOLE)		2
23	904403	BARBED RIVET BLACK		2
24	904108	FLOAT STOP MOULDING		2
25	904109	FLOAT MOULDING		1