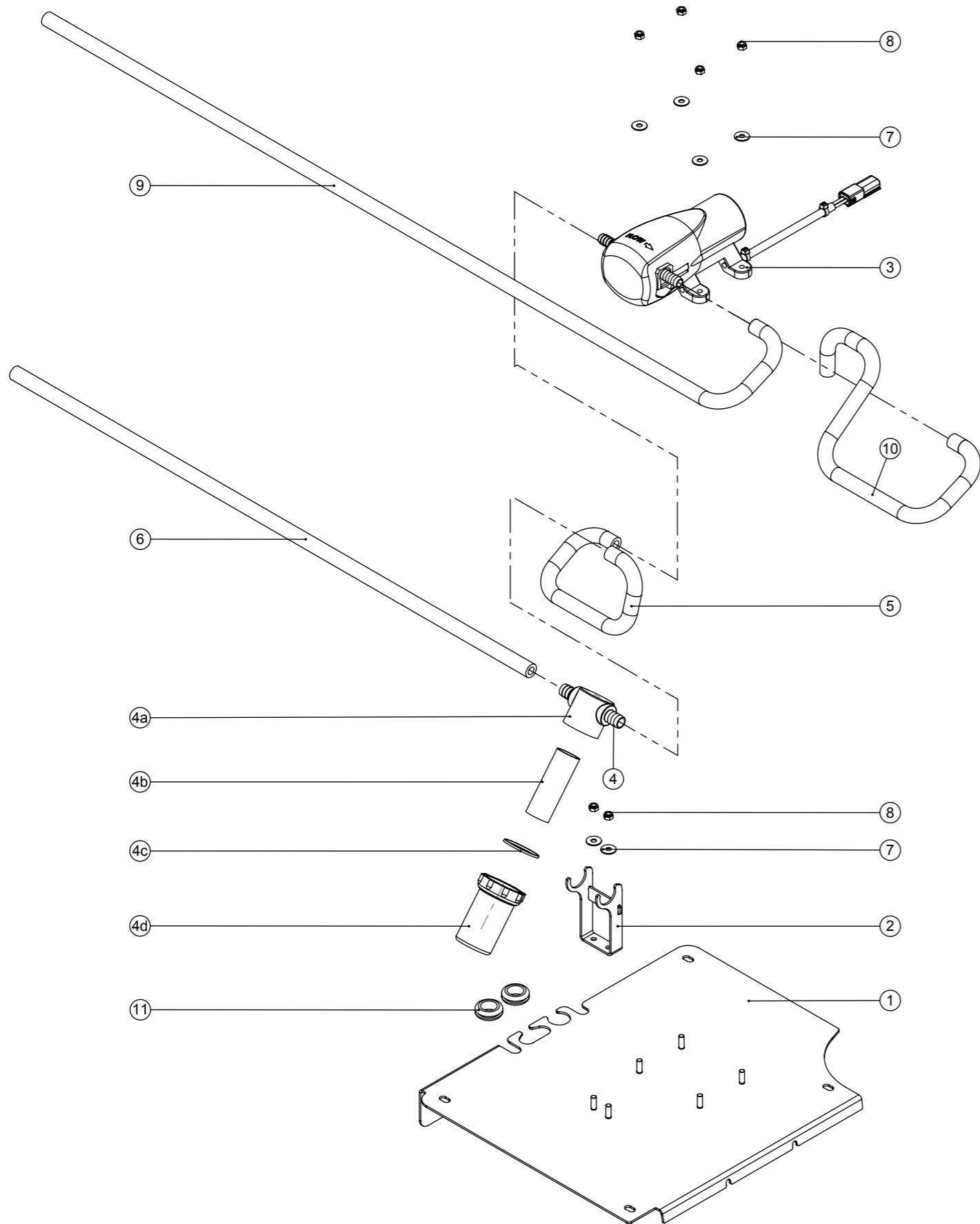


Numatic International Spare Parts

Model No: CRO PUMP AND FILTER SUB ASSY

Internal Code: N/A
 MS5 DRAWING: DRW-17506 ISS:A09
 21/09/2016

NB: FOR WIRING SEE DRAWING: N/A



Numatic International Spare Parts

Model No: CRO PUMP AND FILTER SUB ASSY

ITEM:	PART No:	DESCRIPTION	COMMENTS:	QTY.
1	392419	CRO PUMP AND FILTER PLATE CLINCH STUD ASSY		1
2	304521	FILTER PLATE ASSEMBLY		1
3	230278	WATER PUMP ASSEMBLY		1
4	208888	EXTENDED STRAINER	INCLUDE 4a,4b,4c,4d	1
4a	208827	STRAINER BLACK TOP	SPARE ITEM	1
4b	208889	EXTENDED STRAINER 50 MESH SCREEN	SPARE ITEM	1
4c	208830	STRAINER GASKET	SPARE ITEM	1
4d	208890	EXTENDED STRAINER CLEAR BOWL	SPARE ITEM	1
5	391525	CRO FILTER TO PUMP TUBE 300MM LG		1
6	391526	CRO TANK TO FILTER TUBE 700MM LG		1
7	219644	M5 FORM G STAINLESS STEEL WASHER		6
8	219633	M5 STAINLESS STEEL NYLON INSERT NUT		6
9	391527	CRO PUMP TO BRUSH DECK TUBE 1030MM LG	CRO8055 ONLY	1
10	904296	CRO PUMP TO FLOW DIVIDER TUBE 470MM LG	CRO8072 ONLY	1
11	219934	GROMMET	ONLY ONE GROMMET RQUIRED FOR CRO8072	2