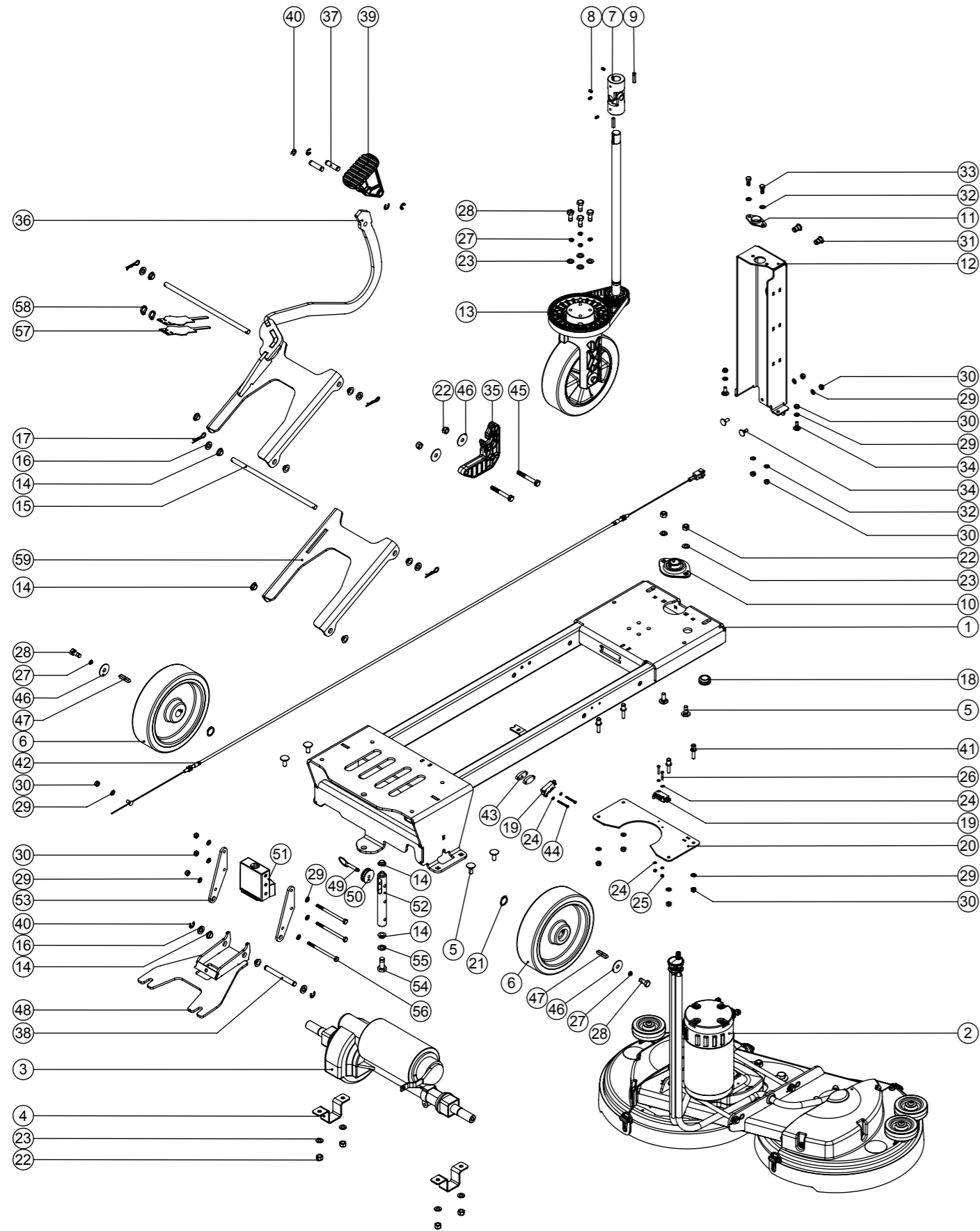


# Numatic International Spare Parts

**Model No:** CRO8072 CHASSIS GENERAL ASSEMBLY EXP

NB: FOR WIRING SEE DRAWING: WD-0???

Internal Code: 903579  
 MS5 DRAWING: DRW-23947 ISS:A01  
 26/10/16



# Numatic International Spare Parts

**Model No:** CRO8072 CHASSIS GENERAL ASSEMBLY EXP

ITEM:	PART No:	DESCRIPTION	COMMENTS:	QTY.
1	304515	MINI RIDE ON CHASSIS WELD ASSEMBLY		1
2	903512	TWIN BRUSH DECK ASSY		1
3	323254	530MM ASI TRANSAXLE 21:1 HIGH SPEED (MK400)	310070 CHAIN TAIL BRAKE KIT	1
4	329780	TRANSAXLE CLAMP		2
5	291104	M8 X 20 COACH BOLT S/S		6
6	901209	200 X 50 TRACTION WHEEL (PLASTIC)		2
7	206936	UNIVERSAL JOINT		1
8	219784	M5 X 8MM LONG BLACKODISED GRUB SCREW		4
9	N/A	KEY WAY	C/W ITEM 7	2
10	208884	2 PART PRESSED FLANGE BEARING		1
11	208110	IGUS (R) 2 BOLT PLAIN BEARING 20MM I/D		1
12	392418	STEERING COLUMN SUPPORT BRKT		1
13	N/A	MINI RIDE ON STEERING ASSEMBLY EXP	SEE DRW-15527	1
14	208330	IGUS BEARING (GFM 101206)		12
15	291101	PIVOT ROD		2
16	219964	NYLON WASHER (18MM O/D X 10.4MM I/D X 3MM THICK)		6
17	291102	SMALL R PIN (S MASTERS 89100 SS)		4
18	208143	20MM GROMMET X 6MM PANEL THICKNESS		1
19	208986	IP RATED MICROSWITCH WITH ROLLER		2
20	392398	SWITCH PLATE		1
21	219889	19MM HEAVY DUTY CIRCLIP		2
22	219639	M8 STAINLESS STEEL NYLON INSERT NUT		8
23	219578	M8 FORM A STAINLESS STEEL WASHER		10
24	219501	M3 FORM A STAINLESS STEEL WASHER		6
25	291154	M3 NYLON INSERT NUT STAINLESS STEEL		2
26	291155	M3 X 20MM LONG POZI PAN SCREW STAINLESS STEEL		2
27	219898	M8 SINGLE COIL STAINLESS STEEL WASHER		6
28	291140	M8 X 20MM LG HEX HEAD SCREW STAINLESS STEEL C/W THREADLOCK		6
29	219870	M6 FORM A WASHER STAINLESS STEEL		15
30	219642	M6 STAINLESS STEEL NYLON INSERT NUT		14
31	219750	M8 HEADED NUTSERT		2
32	219560	M6 FORM B STAINLESS STEEL WASHER		4
33	219719	M6 X 16MM LONG HEXAGONAL STAINLESS STEEL HEAD BOLT		2
34	291103	M6 X 16 COACH BOLT S/S		4
35	237677	LATCH MOULDING		1
36	304513	DECK LINK & PEDAL ARM WELD ASSY		1
37	291097	38 X10MM BAR (E TYPE CLIP)		2
38	291098	94 X10MM BAR (E TYPE CLIP)		1
39	903860	PEDAL MOULDING (RED)		1
40	291107	E TYPE CLIP (TO SUIT 10mm BAR)		6
41	291116	M6 X 25 RIVET STUD		4
42	291099	CRO 8055 SQ. LIFT CABLE		1
43	392498	6MM SWITCH SPACER		2
44	291156	M3 X 30MM LONG POZI PAN SCREW STAINLESS STEEL		2
45	291157	M8 X 60MM LONG HEX BOLT STAINLESS STEEL		2
46	219877	M8 X 30 STAINLESS STEEL WASHER		4
47	206744	6MM X 6MM X 32MM FEATHER KEY		2
48	304516	MOOSE PLATE WELD ASSEMBLY		1
49	206953	DETENT PINS		1
50	208898	NYLON PULLEY 32MM OD		1
51	237676	MULTI BLOCK MOULDING		1
52	291100	SQUEEGEE PIVOT BAR		1
53	392436	PIVOT SIDE PLATE		2
54	291141	M10 X 25MM LG HEX HEAD SCREW STAINLESS STEEL C/W THREADLOCK		1
55	291163	NYLON WASHER 18MM O/D X 10.5MM I/D X 2MM		1
56	291021	M6 X 90MM LONG STAINLESS STEEL HEXAGONAL HEAD BOLT		3
57	392497	SWITCH SPRING PLATE		2
58	220007	BLACK CABLE TIE		2
59	392393	DECK LINK ARM		1