

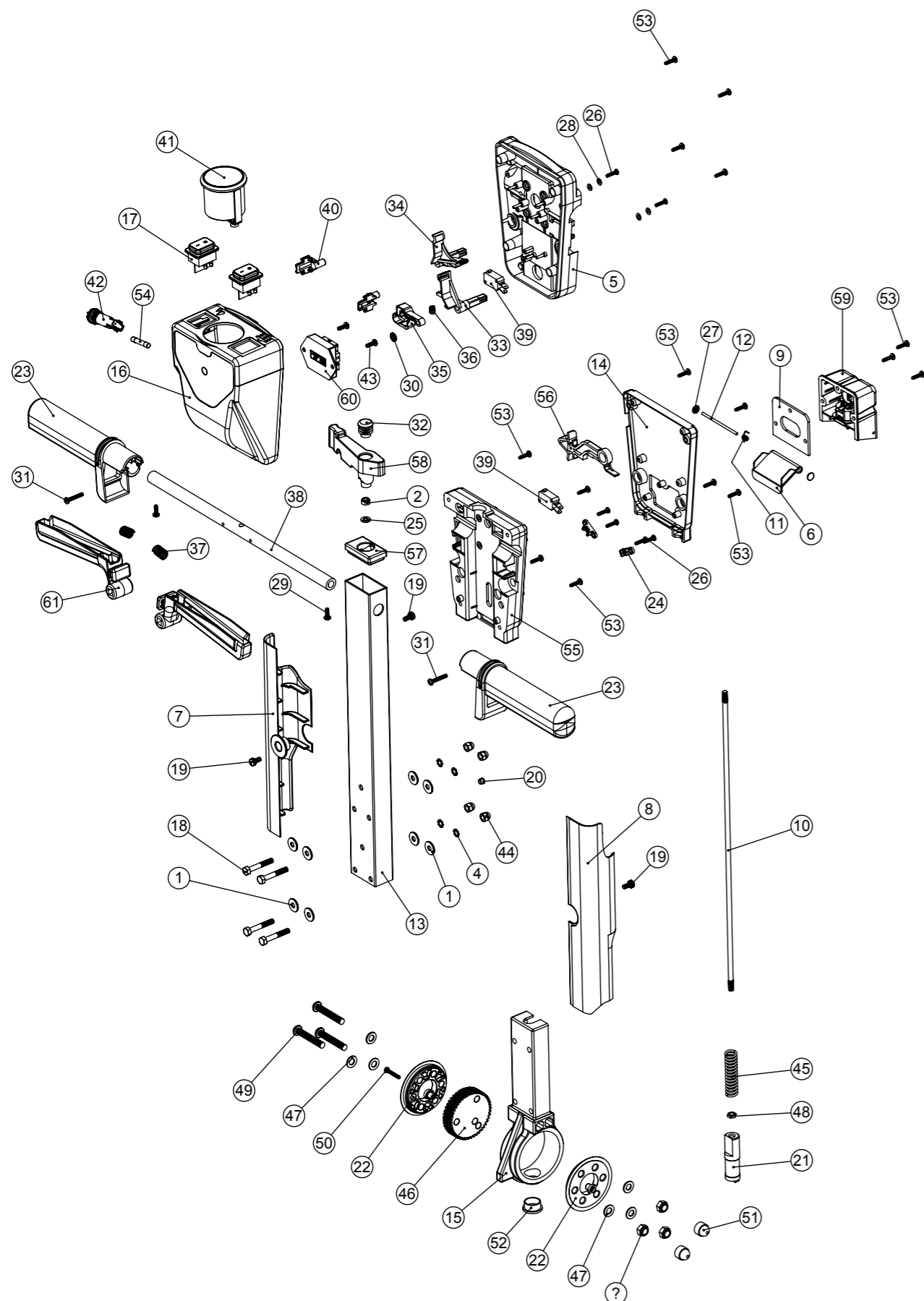
Numatic International Spare Parts

Model No: TGB 3045/4045/4055 (& HGB) HANDLE ASSEMBLY EXPLODED VIEW

Internal Code: 903636
 DRAWING: DRW-22934 ISS:A11
 MS5 05/01/2017

NB: FOR TGB & HGB 3045 WIRING SEE DRAWING: DRW-22779

NB: FOR TGB 4045/4055 WD: DRW-22704



Numatic International Spare Parts

Model No: TGB 3045/4045/4055 (& HGB) HANDLE ASSEMBLY EXPLODED VIEW

Provisional

ITEM:	PART No:	DESCRIPTION	COMMENTS:	QTY.
1	219647	M6 FORM G STAINLESS STEEL WASHER		8
2	219642	M6 STAINLESS STEEL NYLON INSERT NUT		1
3	219639	M8 STAINLESS STEEL NYLON INSERT NUT	TORQUE 1.5-2NM	3
4	902353	M6 EXTERNAL SHAKEPROOF WASHER STAINLESS STEEL		4
5	227576	FRONT INNER HALF MOULDING	STANDARD MACHINE	1
	229508	FLAME RETARDANT FRONT INNER HALF MOULDING	FLAME RETARDENT 120V (+HGB)	1
6	227781	FLAP MOULDING		1
7	237692	HANDLE CABLE COVER L/H	HGB USE 904907	1
8	237693	HANDLE CABLE COVER R/H	HGB USE 904908	1
9	202105	SOCKET COVER SEALING GASKET		1
10	229461	440MM HANDLE LOCKING ROD		1
11	219819	TORSION SPRING		1
12	390979	72MM LONG X 3MM DIAMETER STAINLESS STEEL BAR		1
13	903603	TGB/TTG 430MM PROCESSED ALI HANDLE PAINT SILVER		1
14	303509	MODIFIED REAR COVER	STANDARD MACHINE	1
	303628	FLAME RETARDANT MODIFIED REAR COVER MOULDING	FLAME RETARDENT 120V (+HGB)	1
15	900398	HANDLE CASTING MACHINED (HNS VERSION)		1
16	903556	TGB HANDLE FRONT COVER TFPP	STANDARD MACHINE	1
	903560	TGB HANDLE FRONT COVER FRPP	FLAME RETARDENT 120V (+HGB)	1
17	902235	SWITCH DPST RED ILLUMINATED WITH MEMBRANE 24V		2
18	291125	M6 X 40 LONG HEX BOLT STAINLESS STEEL		4
19	291131	M5 X 12MM LONG STAINLESS STEEL POZI PAN SEMS SCREW		3
20	229009	BLANKING PLUG		1
21	229073	GEAR LOCKING PIN		1
22	900396	ADJUSTMENT GEAR SPACER		2
23	227580	HAND GRIP MOULDING	HGB USE 237544	2
24	229669	LOLINE HANDLE CABLE CLAMP		2
25	219493	M6 NYLON WASHER		1
26	219107	NO6.5/8 INCH LG.POZI-PAN.SCREW.Z/PL.PLASTITE		6
27	219832	3MM DIAMETER STARLOCK		2
28	219206	M4 FORM A WASHER		4
29	219270	No8 X 1/2 INCH LONG POZI PAN SELF TAP SCREW		2
30	219805	4MM SPIREFIX		1
31	219811	NO8 X 1 INCH LONG POZI-PAN SELF TAP SCREW		2
32	20638V	19MM BLACK TUBE END STOP		1
33	227585	LEFT HAND SWITCH OPERATING LEVER MOULDING		1
34	227586	RIGHT HAND SWITCH OPERATING LEVER MOULDING		1
35	227587	CENTRE SWITCH OPERATING LEVER MOULDING		1
36	219804	SWITCH COMPRESSION SPRING		1
37	219803	TRIGGER COMPRESSION SPRING		2
38	338269	CROSS TUBE		1
39	229483	SNAP ACTION SWITCH		2
40	903558	TGB HANDLE BOSS		2
41	902532	BATTERY DISCHARGE INDICATOR + HOUR METER 24V		1
42	903032	BULGIN PANEL MOUNT FUSEHOLDER		1
43	219569	NO8.1/2 INCH. LG.POZI-PAN.SCREW.STAINLESS STEEL.PLASTITE		2
44	219764	M6 STAINLESS STEEL DOME NUT		4
45	229138	SPRING		1
46	900397	MINI ADJUSTMENT GEAR		1
47	219578	M8 FORM A STAINLESS STEEL WASHER		6
48	219099	M6 HALF NUT		1
49	219922	M8 X 50MM LONG SOCKET BUTTON HEAD STAINLESS STEEL BOLT		3
50	291150	NO6 X 1 INCH LONG POZI PAN SCREW S/S		1
51	903260	BOLT AND NUT CAP		2
52	229099	25MM DIA HOLE PLUG		1
53	219370	No8 X 5/8 INCH LONG PLASTITE STAINLESS STEEL SCREW		15
54	903066	FUSE 2.5A (6.3x32)		1
55	227577	REAR INNER HALF MOULDING	STANDARD MACHINE	1
	229509	FLAME RETARDANT REAR INNER HALF MOULDING	FLAME RETARDENT 120V (+HGB)	1
56	227584	INTERLOCK LEVER MOULDING		1
57	903546	HANDLE PLUG MOULDING (RED)		1
58	903545	ADJUSTMENT LEVER MOULDING (RED)		1
59	904030	240V EMI FILTER WITH SOCKET COVER ASSEMBLY (PROCESSED)	240V VERSION	1
	904031	120V EMI FILTER WITH SOCKET COVER ASSEMBLY (PROCESSED)	120V VERSION	1
60	903766	DMH Terminal Block PCB Assembly		1
61	903547	TRIGGER MOULDING (RED)		2