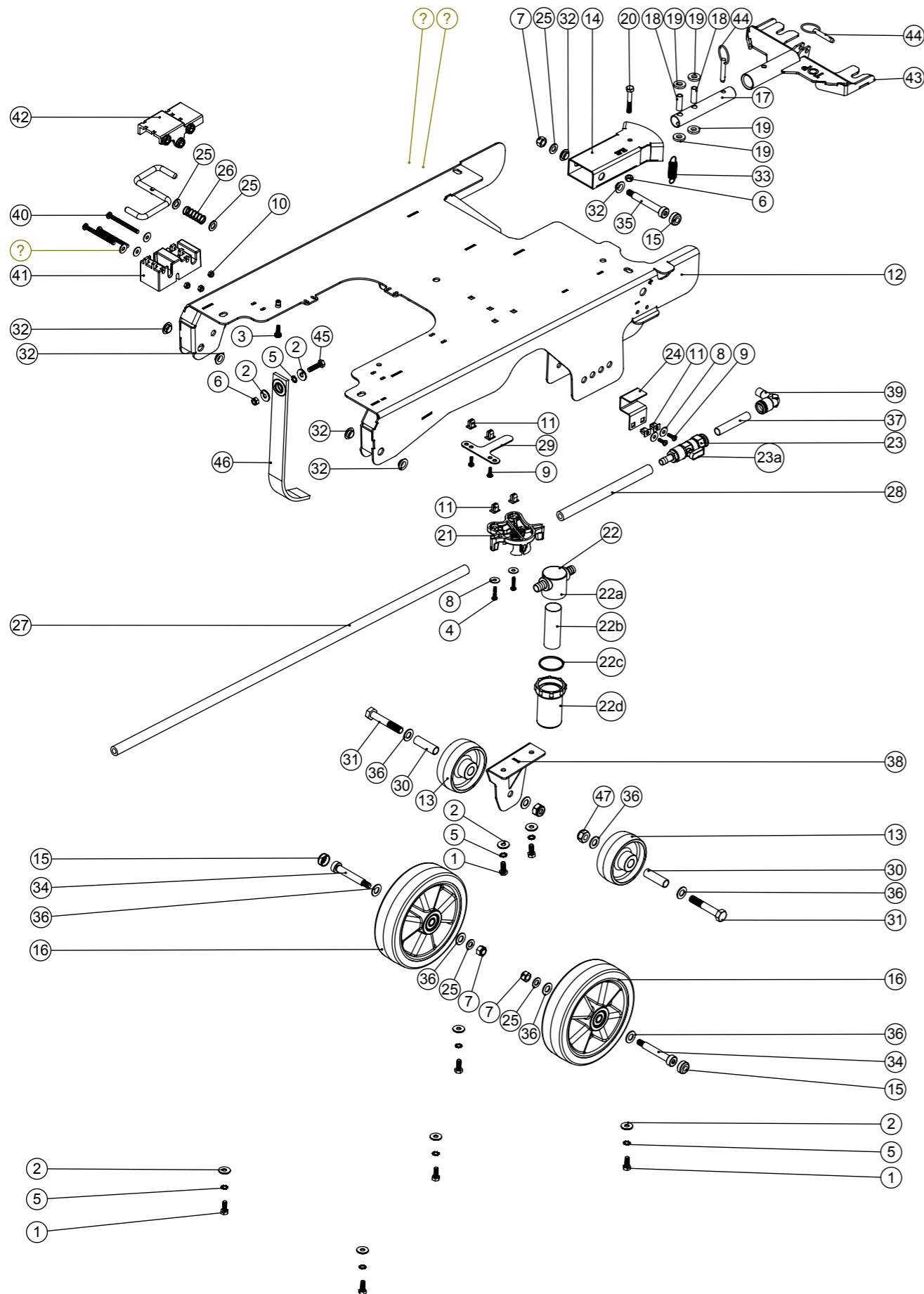


Numatic International Spare Parts

Model No: TGB4045/4055 EXPLODED VIEW: CHASSIS

Internal Code: -
DRAWING: DRW-22935 ISS:A07
PRO 02/02/2017

NB: FOR WIRING SEE DRAWING: N/A



Numatic International Spare Parts

Model No: TGB4045/4055 EXPLODED VIEW: CHASSIS

ITEM:	PART No:	DESCRIPTION	COMMENTS:	QTY
1	219719	M6 X 16MM LONG HEXAGONAL STAINLESS STEEL HEAD BOLT		7
2	219647	M6 FORM G STAINLESS STEEL WASHER		9
3	291132	M5 X 16MM LONG STAINLESS STEEL POZI PAN SEMS SCREW		1
4	219568	NO8.3/4 INCH LG.POZI-PAN.SCREW.STAINLESS STEEL.PLASTITE		2
5	902353	M6 EXTERNAL SHAKEPROOF WASHER STAINLESS STEEL		8
6	219642	M6 STAINLESS STEEL NYLON INSERT NUT		2
7	219639	M8 STAINLESS STEEL NYLON INSERT NUT		3
8	219644	M5 FORM G STAINLESS STEEL WASHER		7
9	219569	NO8.1/2 INCH. LG.POZI-PAN.SCREW.STAINLESS STEEL.PLASTITE		4
10	219633	M5 STAINLESS STEEL NYLON INSERT NUT		3
11	900986	NYLON GROMMET NUT (PLASTIC INSERT TO SUIT No 8 PLASTITE SCREW)		6
12	903559	TGB/4045/4055 CHASSIS WELD ASSY (12SWG M/S) PAINT SILVER		1
13	206713	80MM DIAMETER WHITE WHEEL		2
14	304359	TT/TTB/4045/4055 SQUEEGEE MOUNT WELD ASSEMBLY		1
15	237632	SHOULDER BOLT COVER		3
16	208638	160mm WHEEL WITH POLYURETHENE TYRE		2
17	304356	FLOOR TOOL PIVOT TUBE		1
18	206954	SPIRO SPACER		2
19	206964	SLIDE NYLON SPACER		4
20	291125	M6 X 40 LONG HEX BOLT STAINLESS STEEL		1
21	901006	FILTER MOUNTING BRACKET		1
22	208888	EXTENDED STRAINER		1
22a	208827	STRAINER BLACK TOP	SPARE PART	1
22b	208889	EXTENDED STRAINER 50 MESH SCREEN	SPARE PART	1
22c	208830	STRAINER GASKET	SPARE PART	1
22d	208890	EXTENDED STRAINER CLEAR BOWL	SPARE PART	1
23	901542	12MM PUSH FIT TO 10MM HOSE TAIL BALL VALVE ASSEMBLY		1
23a	901544	TAP HANDLE C/W COVER AND M3X6MM SCREW (SPARE ITEM)	SPARE PART	1
24	392314	10MM TAP BRACKET		1
25	219578	M8 FORM A STAINLESS STEEL WASHER		5
26	208578	DECK LOCK SPRING		1
27	391453	SILICON TUBE 750MM LONG X 8MM I/D X 3.2MM WALL SECTION		1
28	391452	SILICON TUBE 8MM I/D X 3.2MM WALL SECTION (CUT 190MM)		1
29	321902	SILENCER CLAMP		1
30	391440	1/2 INCH X 18G X 41MM LONG STAINLESS STEEL SPACER TUBE		2
31	219894	M10 X 60MM LONG HEXAGONAL STAINLESS STEEL BOLT		2
32	208312	IGUS BEARING (GFM 101205)		6
33	208619	FLOOR TOOL SPRING		1
34	291057	M8 X 10 X 55MM LONG HEX SOCKET SHOULDER BOLT		2
35	208574	M8 X 10 X 60MM LONG HEX SOCKET SHOULDER BOLT		1
36	219903	M10 FORM A STAINLESS STEEL WASHER		8
37	901553	NYLON TUBE 12MM OD X 10MM ID (65MM)		1
38	903611	TGB TRANSPORT WHEEL BRACKET WELD ASSEMBLY PAINT SILVER		1
39	901545	ELBOW ANGLE CONNECTOR 12MM PUSH IN TO 12MM STEM		1
40	901558	M5 X 60MM STAINLESS STEEL POZI PAN MACHINE SCREW		3
41	901280	LATCH BLOCK BOTTOM MOULDING		1
42	901279	LATCH BLOCK TOP MOULDING		1
43	304466	FLOOR TOOL BRACKET ASSEMBLY (TT/TTB4045/4055)		1
44	206953	DETENT PINS		2
45	219925	M6 x 25MM LONG STAINLESS STEEL HEX SCREW		1
46	903683	ANTI-STATIC STRAP (CUT TO LENGHT: 270MM LONG)		1
47	219897	M10 STAINLESS STEEL NYLON INSERT NUT		2
48	904440	DECK LATCH BAR		1
49	219558	M5 STAINLESS STEEL NUTSERT		1